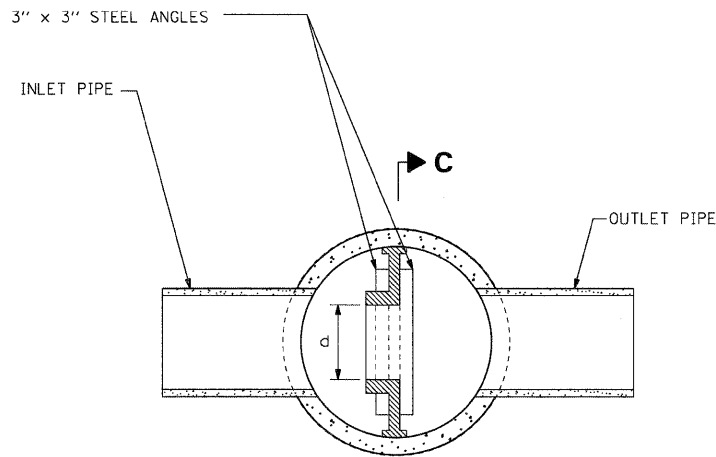
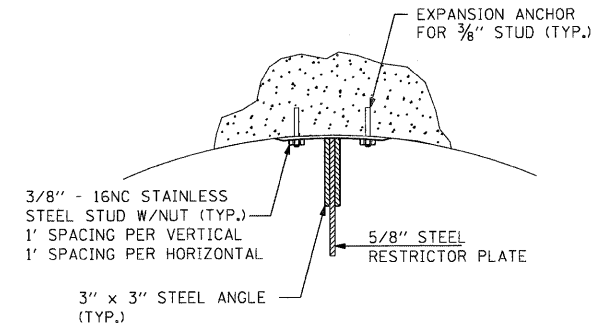


PLAN



PLAN VIEW



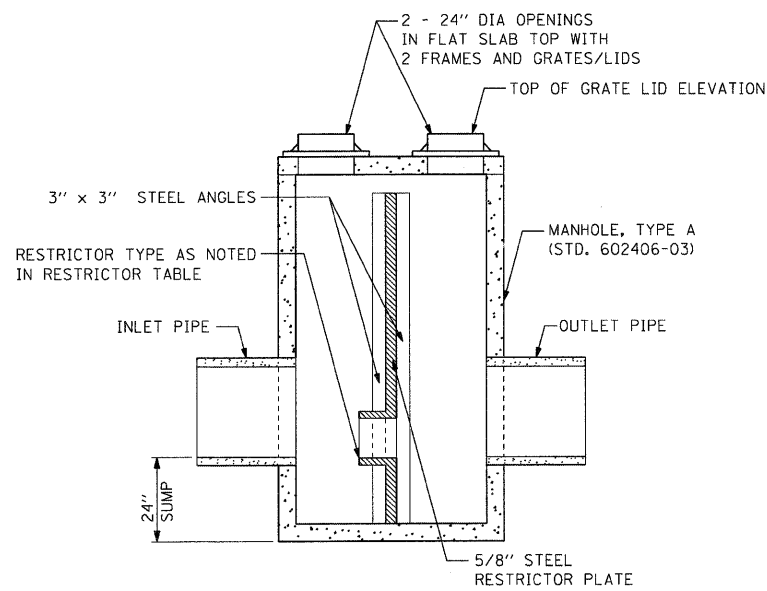
ANGLE FASTENER DETAIL

NOTES:

1. ALL STEEL ANGLES AND PLATES TO BE GALVANIZED AFTER FABRICATION.

2. ALL RESTRICTOR PLATES, ANGLES AND HARDWARE TO BE INCLUDED IN THE COST OF THE MANHOLE.

3. BASIS OF PAYMENT: "MANHOLES, TYPE A, 6FT-DIAMETER, WITH 2 TYPE 1 FRAME, CLOSED LID, RESTRICTOR PLATE" EACH.

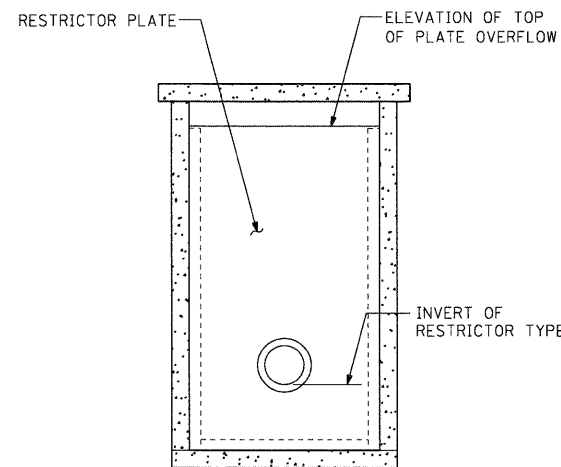


SECTION A-A

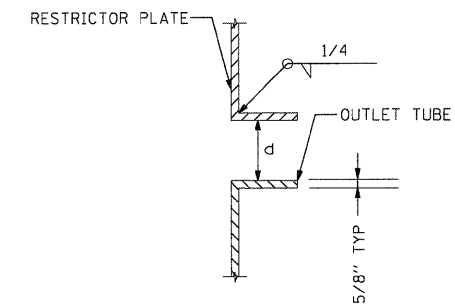
MANHOLE WITH RESTRICTOR PLATE

N.T.S.

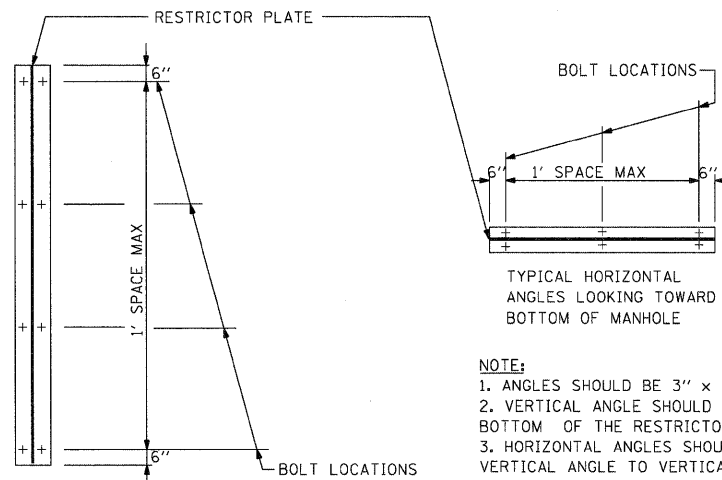
STR. ID	STATION OFFSET	MANHOLE DIAMETER	FRAME AND GRATE	RESTRICTOR TYPE	INSIDE RESTRICTOR TYPE DIA	INVERT OF RESTRICTOR TYPE	ELEVATION OF TOP OF PLATE OVERFLOW
121	154+43, 214.6' RT	6'	TYPE 1	TUBE	32"	400.35	411.5



SECTION C-C



INLET TUBE DETAIL



STEEL ANGLE BOLTING DETAILS

NOTE:

1. ANGLES SHOULD BE 3" x 3" x 3/8".
2. VERTICAL ANGLE SHOULD EXTEND FROM THE BOTTOM OF THE RESTRICTOR PLATE TO THE TOP.
3. HORIZONTAL ANGLES SHOULD EXTEND FROM VERTICAL ANGLE TO VERTICAL ANGLE.

\S:\0244\VA\VAULT\_ID-TRANS\_07\2202\28668-001\CIVIL\CAD\99 ALL CONTRACTS\CONNSHEETS CONTRACT 05\DECENN-05-SHT-DRAINAGE7.DGN  
 BONDHUJIO  
 6-03-2010, 14:05:50  
 \S:\0244\VA\VAULT\_ID-TRANS\_07\2202\28668-001\CIVIL\CAD\99 ALL CONTRACTS\CONNSHEETS CONTRACT 05\DECENN-05-SHT-DRAINAGE7.DGN  
 BONDHUJIO  
 6-03-2010, 14:05:50

FILE NAME =	USER NAME = #USER#	DESIGNED - MFM	REVISED -	<b>STATE OF ILLINOIS</b> <b>DEPARTMENT OF TRANSPORTATION</b> I-70 CONNECTION	<b>DETENTION BASIN</b> <b>MANHOLE WITH RESTRICTOR PLATE</b>			F.A.P. RTE.	SECTION N/A	COUNTY	TOTAL SHEETS	SHEET NO.
#FILEL#	PLOT SCALE = #SCALE#	DRAWN - MFM	REVISED -		998	82-2-1HVB	ST. CLAIR	285	79			
TENG	PLOT DATE = #DATE#	CHECKED - TKL	REVISED -		SCALE: N.T.S. SHEET NO. OF SHEETS STA. TO STA.			CONTRACT NO. 76C44				
TENG & ASSOCIATES, INC. ENGINEERS/ARCHITECTS/PLANNERS CHICAGO, ILLINOIS	DATE - 06/04/10	REVISIED -			FED. ROAD DIST. NO.		ILLINOIS FED. AID PROJECT					