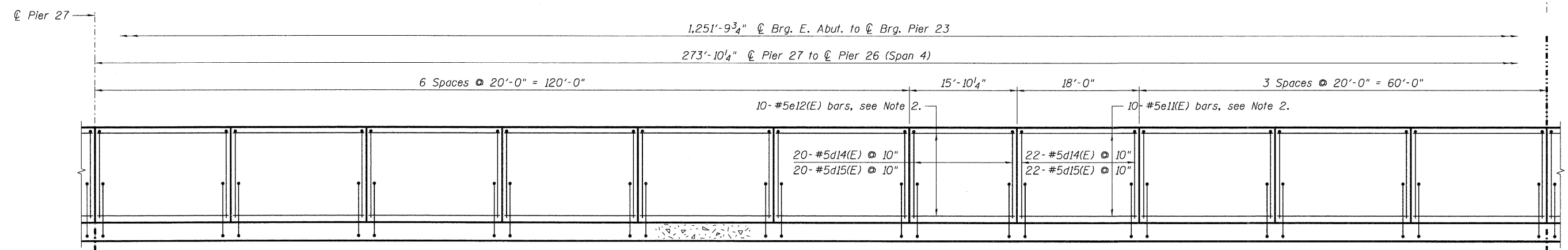
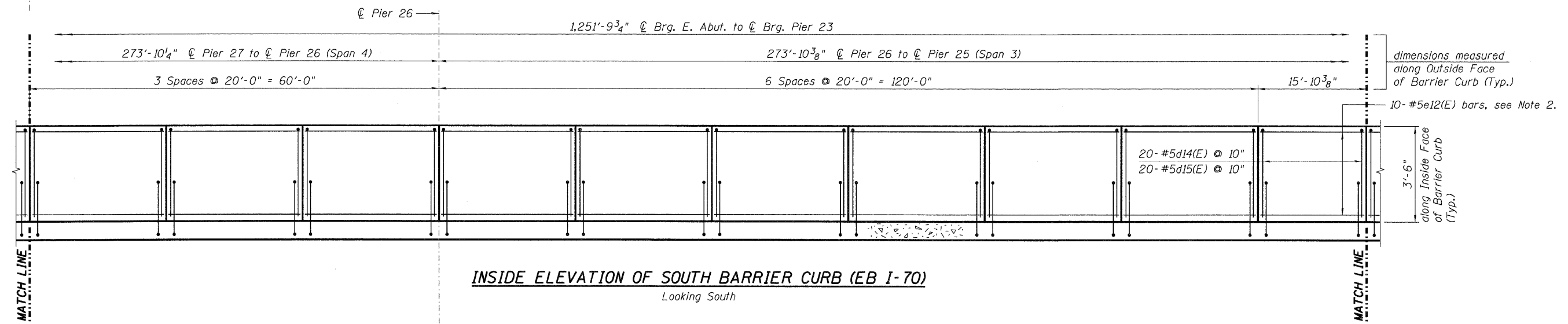


INSIDE ELEVATION OF SOUTH BARRIER CURB (EB I-70)
Looking South



INSIDE ELEVATION OF SOUTH BARRIER CURB (EB I-70)
Looking South



INSIDE ELEVATION OF SOUTH BARRIER CURB (EB I-70)
Looking South

NOTE:
See Sht. S-35 for Notes.

0820318-CONN-05-002-SULDON... 0820318-CONN-05-002-SULDON... 0820318-CONN-05-002-SULDON... 0820318-CONN-05-002-SULDON...
 6-03-2010, 10:43:42
 \\FS-0044\ARM\VAULT\ID-TRANS\9712202\20866-001\STRUCT\CAD\01 DESIGN\0820318\SHEET_0820318-CONN-05-108-SHT-SULDON.BONDHUIJ

FILE NAME =	USER NAME = #USER#	DESIGNED - JLR	REVISED -	STATE OF ILLINOIS DEPARTMENT OF TRANSPORTATION I-70 CONNECTION OVER NS, TRRA, MCT AND INDUSTRIAL DR.	PARAPET ELEVATIONS EB I-70 3 OF 4		F.A.P. RTE.	SECTION	COUNTY	TOTAL SHEETS	SHEET NO.	
#FILE#	PLOT SCALE = #SCALE#	DRAWN - FD	REVISED -		SCALE:	SHEET NO. S-36 OF S-111	STA. 134+22.00 TO STA.	998	82-2-IHVB	ST. CLAIR	285	146
TENG	PLOT DATE = #DATE#	CHECKED - TCU	REVISED -				SN 082-0318 (EB) & 0319 (WB)		CONTRACT NO. 76C44			
TENG & ASSOCIATES, INC. ENGINEERS/ARCHITECTS/PLANNERS CHICAGO, ILLINOIS	DATE - 06/04/10	REVISIED -					FED. ROAD DIST. NO.		ILLINOIS FED. AID PROJECT			