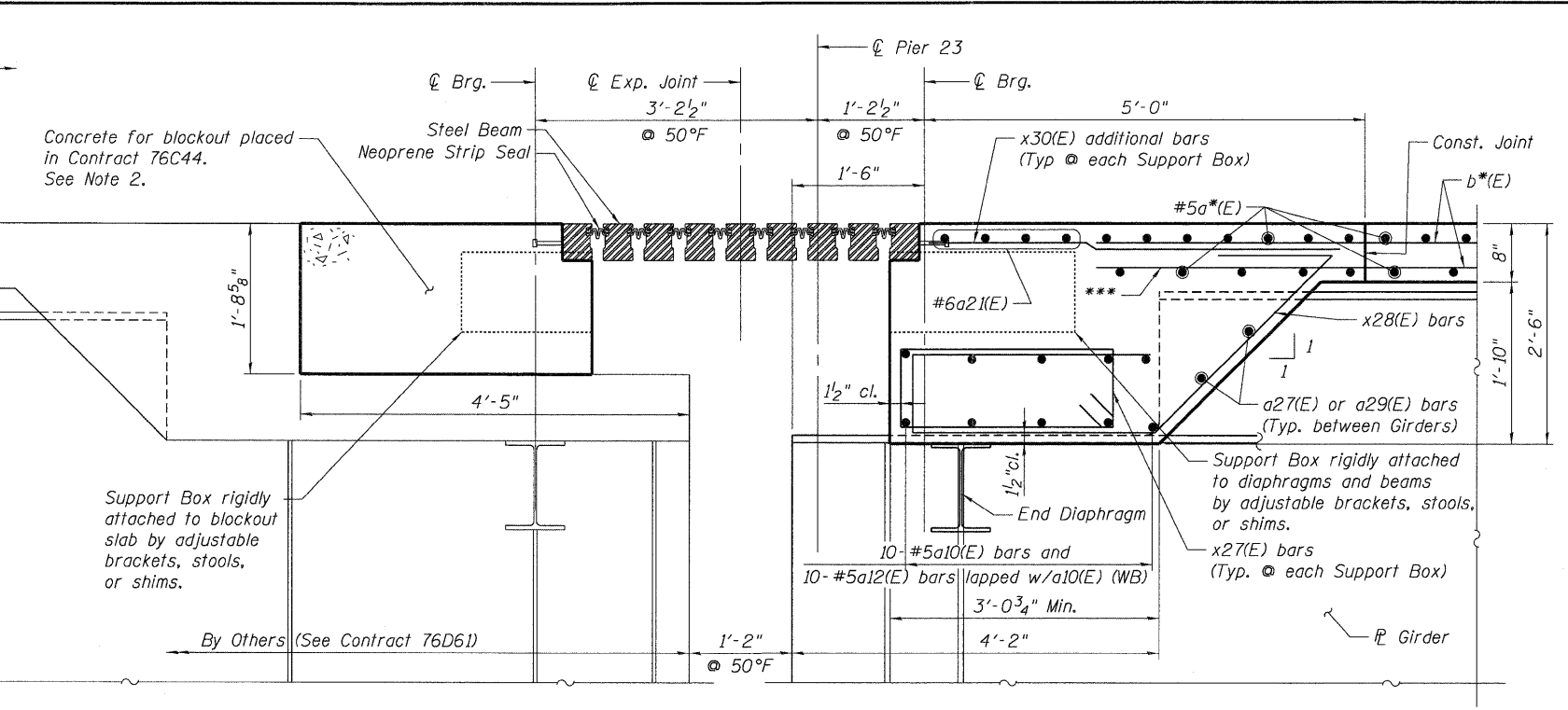
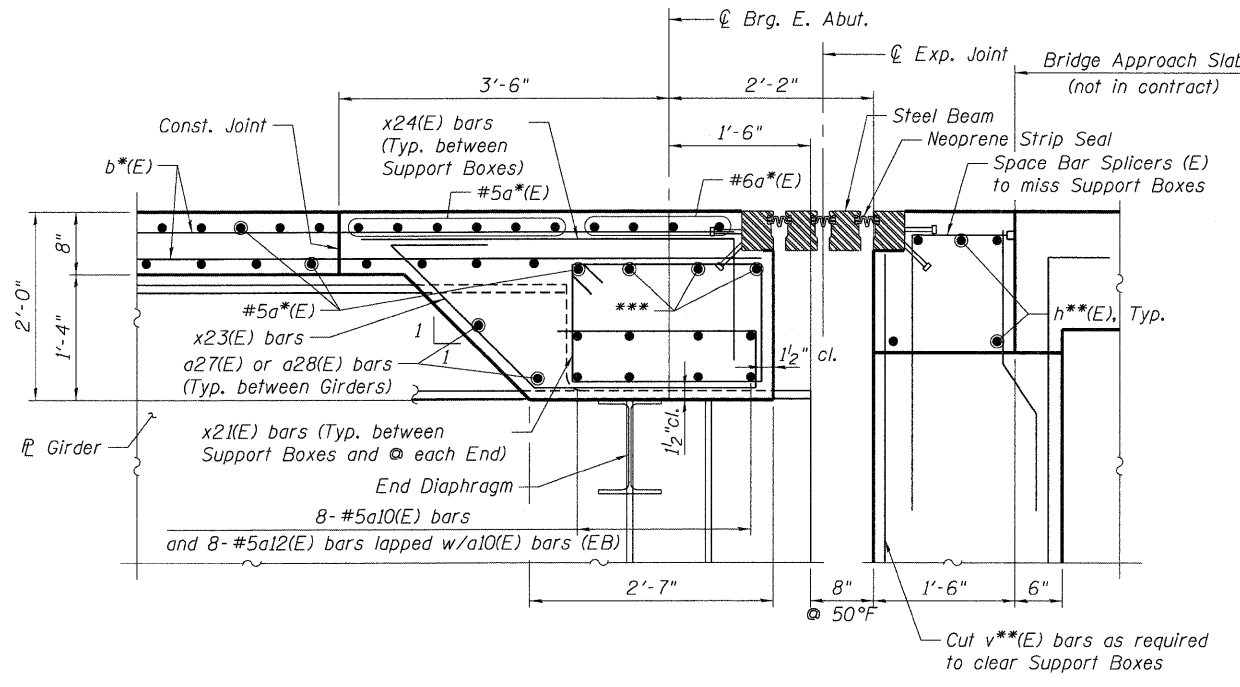


**SECTION C-C**  
(Support Box)

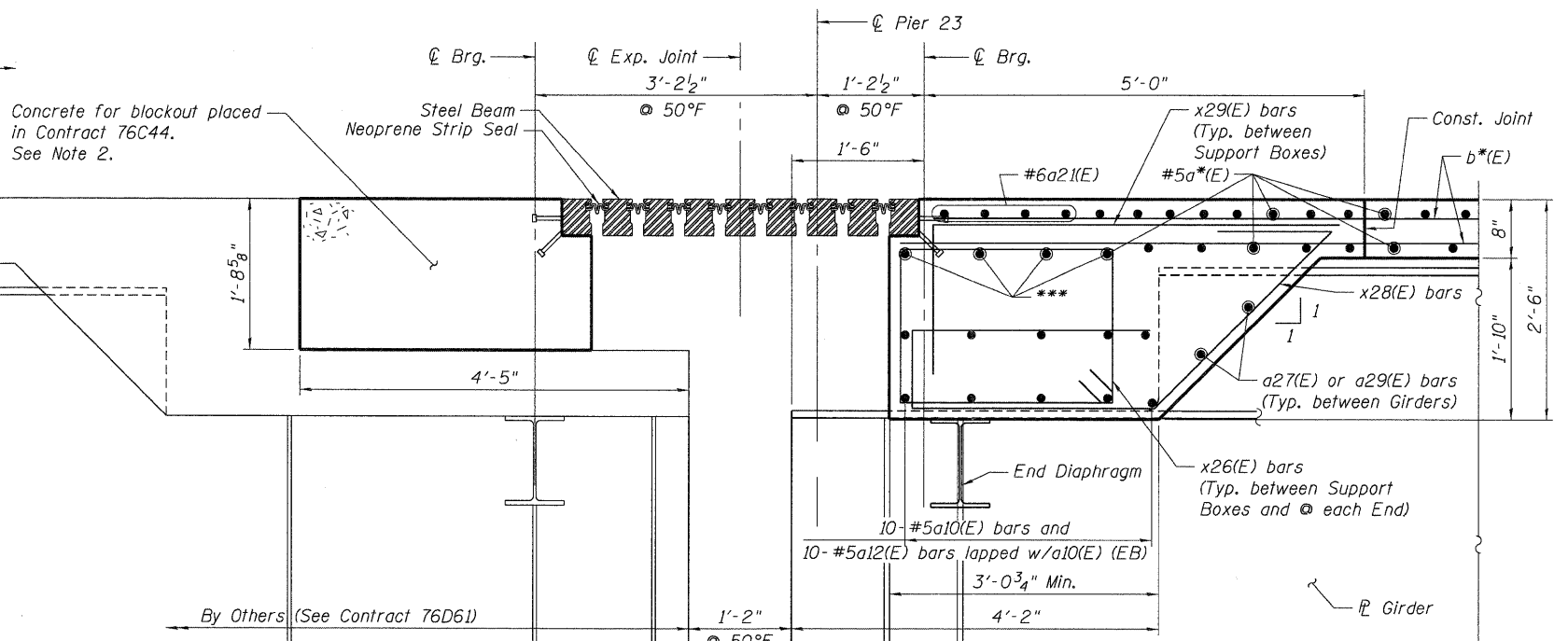


**SECTION G-G**  
(Support Box)

\* For bar designations, see Deck Plans.  
 \*\* For bar designations, see Abutment Plans.  
 \*\*\* Cut bars as required to clear Support Boxes.



**SECTION D-D**  
(between Support Boxes)



**SECTION H-H**  
(between Support Boxes)

**NOTES:**  
 1. Work this sheet with Shts. S-22 thru S-47.  
 2. Concrete for blackout is to be placed in this Contract, 76C44. Quantity is included with Concrete Superstructure. Reinforcement in the blackout is by others under Contract 76D61 and may need to be modified to provide clearance for modular joint. Cost for bending or cutting rebar in field is included with Modular Expansion Joint - Swivel, 24".

0820318-CONN-99-001-80.DGN, 0820318-CONN-05-003-SUDGN, 0820318-CONN-05-003-SUDGN, 0820318-CONN-05-122-SHT-SUDGN  
 6-03-2010, 10:44:33 BONDHUIJ01 \S\5-0844\AM\VAULT\0-TRANS\07\2202\20868-001\STRUCT\CAD\01 DESIGN\0820318\SHEET\0820318-CONN-05-122-SHT-SUDGN

FILE NAME = #FILE#	USER NAME = #USER#	DESIGNED - FD	REVISED -	<b>STATE OF ILLINOIS</b> <b>DEPARTMENT OF TRANSPORTATION</b> I-70 CONNECTION OVER NS, TRRA, MCT AND INDUSTRIAL DR.	<b>MODULAR EXPANSION JOINT</b> <b>2 OF 4</b>	F.A.P. RTE.	SECTION	COUNTY	TOTAL SHEETS	SHEET NO.	
	PLOT SCALE = #SCALE#	DRAWN - FD	REVISED -			998	82-2-1HVB	ST. CLAIR	285	155	
	PLOT DATE = #DATE#	CHECKED - TCJ	REVISED -			SN 082-0318 (EB) & 0319 (WB) CONTRACT NO. 76C44					
		DATE - 06/04/10	REVISED -			FED. ROAD DIST. NO. ILLINOIS FED. AID PROJECT					