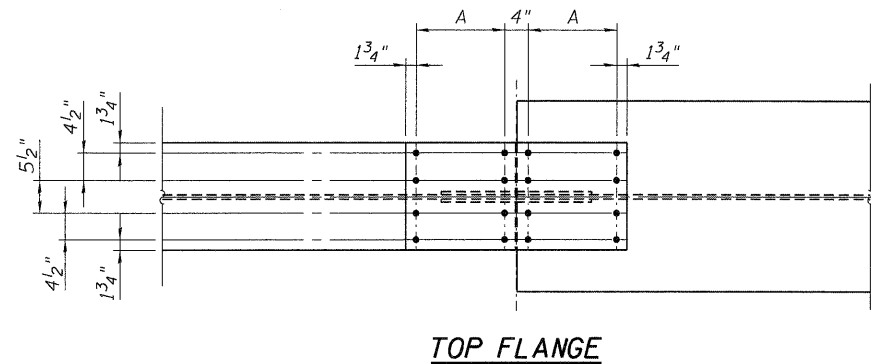


**FIELD SPLICE TYPE**

GIRDER	FIELD SPLICE												
	1	2	3	4	5	6	7	8	9	10	11	12	13
1W	20-4	20-3	20-3	20-4	20-3	20-3	20-4	20-3	22-3	22-4	22-3	24-1	24-2
2W													
3W													
4W	18-2	18-3	18-3	18-2	18-3	18-3	18-2	18-3	18-3	18-2	18-3	18-3	18-4
5W													
6W													
1E	22-2	22-1	22-1	22-2	22-1	22-1	22-2	22-1	22-1	22-2	22-1	22-1	22-2
2E	20-2	20-1	20-1	20-2	20-1	20-1	20-2	20-1	20-1	20-2	20-1	20-1	20-2
3E													
4E	18-2	18-1	18-1	18-2	18-1	18-1	18-2	18-1	18-1	18-2	18-1	18-1	18-2
5E													

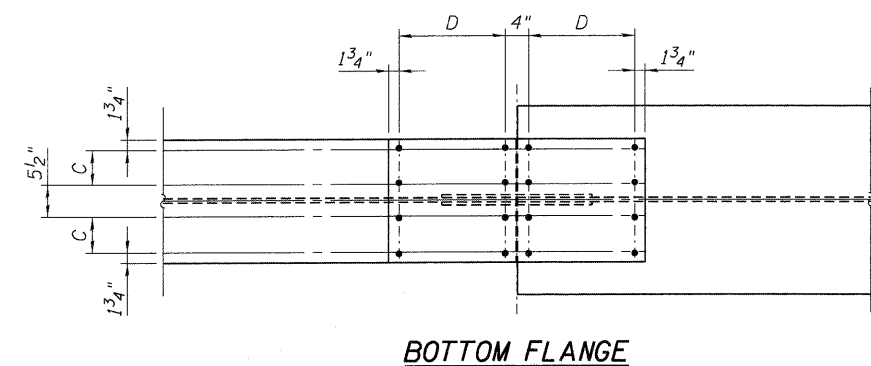
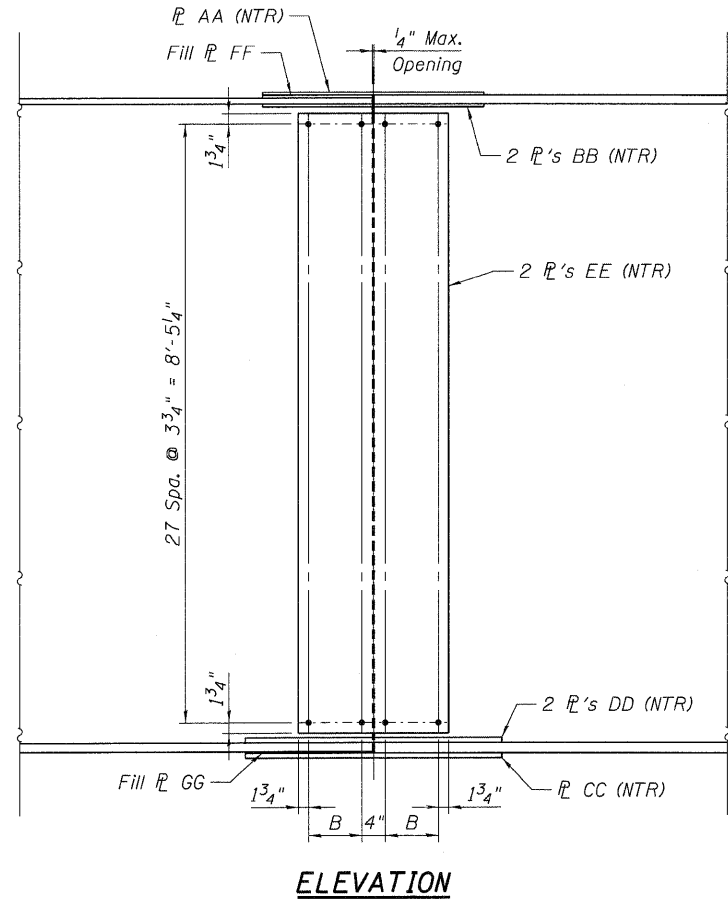


**SPLICE BOLT SPACING**

SPLICE TYPE	A	B	C	D
18-1	5 Spa. @ 3" = 1'-3"	2 Spa. @ 3" = 6"	4 1/2"	6 Spa. @ 3" = 1'-6"
18-2	4 Spa. @ 3" = 1'-0"	2 Spa. @ 3" = 6"	4 1/2"	6 Spa. @ 3" = 1'-6"
18-3	5 Spa. @ 3" = 1'-3"	2 Spa. @ 3" = 6"	4 1/2"	7 Spa. @ 3" = 1'-9"
18-4	4 Spa. @ 3" = 1'-0"	2 Spa. @ 3" = 6"	4 1/2"	7 Spa. @ 3" = 1'-9"
20-1	5 Spa. @ 3" = 1'-3"	2 Spa. @ 3" = 6"	5 1/2"	7 Spa. @ 3" = 1'-9"
20-2	4 Spa. @ 3" = 1'-0"	2 Spa. @ 3" = 6"	5 1/2"	7 Spa. @ 3" = 1'-9"
20-3	6 Spa. @ 3" = 1'-6"	2 Spa. @ 3" = 6"	5 1/2"	8 Spa. @ 3" = 2'-0"
20-4	4 Spa. @ 3" = 1'-0"	3 Spa. @ 3" = 9"	5 1/2"	8 Spa. @ 3" = 2'-0"
22-1	5 Spa. @ 3" = 1'-3"	2 Spa. @ 3" = 6"	2 Spa. @ 3/4" = 6 1/2"	5 Spa. @ 3" = 1'-3"
22-2	4 Spa. @ 3" = 1'-0"	3 Spa. @ 3" = 9"	2 Spa. @ 3/4" = 6 1/2"	6 Spa. @ 3" = 1'-6"
22-3	6 Spa. @ 3" = 1'-6"	2 Spa. @ 3" = 6"	2 Spa. @ 3/4" = 6 1/2"	6 Spa. @ 3" = 1'-6"
22-4	4 Spa. @ 3" = 1'-0"	3 Spa. @ 3" = 9"	2 Spa. @ 3/4" = 6 1/2"	6 Spa. @ 3" = 1'-6"
24-1	6 Spa. @ 3" = 1'-6"	2 Spa. @ 3" = 6"	2 Spa. @ 3/4" = 7 1/2"	6 Spa. @ 3" = 1'-6"
24-2	4 Spa. @ 3" = 1'-0"	3 Spa. @ 3" = 9"	2 Spa. @ 3/4" = 7 1/2"	7 Spa. @ 3" = 1'-9"

**SPLICE PLATE SIZES**

SPLICE TYPE	AA	BB	CC	DD	EE	FF	GG
18-1	1/2" x 18" x 3'-1 1/2"	1/2" x 8" x 3'-1 1/2"	3/4" x 18" x 3'-7 1/2"	3/4" x 8" x 3'-7 1/2"	1/2" x 19 1/2" x 8'-8 3/4"	1/2" x 18" x 1'-6 5/8"	---
18-2	1/2" x 18" x 2'-7 1/2"	1/2" x 8" x 2'-7 1/2"	7/8" x 18" x 3'-7 1/2"	7/8" x 8" x 3'-7 1/2"	1/2" x 19 1/2" x 8'-8 3/4"	---	---
18-3	1/2" x 18" x 3'-1 1/2"	1/2" x 8" x 3'-1 1/2"	3/4" x 18" x 4'-1 1/2"	3/4" x 8" x 4'-1 1/2"	1/2" x 19 1/2" x 8'-8 3/4"	3/4" x 18" x 1'-6 5/8"	1/4" x 18" x 2'-0 5/8"
18-4	1/2" x 18" x 2'-7 1/2"	1/2" x 8" x 2'-7 1/2"	7/8" x 18" x 4'-1 1/2"	7/8" x 8" x 4'-1 1/2"	1/2" x 19 1/2" x 8'-8 3/4"	---	---
20-1	1/2" x 18" x 3'-1 1/2"	1/2" x 8" x 3'-1 1/2"	3/4" x 20" x 4'-1 1/2"	3/4" x 9" x 4'-1 1/2"	1/2" x 19 1/2" x 8'-8 3/4"	1/2" x 18" x 1'-6 5/8"	---
20-2	1/2" x 18" x 2'-7 1/2"	1/2" x 8" x 2'-7 1/2"	7/8" x 20" x 4'-1 1/2"	7/8" x 9" x 4'-1 1/2"	1/2" x 19 1/2" x 8'-8 3/4"	---	---
20-3	1/2" x 18" x 3'-7 1/2"	1/2" x 8" x 3'-7 1/2"	7/8" x 20" x 4'-7 1/2"	7/8" x 9" x 4'-7 1/2"	1/2" x 19 1/2" x 8'-8 3/4"	3/4" x 18" x 1'-9 5/8"	1/4" x 20" x 2'-3 5/8"
20-4	1/2" x 18" x 2'-7 1/2"	1/2" x 8" x 2'-7 1/2"	7/8" x 20" x 4'-7 1/2"	7/8" x 9" x 4'-7 1/2"	1/2" x 25 1/2" x 8'-8 3/4"	---	---
22-1	1/2" x 18" x 3'-1 1/2"	1/2" x 8" x 3'-1 1/2"	3/4" x 22" x 3'-1 1/2"	3/4" x 10" x 3'-1 1/2"	1/2" x 19 1/2" x 8'-8 3/4"	1/2" x 18" x 1'-6 5/8"	---
22-2	1/2" x 18" x 2'-7 1/2"	1/2" x 8" x 2'-7 1/2"	1" x 22" x 3'-7 1/2"	1" x 10" x 3'-7 1/2"	1/2" x 25 1/2" x 8'-8 3/4"	---	---
22-3	1/2" x 18" x 3'-7 1/2"	1/2" x 8" x 3'-7 1/2"	7/8" x 22" x 3'-7 1/2"	7/8" x 10" x 3'-7 1/2"	1/2" x 19 1/2" x 8'-8 3/4"	3/4" x 18" x 1'-9 5/8"	1/4" x 22" x 1'-9 5/8"
22-4	1/2" x 18" x 2'-7 1/2"	1/2" x 8" x 2'-7 1/2"	7/8" x 22" x 3'-7 1/2"	7/8" x 10" x 3'-7 1/2"	1/2" x 25 1/2" x 8'-8 3/4"	---	---
24-1	1/2" x 18" x 3'-7 1/2"	1/2" x 8" x 3'-7 1/2"	3/4" x 24" x 3'-7 1/2"	3/4" x 11" x 3'-7 1/2"	1/2" x 19 1/2" x 8'-8 3/4"	3/4" x 18" x 1'-9 5/8"	1/4" x 24" x 1'-9 5/8"
24-2	1/2" x 18" x 2'-7 1/2"	1/2" x 8" x 2'-7 1/2"	7/8" x 24" x 4'-1 1/2"	7/8" x 11" x 4'-1 1/2"	1/2" x 25 1/2" x 8'-8 3/4"	---	---



**NOTE:**  
See Sht. S-67 for notes.

FILE NAME = \PFS\0044\ARM\VAULT\D-TRANS\_07\2202\_20866-081\STRUCT\CAD\01 DESIGN\0820318\SHEET\_0820318-CONN-05-086-SHT-G0.DGN  
 USER NAME = #USER#  
 DESIGNED - JLR  
 DRAWN - MDB  
 CHECKED - TCU  
 DATE - 06/04/10  
 REVISED -  
 REVISED -  
 REVISED -  
 REVISED -  
 REVISED -  
 STATE OF ILLINOIS  
 DEPARTMENT OF TRANSPORTATION  
 I-70 CONNECTION OVER  
 NS, TRRA, MCT AND INDUSTRIAL DR.  
 STEEL DETAILS  
 6 OF 6  
 F.A.P. RTE. 998  
 SECTION 82-2-IHVB  
 COUNTY ST. CLAIR  
 TOTAL SHEETS 285  
 SHEET NO. 182  
 SN 082-0318 (EB) & 0319 (WB)  
 CONTRACT NO. 76C44  
 FED. ROAD DIST. NO. ILLINOIS FED. AID PROJECT  
 SCALE: SHEET NO. S-72 OF S-111 STA. 134+22.00 TO STA.

FILE NAME = #FILE#  
 USER NAME = #USER#  
 DESIGNED - JLR  
 DRAWN - MDB  
 CHECKED - TCU  
 DATE - 06/04/10  
 REVISED -  
 REVISED -  
 REVISED -  
 REVISED -  
 REVISED -  
 STATE OF ILLINOIS  
 DEPARTMENT OF TRANSPORTATION  
 I-70 CONNECTION OVER  
 NS, TRRA, MCT AND INDUSTRIAL DR.  
 STEEL DETAILS  
 6 OF 6  
 F.A.P. RTE. 998  
 SECTION 82-2-IHVB  
 COUNTY ST. CLAIR  
 TOTAL SHEETS 285  
 SHEET NO. 182  
 SN 082-0318 (EB) & 0319 (WB)  
 CONTRACT NO. 76C44  
 FED. ROAD DIST. NO. ILLINOIS FED. AID PROJECT  
 SCALE: SHEET NO. S-72 OF S-111 STA. 134+22.00 TO STA.

USER NAME = #USER#  
 DESIGNED - JLR  
 DRAWN - MDB  
 CHECKED - TCU  
 DATE - 06/04/10  
 REVISED -  
 REVISED -  
 REVISED -  
 REVISED -  
 REVISED -  
 STATE OF ILLINOIS  
 DEPARTMENT OF TRANSPORTATION  
 I-70 CONNECTION OVER  
 NS, TRRA, MCT AND INDUSTRIAL DR.  
 STEEL DETAILS  
 6 OF 6  
 F.A.P. RTE. 998  
 SECTION 82-2-IHVB  
 COUNTY ST. CLAIR  
 TOTAL SHEETS 285  
 SHEET NO. 182  
 SN 082-0318 (EB) & 0319 (WB)  
 CONTRACT NO. 76C44  
 FED. ROAD DIST. NO. ILLINOIS FED. AID PROJECT  
 SCALE: SHEET NO. S-72 OF S-111 STA. 134+22.00 TO STA.

USER NAME = #USER#  
 DESIGNED - JLR  
 DRAWN - MDB  
 CHECKED - TCU  
 DATE - 06/04/10  
 REVISED -  
 REVISED -  
 REVISED -  
 REVISED -  
 REVISED -  
 STATE OF ILLINOIS  
 DEPARTMENT OF TRANSPORTATION  
 I-70 CONNECTION OVER  
 NS, TRRA, MCT AND INDUSTRIAL DR.  
 STEEL DETAILS  
 6 OF 6  
 F.A.P. RTE. 998  
 SECTION 82-2-IHVB  
 COUNTY ST. CLAIR  
 TOTAL SHEETS 285  
 SHEET NO. 182  
 SN 082-0318 (EB) & 0319 (WB)  
 CONTRACT NO. 76C44  
 FED. ROAD DIST. NO. ILLINOIS FED. AID PROJECT  
 SCALE: SHEET NO. S-72 OF S-111 STA. 134+22.00 TO STA.

USER NAME = #USER#  
 DESIGNED - JLR  
 DRAWN - MDB  
 CHECKED - TCU  
 DATE - 06/04/10  
 REVISED -  
 REVISED -  
 REVISED -  
 REVISED -  
 REVISED -  
 STATE OF ILLINOIS  
 DEPARTMENT OF TRANSPORTATION  
 I-70 CONNECTION OVER  
 NS, TRRA, MCT AND INDUSTRIAL DR.  
 STEEL DETAILS  
 6 OF 6  
 F.A.P. RTE. 998  
 SECTION 82-2-IHVB  
 COUNTY ST. CLAIR  
 TOTAL SHEETS 285  
 SHEET NO. 182  
 SN 082-0318 (EB) & 0319 (WB)  
 CONTRACT NO. 76C44  
 FED. ROAD DIST. NO. ILLINOIS FED. AID PROJECT  
 SCALE: SHEET NO. S-72 OF S-111 STA. 134+22.00 TO STA.

USER NAME = #USER#  
 DESIGNED - JLR  
 DRAWN - MDB  
 CHECKED - TCU  
 DATE - 06/04/10  
 REVISED -  
 REVISED -  
 REVISED -  
 REVISED -  
 REVISED -  
 STATE OF ILLINOIS  
 DEPARTMENT OF TRANSPORTATION  
 I-70 CONNECTION OVER  
 NS, TRRA, MCT AND INDUSTRIAL DR.  
 STEEL DETAILS  
 6 OF 6  
 F.A.P. RTE. 998  
 SECTION 82-2-IHVB  
 COUNTY ST. CLAIR  
 TOTAL SHEETS 285  
 SHEET NO. 182  
 SN 082-0318 (EB) & 0319 (WB)  
 CONTRACT NO. 76C44  
 FED. ROAD DIST. NO. ILLINOIS FED. AID PROJECT  
 SCALE: SHEET NO. S-72 OF S-111 STA. 134+22.00 TO STA.

USER NAME = #USER#  
 DESIGNED - JLR  
 DRAWN - MDB  
 CHECKED - TCU  
 DATE - 06/04/10  
 REVISED -  
 REVISED -  
 REVISED -  
 REVISED -  
 REVISED -  
 STATE OF ILLINOIS  
 DEPARTMENT OF TRANSPORTATION  
 I-70 CONNECTION OVER  
 NS, TRRA, MCT AND INDUSTRIAL DR.  
 STEEL DETAILS  
 6 OF 6  
 F.A.P. RTE. 998  
 SECTION 82-2-IHVB  
 COUNTY ST. CLAIR  
 TOTAL SHEETS 285  
 SHEET NO. 182  
 SN 082-0318 (EB) & 0319 (WB)  
 CONTRACT NO. 76C44  
 FED. ROAD DIST. NO. ILLINOIS FED. AID PROJECT  
 SCALE: SHEET NO. S-72 OF S-111 STA. 134+22.00 TO STA.

USER NAME = #USER#  
 DESIGNED - JLR  
 DRAWN - MDB  
 CHECKED - TCU  
 DATE - 06/04/10  
 REVISED -  
 REVISED -  
 REVISED -  
 REVISED -  
 REVISED -  
 STATE OF ILLINOIS  
 DEPARTMENT OF TRANSPORTATION  
 I-70 CONNECTION OVER  
 NS, TRRA, MCT AND INDUSTRIAL DR.  
 STEEL DETAILS  
 6 OF 6  
 F.A.P. RTE. 998  
 SECTION 82-2-IHVB  
 COUNTY ST. CLAIR  
 TOTAL SHEETS 285  
 SHEET NO. 182  
 SN 082-0318 (EB) & 0319 (WB)  
 CONTRACT NO. 76C44  
 FED. ROAD DIST. NO. ILLINOIS FED. AID PROJECT  
 SCALE: SHEET NO. S-72 OF S-111 STA. 134+22.00 TO STA.

USER NAME = #USER#  
 DESIGNED - JLR  
 DRAWN - MDB  
 CHECKED - TCU  
 DATE - 06/04/10  
 REVISED -  
 REVISED -  
 REVISED -  
 REVISED -  
 REVISED -  
 STATE OF ILLINOIS  
 DEPARTMENT OF TRANSPORTATION  
 I-70 CONNECTION OVER  
 NS, TRRA, MCT AND INDUSTRIAL DR.  
 STEEL DETAILS  
 6 OF 6  
 F.A.P. RTE. 998  
 SECTION 82-2-IHVB  
 COUNTY ST. CLAIR  
 TOTAL SHEETS 285  
 SHEET NO. 182  
 SN 082-0318 (EB) & 0319 (WB)  
 CONTRACT NO. 76C44  
 FED. ROAD DIST. NO. ILLINOIS FED. AID PROJECT  
 SCALE: SHEET NO. S-72 OF S-111 STA. 134+22.00 TO STA.