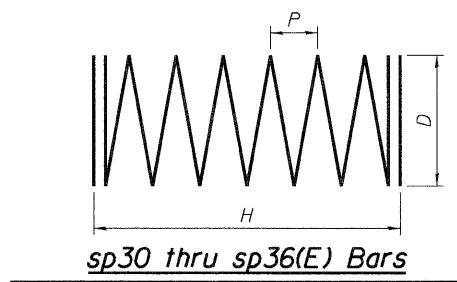
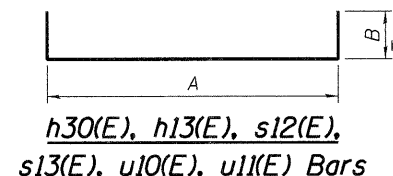


ANCHOR BOLT LAYOUT

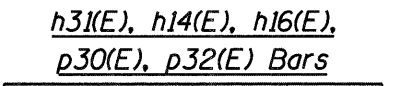


Bar	H	D	P	Length*
sp30	61'-3"	5'-10"	6"	2,276'
sp31	44'-10"	5'-10"	3"	3,306'
sp32(E)	15'-0"	4'-8"	4"	695'
sp33(E)	31'-11"	4'-8"	4"	1,429'
sp34(E)	31'-0"	4'-8"	4"	1,389'
sp35(E)	30'-0"	4'-8"	4"	1,346'
sp36(E)	29'-0"	4'-8"	4"	1,302'

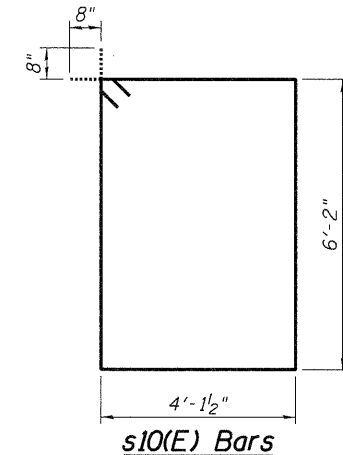
* For Information Only - length calculated as continuous bar (ignoring splices).



Bar	A	B	Length
h30(E)	9'-2"	1'-6"	12'-2"
h13(E)	7'-11"	1'-6"	10'-11"
s12(E)	6'-2"	1'-0"	8'-2"
s13(E)	6'-2"	1'-0"	8'-2"
u10(E)	6'-0"	7'-9"	21'-6"
u11(E)	6'-2"	1'-6"	9'-2"



Bar	A	B	Length
h31(E)	9'-8"	1'-6"	11'-2"
h14(E)	10'-2"	1'-6"	11'-8"
h16(E)	11'-1"	1'-6"	12'-7"
p30(E)	54'-3"	2'-0"	56'-3"
p32(E)	55'-1"	2'-0"	57'-1"

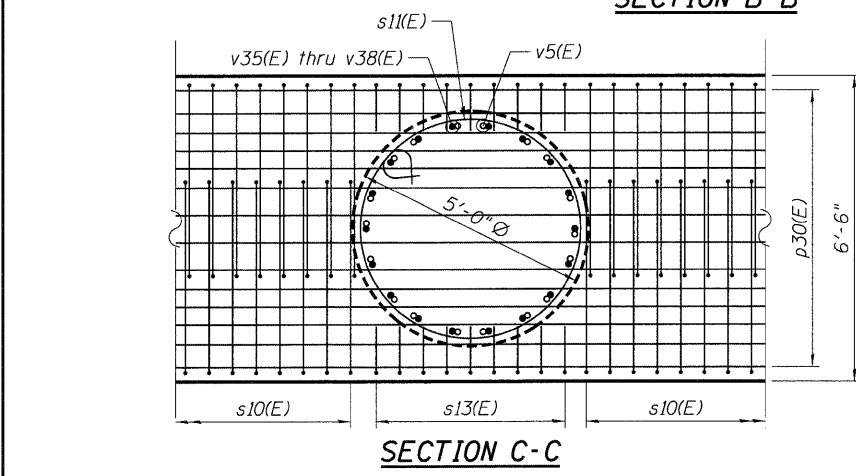


v35(E) - v38(E) & v5(E) Bars

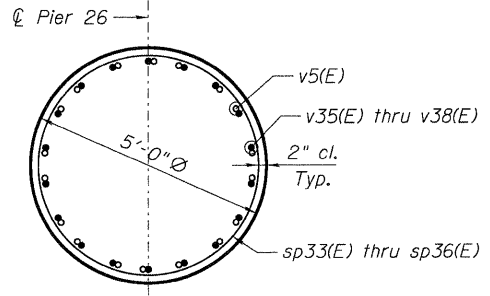
Bar	A	Length
v35(E)	40'-0"	41'-7"
v36(E)	39'-1"	40'-8"
v37(E)	38'-1"	39'-8"
v38(E)	37'-1"	38'-8"
v5(E)	12'-3"	13'-10"

PIER 26 BAR LIST				
Bar	No.	Size	Length	Shape
h30(E)	7	#6	12'-2"	
h31(E)	28	#6	11'-2"	
h32(E)	7	#6	11'-2"	
h13(E)	7	#6	10'-11"	
h14(E)	21	#6	11'-8"	
h16(E)	7	#6	12'-7"	
p30(E)	32	#11	56'-3"	
p31(E)	20	#8	51'-5"	
p32(E)	46	#11	57'-1"	
s10(E)	312	#6	21'-11"	
s11(E)	84	#6	16'-8"	
s12(E)	36	#6	8'-2"	
s13(E)	72	#6	8'-2"	
u10(E)	10	#8	21'-6"	
u11(E)	105	#6	9'-2"	
v30	88	#14	52'-0"	
v31	88	#14	54'-1"	
v1	88	#14	38'-10"	
v2(E)	36	#11	10'-6"	
v3(E)	36	#11	12'-6"	
v4(E)	72	#11	14'-6"	
v35(E)	18	#11	41'-7"	
v36(E)	18	#11	40'-8"	
v37(E)	18	#11	39'-8"	
v38(E)	18	#11	38'-8"	
v5(E)	72	#11	13'-10"	

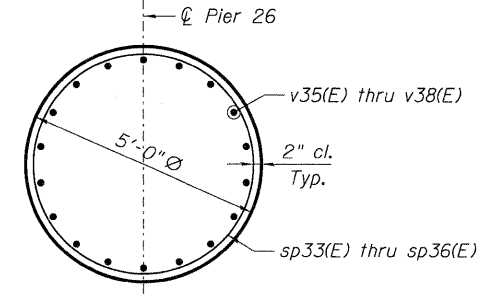
* Length is height of spiral



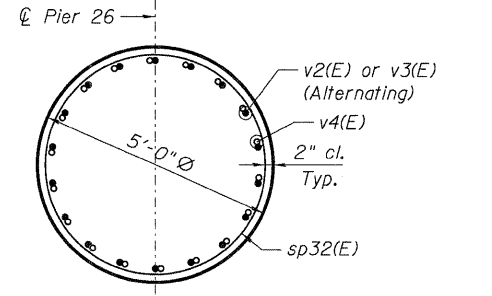
SECTION C-C



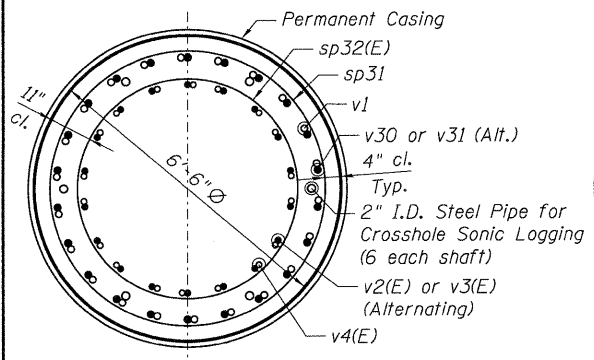
SECTION D-D



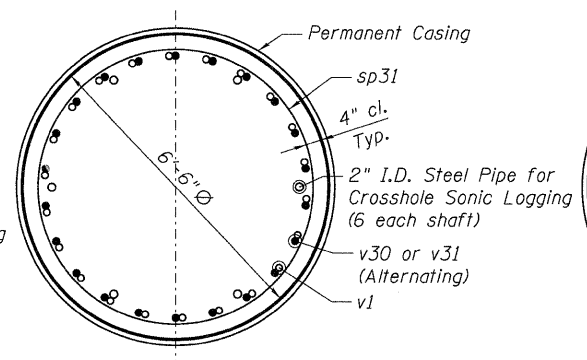
SECTION E-E



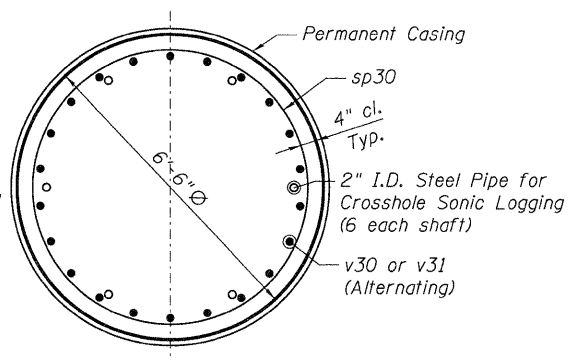
SECTION F-F



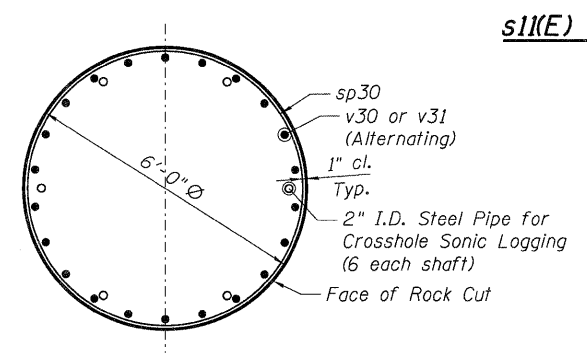
SECTION G-G



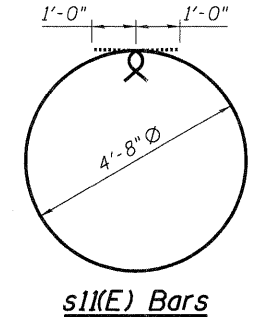
SECTION H-H



SECTION J-J



SECTION K-K



s11(E) Bars

NOTES:

1. Work this sheet with Sht. S-84.
2. The quantities and reinforcement detailing shown are based on the top of shaft and estimated top of rock elevations shown and may change based on the actual elevations encountered at each shaft.
3. The cost of steel pipes, pipe caps and couplers for crosshole sonic logging shall be included in Drilled Shaft in Soil and Drilled Shaft in Rock.
4. v(E) bars in columns shall be placed as shown to provide space for p30(E) bars in cap.
5. For Anchor Bolt and bearing details, see Sht. S-74.

PIER 26 BILL OF MATERIAL

Item	Unit	Total
Structure Excavation	Cu. Yd.	145
Concrete Structures	Cu. Yd.	277.6
Reinforcement Bars	Pound	131,090
Reinforcement Bars, Epoxy Coated	Pound	86,280
Permanent Casing	Foot	418
Drilled Shaft in Soil	Cu. Yd.	514
Drilled Shaft in Rock	Cu. Yd.	9
Mechanical Splicers	Each	160
Crosshole Sonic Logging	Each	1