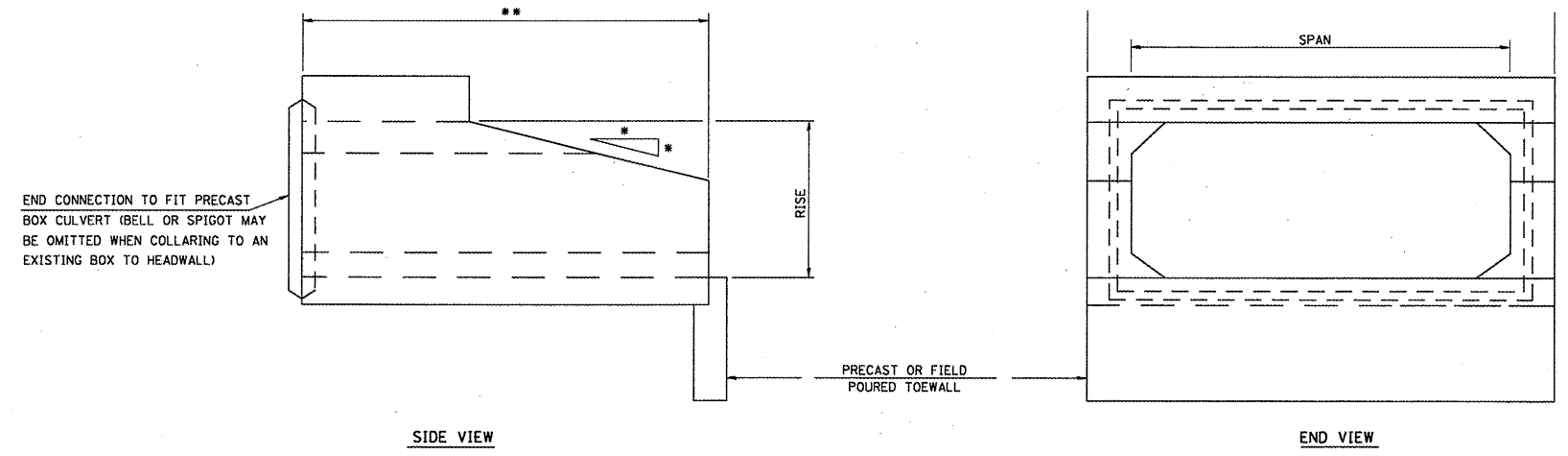
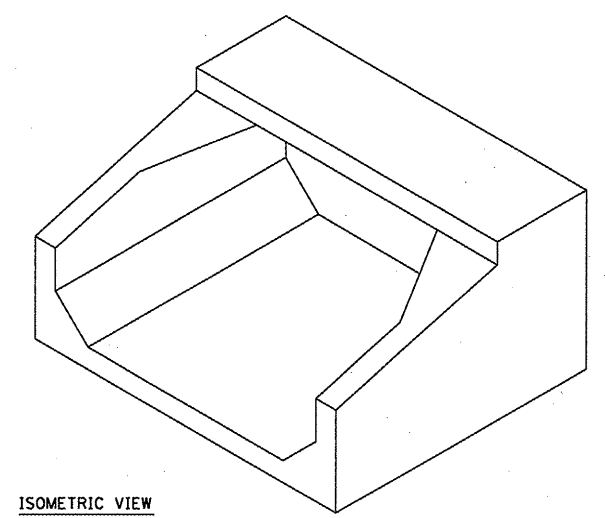


DETAIL OF PRECAST CONCRETE BOX CULVERT END SECTION



* NOTE: THE DIMENSIONS OF THE SLOPE SHALL VARY ACCORDING TO THE SIZE OF THE PRECAST BOX CULVERT END SECTIONS AND SHALL BE DESIGNED BY THE PRECASTER TO THE SATISFACTION OF THE ENGINEER.



BOX CULVERT END SECTION SCHEDULE

MILE STA.	OFFSET	BOX CULVERT NUMBER	CULVERT SIZE	BOX CULVERT END SECTION	** END SECTION LENGTH
				EACH	FOOT
2.248	RT	No. 1	3' X 3'	1	3
	LT			1	3
2.383	RT	No. 2	4' X 4'	1	3
	LT			1	3
2.540	RT	No. 3	4' X 3'	1	3
	LT			1	3
3.614	RT	No. 4	2' X 2'	1	4
	LT			1	4
3.707	RT	No. 5	2' X 2'	1	4
	LT			1	4
3.788	RT	No. 6	2' X 2'	1	3
	LT			1	4
3.851	RT	No. 7	2' X 2'	1	4
	LT			1	4
4.407	LT	No. 8	2' X 2'	1	4
4.929	RT	No. 9	3' X 2'	1	4
	LT			1	4
5.073	RT	No. 10	3' X 3'	1	4
	LT			1	4
5.443	RT	No. 11	2' X 2'	1	3
	LT			1	4
5.880	RT	No. 12	3' X 2'	1	4
	LT			1	4
TOTAL				23	84