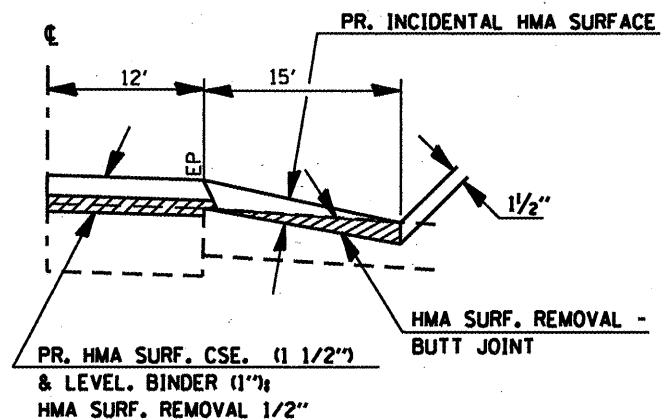
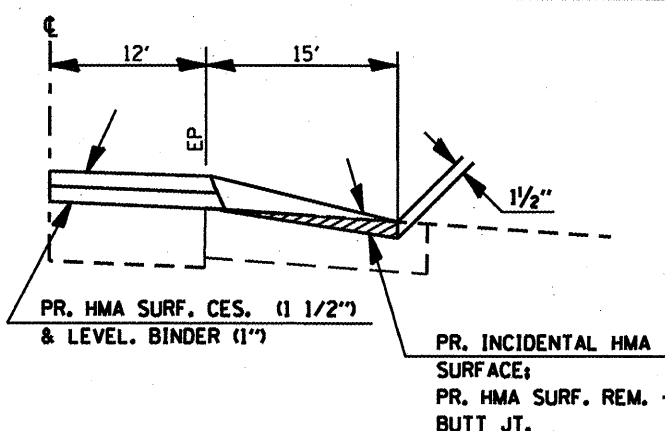


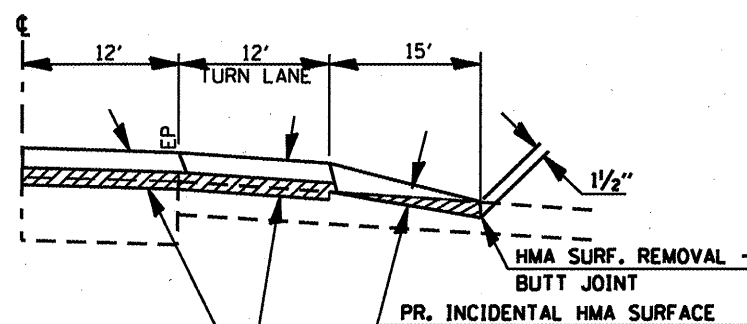
SIDEROAD AND ENTRANCE DETAILS



SIDE ROAD EAST OF IL 166  
SEC. A-A  
EX. BIT. OR CONC. SURFACE  
WITH NO TURN LANE

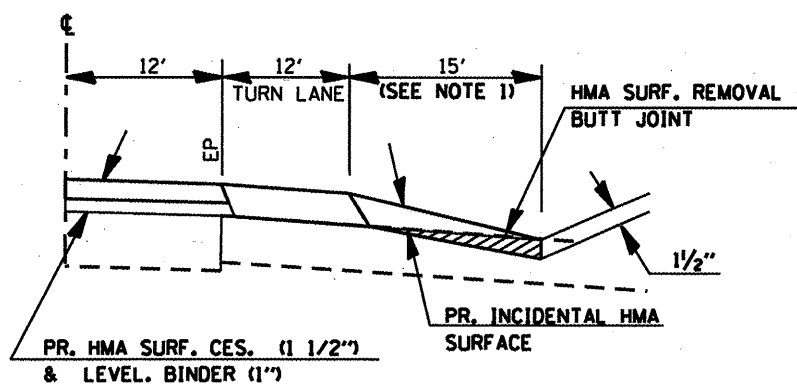


SIDE ROAD WEST OF IL 166  
SEC. A-A  
EX. BIT. OR CONC. SURFACE  
WITH NO TURN LANE



PR. HMA SURF. CSE. (1 1/2")  
& LEVEL. BINDER (1")  
HMA SURF. REMOVAL 1/2"

SIDE ROAD EAST OF IL 166  
SEC. B-B  
EX. BIT. OR CONC. SURFACE  
WITH TURN LANE



SIDE ROAD WEST OF IL 166  
SEC. B-B  
EX. BIT. OR CONC. SURFACE  
WITH TURN LANE

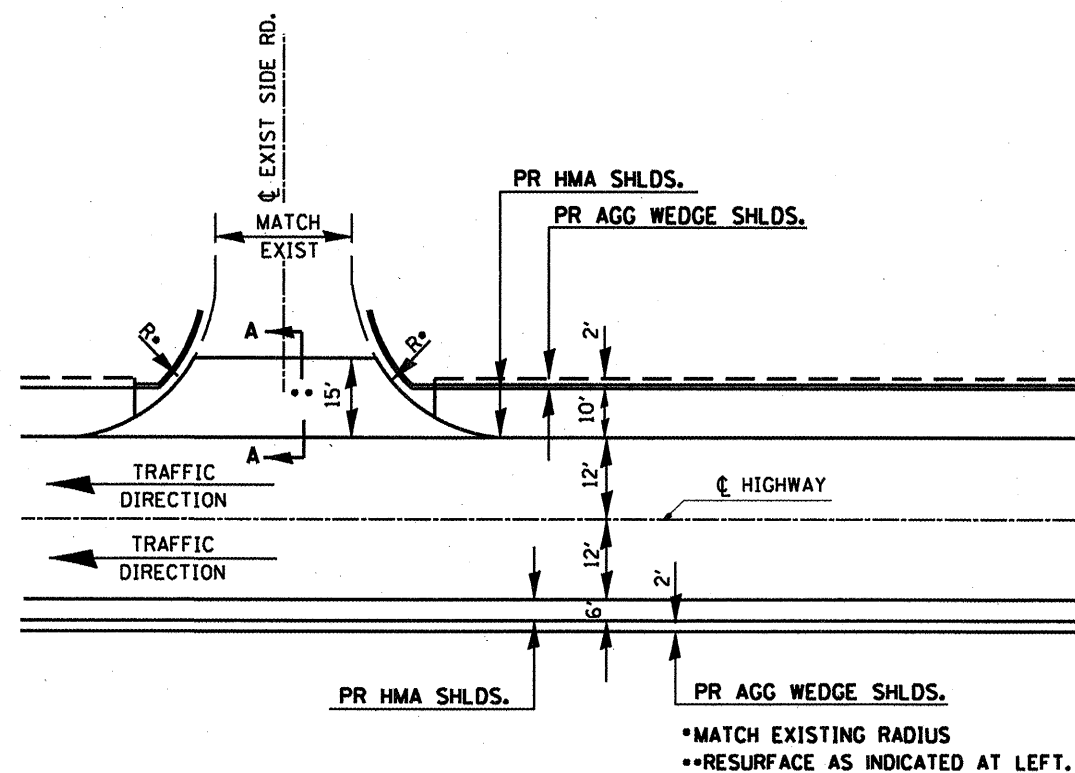
NOTE 1: THE TAPER LENGTH  
AT IL. 166 NORTH & SOUTH  
SHALL BE 50'. SEE DETAIL,  
SHT. 27.

ENTRANCE SCHEDULE  
(SEE NOTE 1)

TYPE	NUMBER OF ENTRANCES
P.E.	4
C.E.	0
F.E.	2

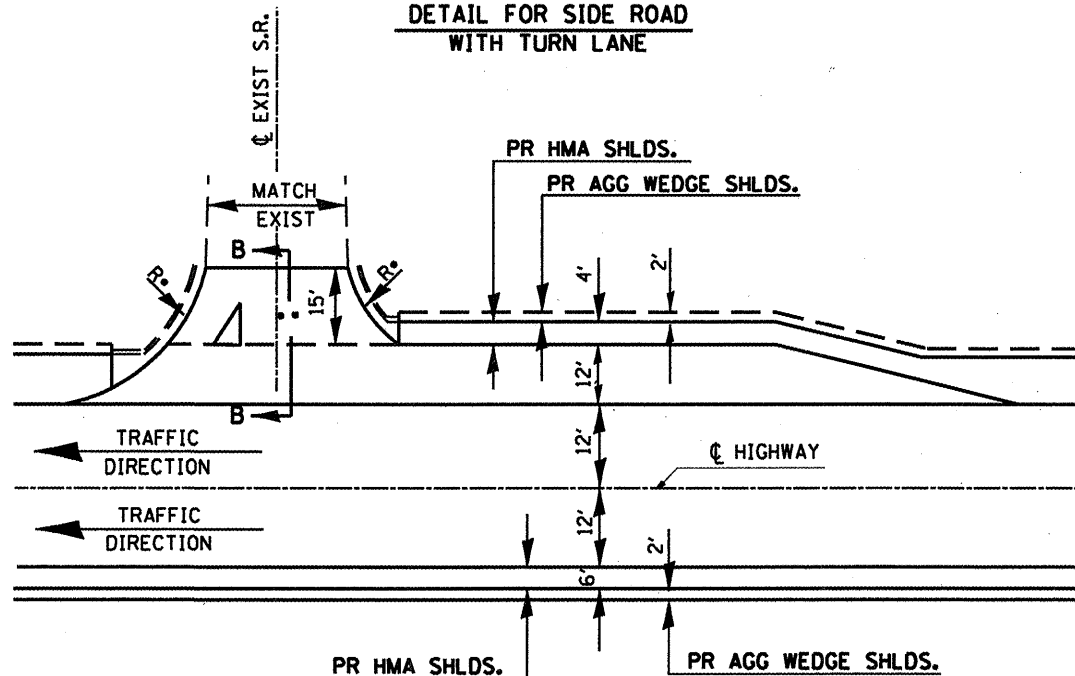
NOTE 1:  
ALL ENTRANCES ARE BEHIND HMA SHOULDER.  
THEREFORE NO TREATMENT IS REQUIRED.

DETAIL FOR SIDE ROAD  
WITH NO TURN LANE



\*MATCH EXISTING RADIUS  
\*\*RESURFACE AS INDICATED AT LEFT.

DETAIL FOR SIDE ROAD  
WITH TURN LANE



\*MATCH EXISTING RADIUS  
\*\*RESURFACE AS INDICATED AT LEFT.

\* (6-1)RS-2(6-3,6-2,7-1,7-3)RS-1

FILE NAME =	USER NAME = mcoordkr	DESIGNED -	REVISED -
or:\pwwork\PIWIDOT\MCCORDKR\J0186822\7819	98-sht-plan.dgn	DRAWN -	REVISED -
	PLOT SCALE = 200.0000' / IN.	CHECKED -	REVISED -
	PLOT DATE = 5/3/2010	DATE -	REVISED -

STATE OF ILLINOIS  
DEPARTMENT OF TRANSPORTATION

DETAIL - LOG. 1. SIDE ROADS  
AND ENTRANCES

SCALE: SHEET NO. OF SHEETS STA. TO STA.

F.A.P. RTE.	SECTION	COUNTY	TOTAL SHEETS	SHEET NO.
331	*	WILLIAMSON	30	28
CONTRACT NO. 78190				
FED. ROAD DIST. NO. ILLINOIS FED. AID PROJECT				