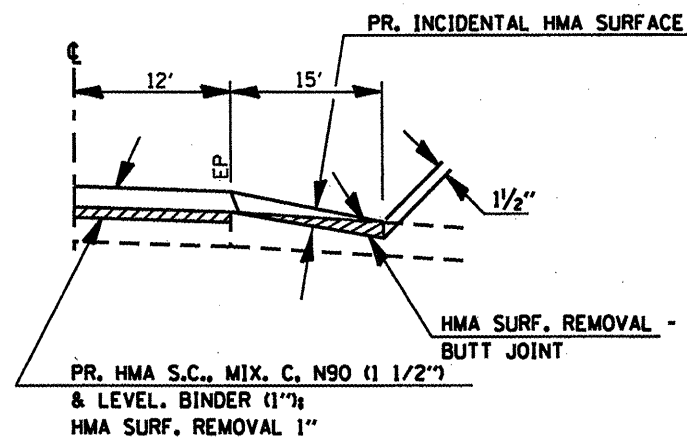
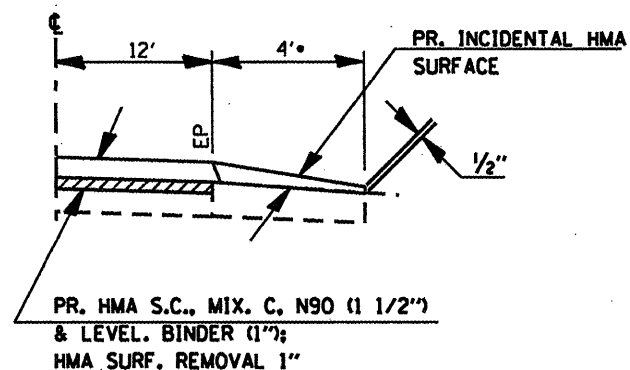


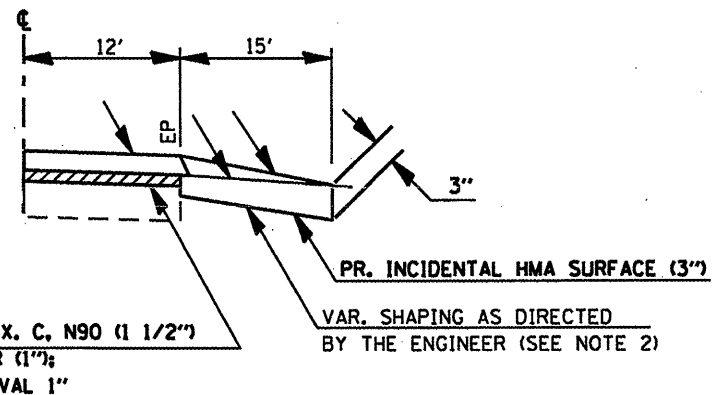
LOCATION 1 SIDE ROAD AND ENTRANCE DETAILS



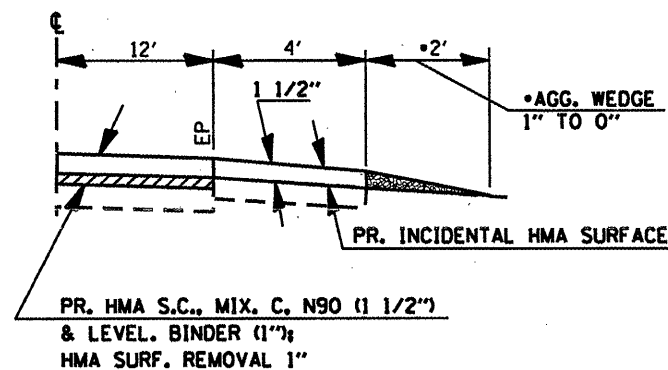
SIDE ROAD SEC. B-B
EX. BIT. OR CONC. SURFACE



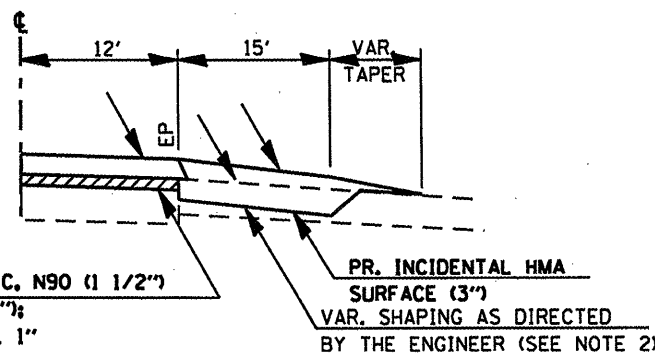
PE OR CE SEC. A-A
EX. BIT. OR CONC. SURFACE
•OR END OF BIT. APRON



SIDE ROAD SEC. B-B
EX. AGGREGATE SURFACE
(SEE NOTE 1)



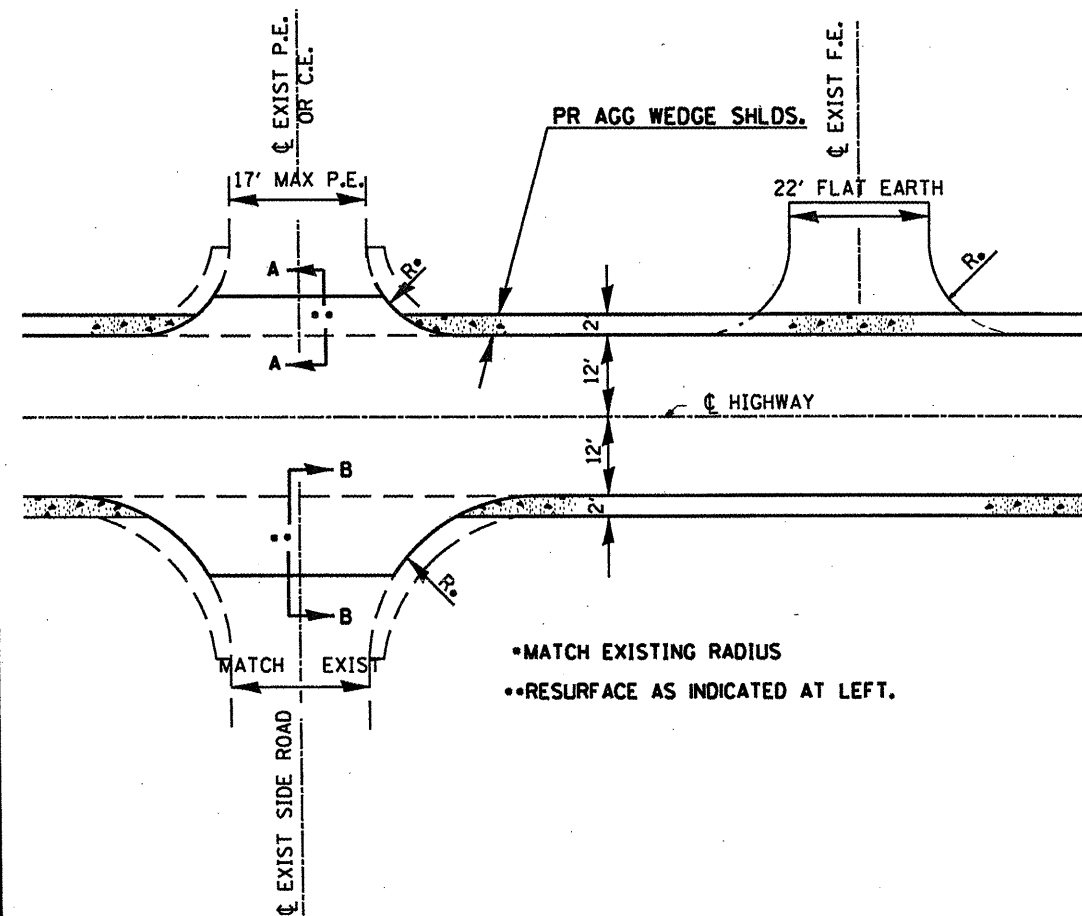
PE, CE OR FE SEC. A-A
EX. AGGREGATE SURFACE WITH BIT. APRON
•SEE ENTRANCE SCHEDULE FOR QUANTITY.



SIDE ROAD SEC. B-B
EX. OIL & CHIP SURFACE
(SEE NOTE 1)

NOTES

- IF EXISTING SUBBASE IS INADEQUATE, AS DETERMINED BY THE ENGINEER, THE SIDE ROADS SHALL BE CORING OUT AND AGGREGATE SUBBASE, TYPE B SHALL BE PLACED FOR BASE. THE COST OF CORING OUT THE SIDE ROAD AND ANY AGGREGATE BASE COURSE SHALL BE PAID FOR AS SPECIFIED IN ART. 109.04 OF THE STANDARD SPECIFICATIONS FOR ROAD AND BRIDGE CONSTRUCTION. IF EXISTING SUBBASE IS DETERMINED TO BE ADEQUATE, THE PREPARATION OF THE BASE SHALL BE CONSTRUCTED ACCORDING TO ARTICLE 406.19.
- VARIABLE SHAPING IS INCLUDED IN THE COST OF INCIDENTAL HOT-MIX ASPHALT SURFACE.



ENTRANCE SCHEDULE FOR LOCATION 1

TYPE	NUMBER OF ENTRANCES
P.E.	38
C.E.	6
F.E.	14

FILE NAME =	USER NAME = macordkr	DESIGNED -	REVISED -
ca\pw_vork\p\WIDOT\MCCOROKR\d0181703\sh	details.dgn	DRAWN -	REVISED -
		CHECKED -	REVISED -
		DATE -	REVISED -

STATE OF ILLINOIS
DEPARTMENT OF TRANSPORTATION

DETAIL - LOC. 1 SIDE ROADS AND ENTRANCES		F.A.P. RTE.	SECTION	COUNTY	TOTAL SHEETS	SHEET NO.
SCALE: _____		312	12385-5(130,131)85-4	JACKSON	35	31
SHEET NO. OF SHEETS STA. TO STA.		CONTRACT NO. 78195				
		FED. ROAD DIST. NO. ILLINOIS FED. AID PROJECT				