

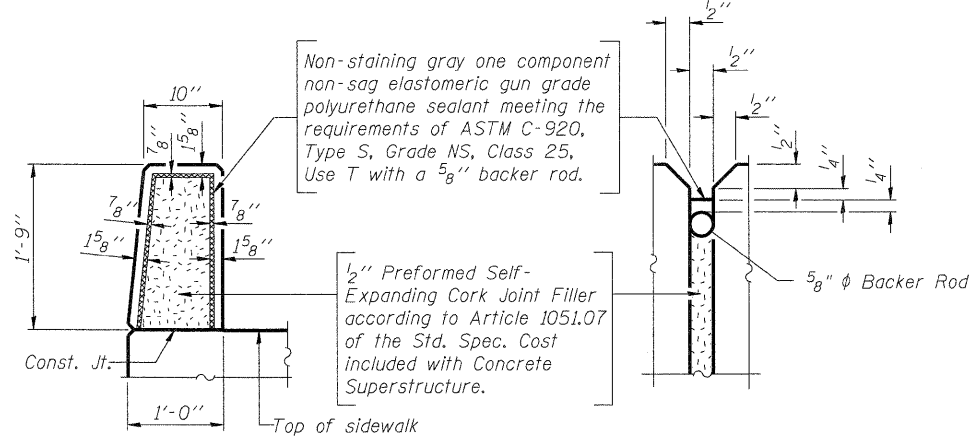
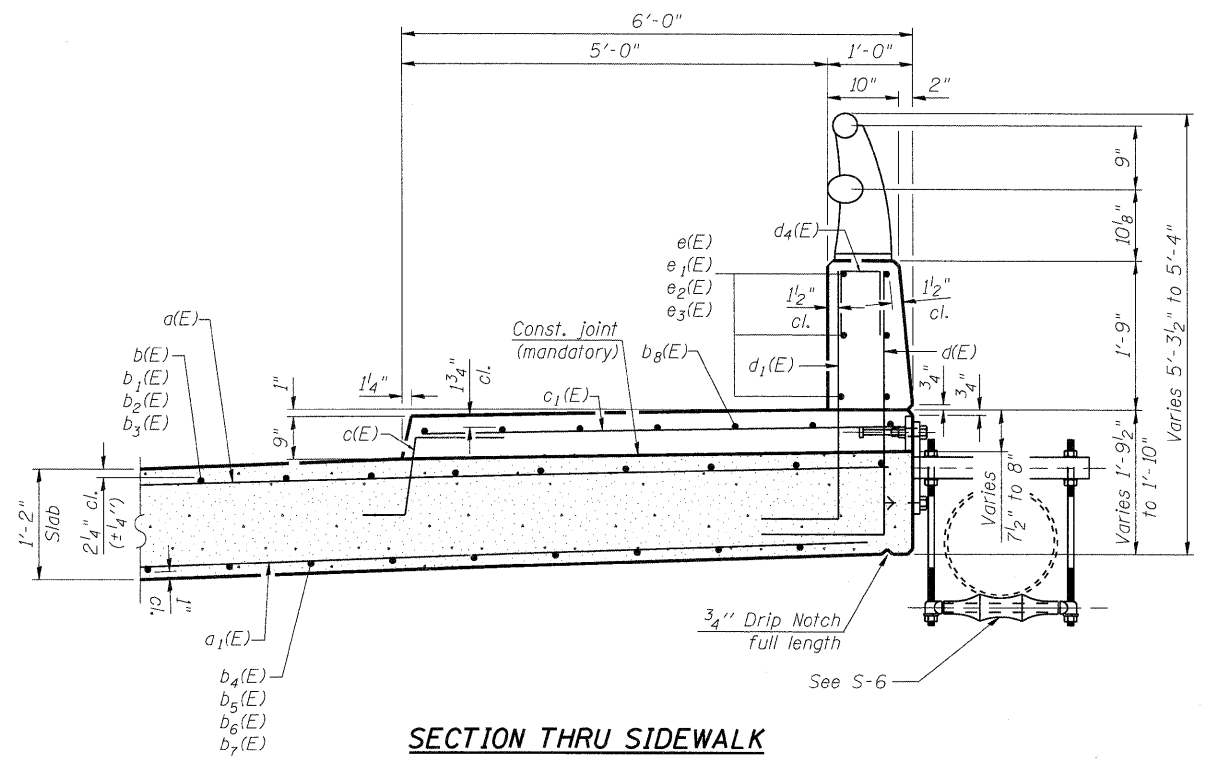
See S-7 for Rail Terminal Section Details, typ.

Provide 1/4" deep sawed joint in top of sidewalk at parapet joint locations and at the Piers. Fill with sealant indicated in the Parapet Joint Details. The sawed joints should be cut perpendicular to the C & P.G.

MINIMUM BAR LAP
(Parapet)
#4 bar = 1'-8"

INSIDE ELEVATION OF WEST PARAPET

All dimensions measured along front face of parapet



PARAPET JOINT DETAILS

SUPERSTRUCTURE DETAILS

CENTRAL AVENUE (FAU ROUTE 5102)
OVER KENT CREEK
SECTION NO. 09-00557-00-BR
CITY OF ROCKFORD
WINNEBAGO COUNTY
STRUCTURE NO. 101-6124

DATE: 1/26/10

DESIGNED	KMA
CHECKED	RGD
DRAWN	WJH
CHECKED	RGD

FILE NAME: 090026-sup02.dgn
PLOT DRIVER: pdf.plt
PEN TABLE: standard-trans.tbl 1/26/2010



SEC GROUP, INC.
An HR Green Company
420 N. Front Street, McHenry, IL 60050
L 815.365.1778 F. 815.365.1781
www.secgroupinc.com
McHenry, IL • Yorkville, IL • New Lenox, IL • Chicago, IL

SHEET NO. S-5	F.A.U. RTE.	SECTION	COUNTY	TOTAL SHEETS	SHEET NO.
	5102	09-00557-00-BR	WINNEAGO	18	12
S-9 SHEETS		CONTRACT NO.		85508	
FED. ROAD DIST. NO. 2		ILLINOIS	FED. AID PROJECT	BHM 5099 (081)	