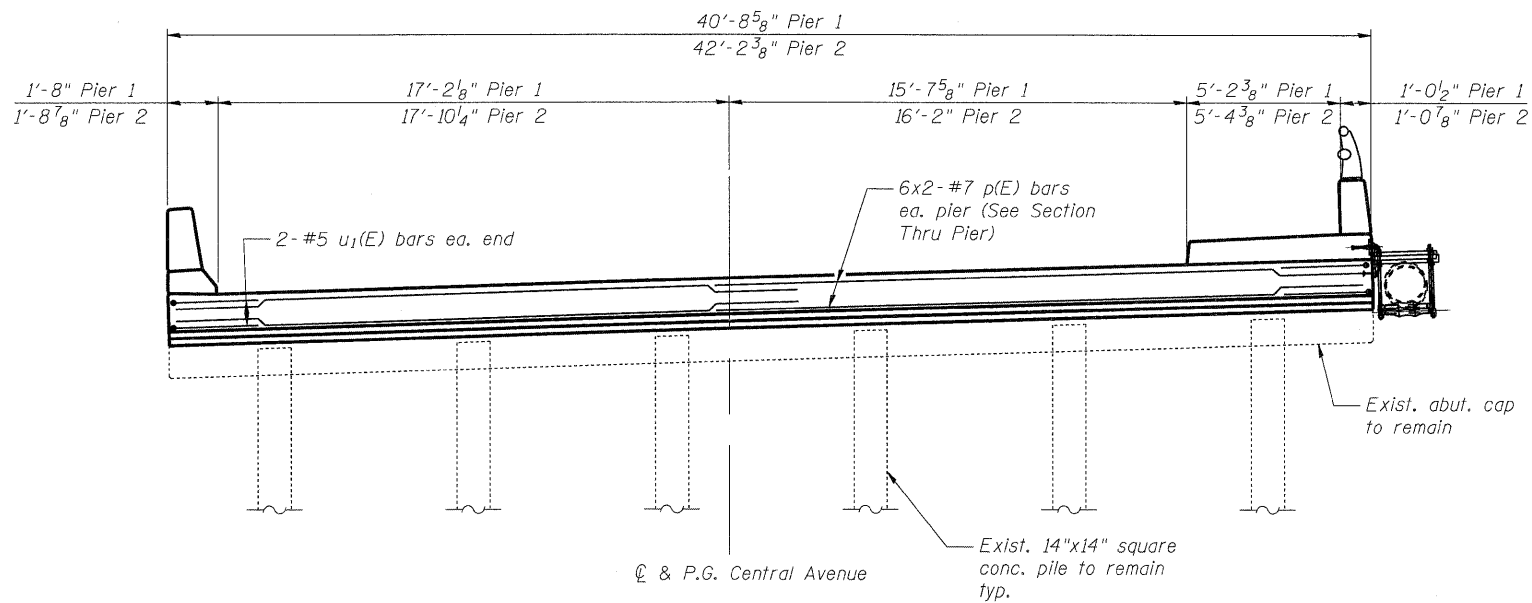


℄ & P.G. Central Avenue

ABUTMENT ELEVATION

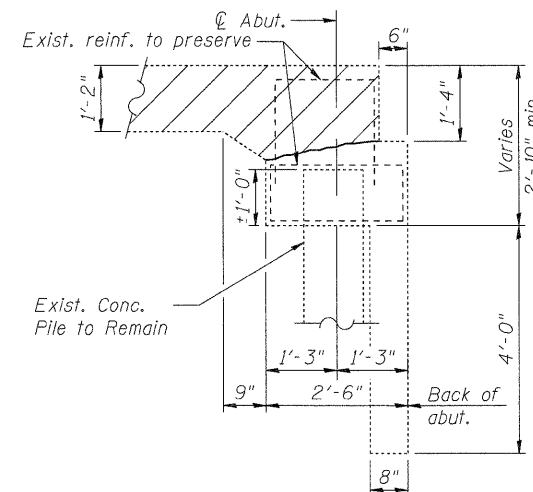
South Abutment looking South
(North Abutment similar, but opposite hand)
Dimensions along skew



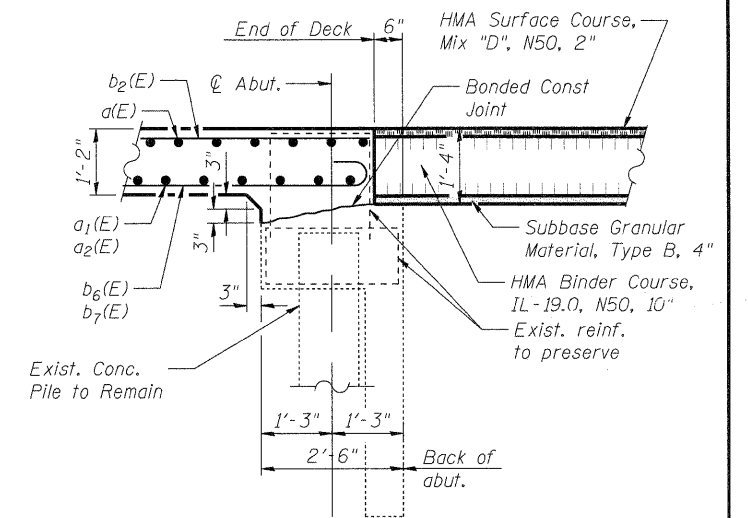
℄ & P.G. Central Avenue

PIER ELEVATION

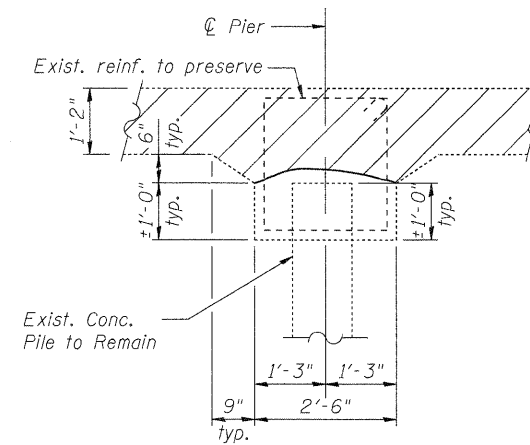
Looking South
Dimensions along skew



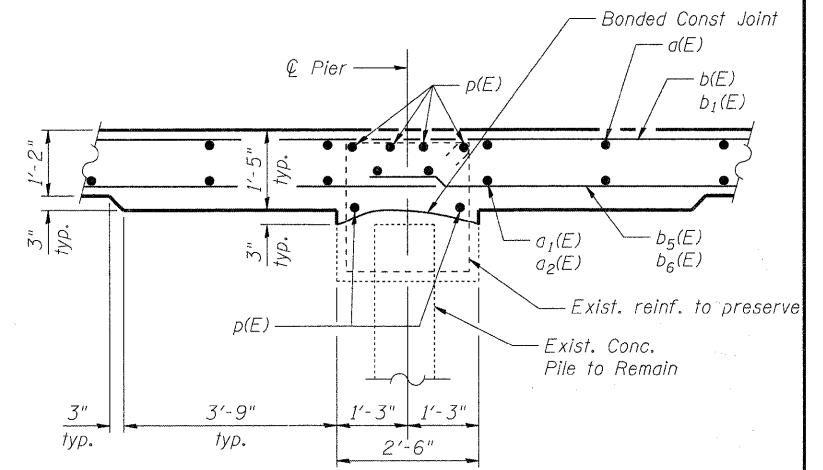
REMOVAL SECTION THRU ABUT.



SECTION THRU ABUT.



REMOVAL SECTION THRU PIER



SECTION THRU PIER

NOTES

1. See Superstructure Bill of Materials for u(E), u₁(E), and p(E) bars.
2. Existing reinforcement shall be cleaned and incorporated into the new construction. Cost included in Removal of Existing Superstructures.

SUBSTRUCTURE DETAILS

**CENTRAL AVENUE (FAU ROUTE 5102)
OVER KENT CREEK
SECTION NO. 09-00557-00-BR
CITY OF ROCKFORD
WINNEBAGO COUNTY
STRUCTURE NO. 101-6124**

DATE: 1/26/10

DESIGNED	KMA
CHECKED	RGD
DRAWN	WJH
CHECKED	RGD

FILE NAME: 090026-sub01.dgn
PLOT DRIVER: pdf.plt
PEN TABLE: standard-trans.tbl 1/26/2010

SEC GROUP, INC.
An HR Green Company
420 N. Front Street, McHenry, IL 60050
t. 815.385.1778 f. 815.385.1781
www.secgroupinc.com
McHenry, IL • Yorkville, IL • New Lenox, IL • Chicago, IL

SHEET NO. S-9	F.A.U. RTE.	SECTION	COUNTY	TOTAL SHEETS	SHEET NO.
	5102	09-00557-00-BR	WINNEAGO	18	16
S-9 SHEETS			CONTRACT NO. 85508		
FED. ROAD DIST. NO. 2 ILLINOIS			FED. AID PROJECT BHM 5099 (081)		