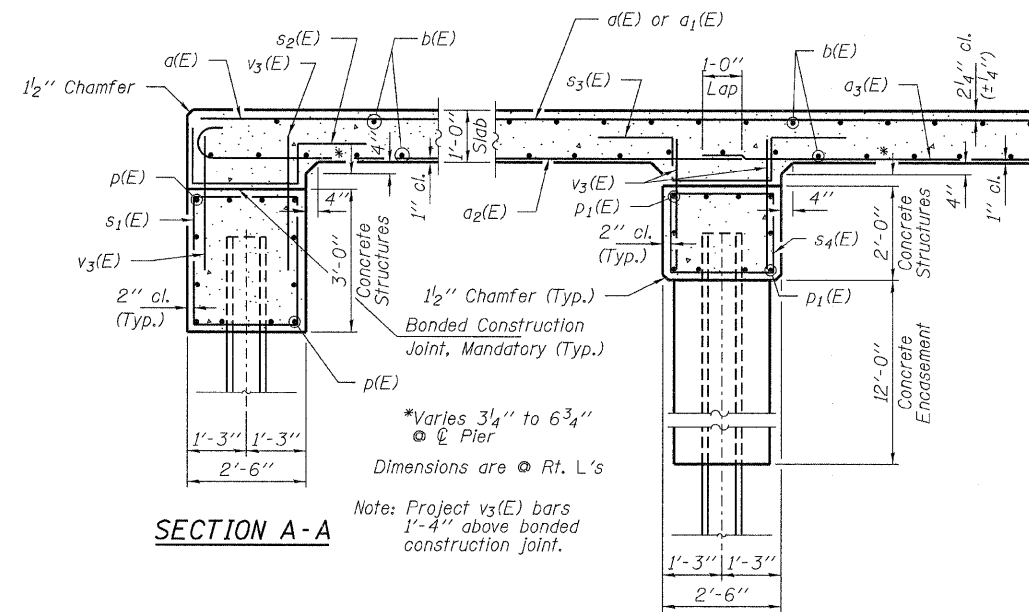
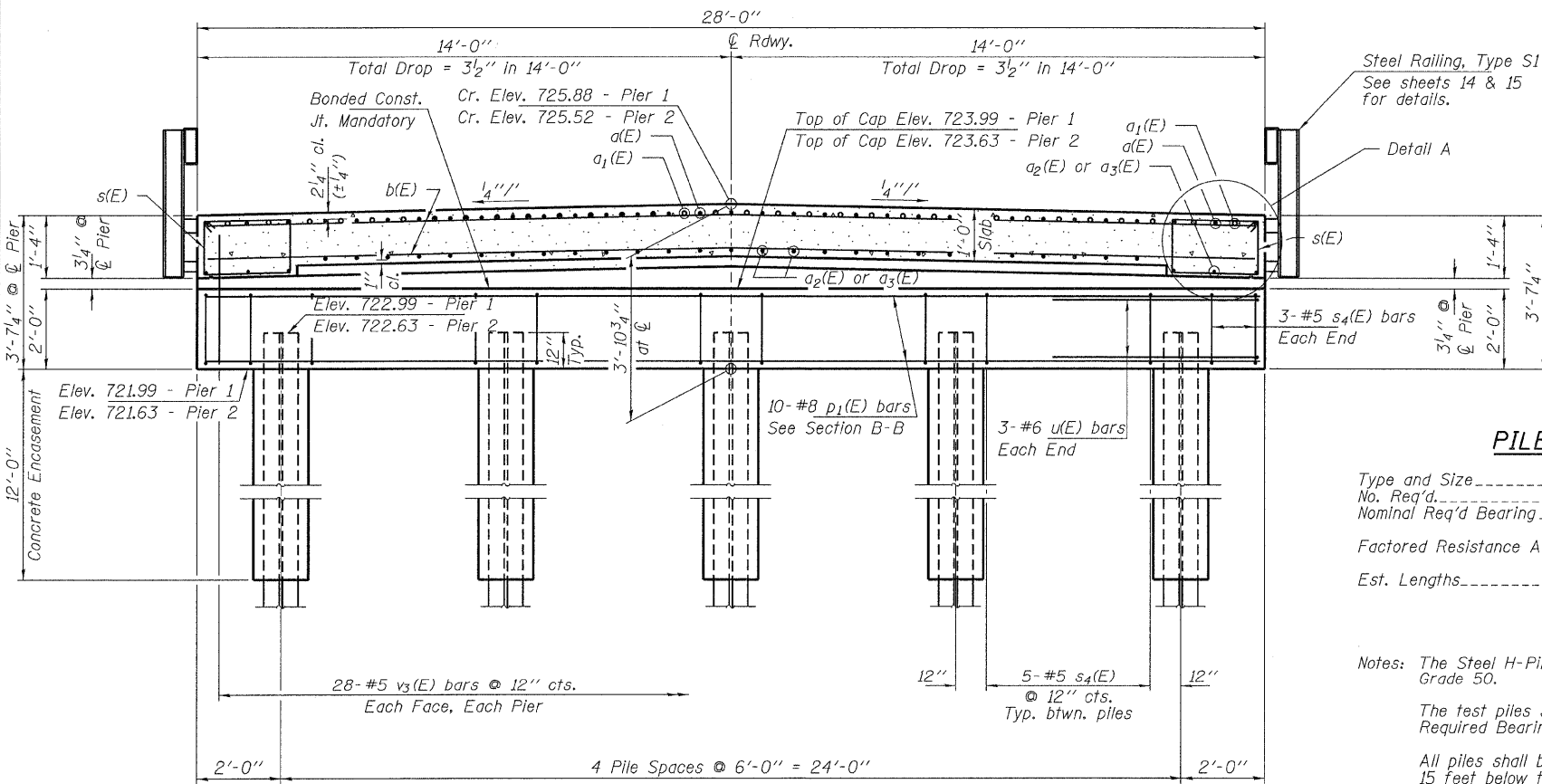


CROSS SECTION NEAR ABUTMENTS
(Looking South)



SECTION A-A

SECTION B-B



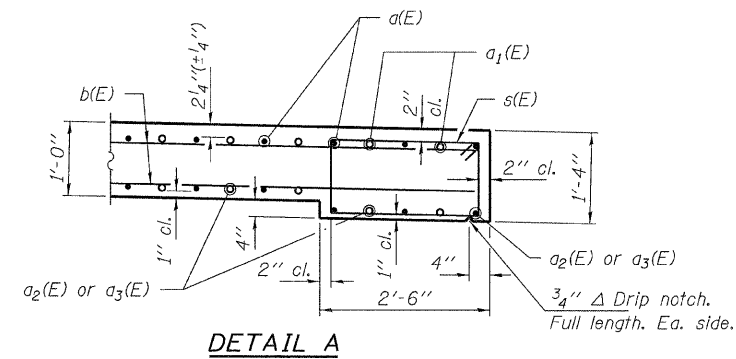
CROSS SECTION AT PIERS
(Looking South)

PILE DATA

Type and Size	Furnishing Steel Piles HP10x42
No. Req'd	*20
Nominal Req'd Bearing	136 Kips/Pile @ Abuts. 220 Kips/Pile @ Piers
Factored Resistance Available	68 Kips/Pile @ Abuts. 110 Kips/Pile @ Piers
Est. Lengths	25 Ft/Pile @ N. Abut. 35 Ft/Pile @ Pier 1 35 Ft/Pile @ Pier 2 25 Ft/Pile @ S. Abut.

Notes: The Steel H-Piles shall be according to AASHTO M270 Grade 50.
The test piles shall be driven to 110 percent of the Nominal Required Bearing indicated in the pile data information.
All piles shall be driven to a minimum tip elevation of 699.0, 15 feet below the stream flowline.

* Includes two test piles to be driven in permanent locations, one at the South Abutment and one at Pier 1.



DETAIL A

DESIGNED	- A.S.L.
CHECKED	- M.G.B.
DRAWN	- D.A.B.
CHECKED	- M.G.B.

SUPERSTRUCTURE DETAILS
STRUCTURE NO. 057-4814

HAMPTON, LENZINI AND RENWICK, INC. CIVIL ENGINEERS - STRUCTURAL ENGINEERS - LAND SURVEYORS 3085 STEVENSON DRIVE, SUITE 201 SPRINGFIELD, ILLINOIS 62703 217.546.3400 www.hlrengineering.com 184.00999 ILLINOIS PROFESSIONAL DESIGN FIRM LS / PE / SE CORPORATION PROJECT NUMBER: 07.0445.130 DATE: 03/22/10	SHEET NO. 4	T.R.	SECTION	COUNTY	TOTAL SHEETS	SHEET NO.
	8 SHEETS	155	07-20124-00-BR	McLEAN	17	13
		LAWDALE ROAD DISTRICT		CONTRACT NO. 91442		
		FED. ROAD DIST. NO.		ILLINOIS FED. AID PROJECT BROS-0113(O31)		