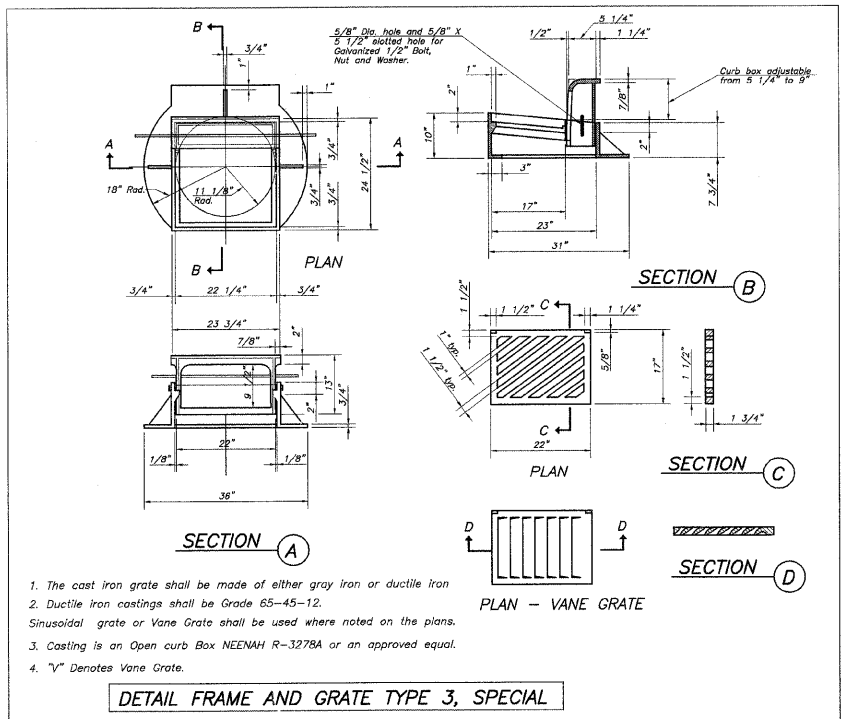
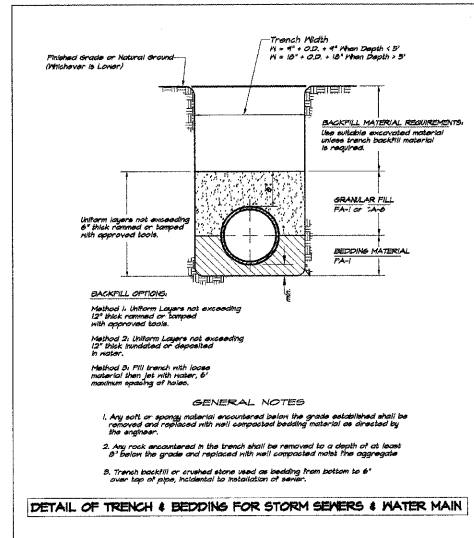
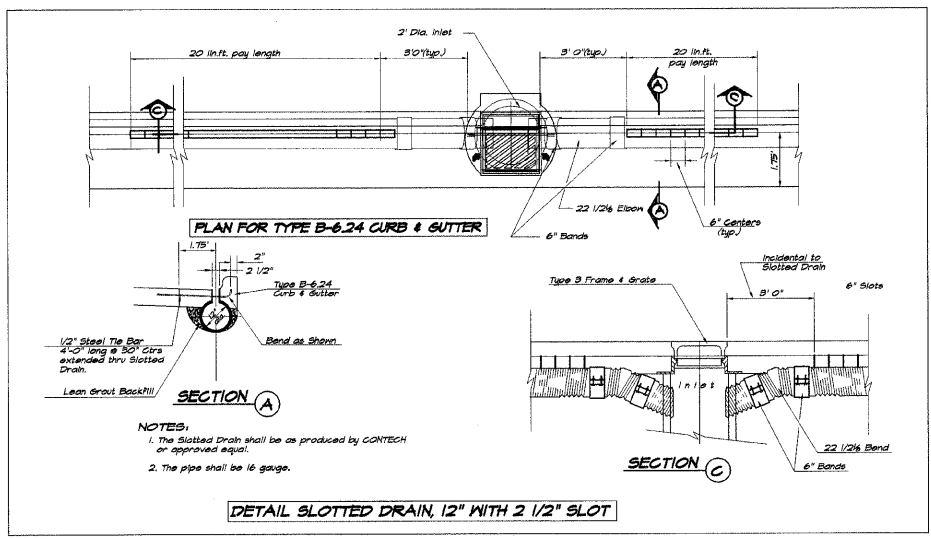
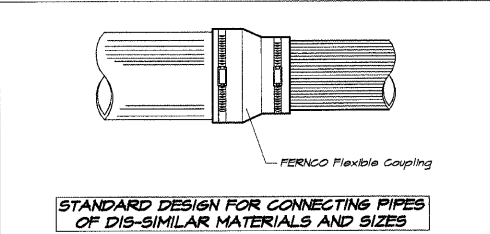
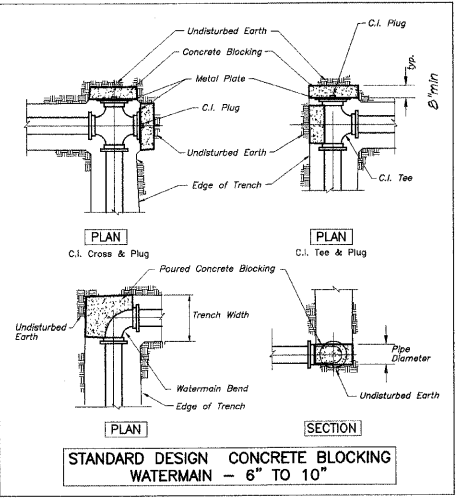
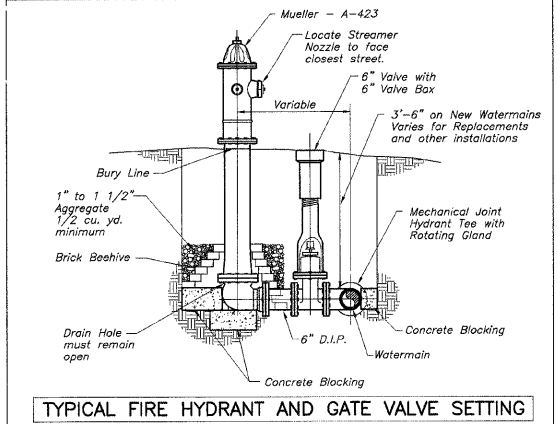
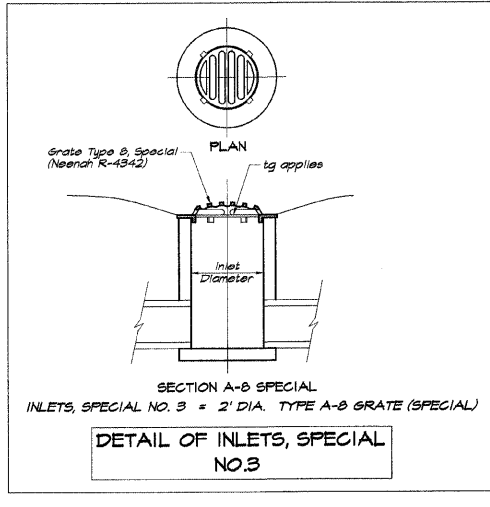
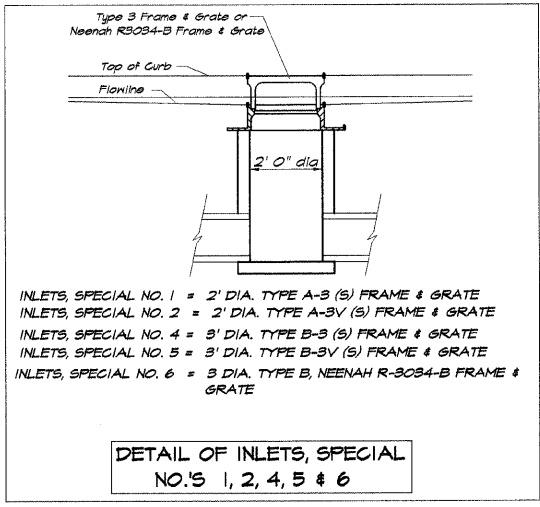
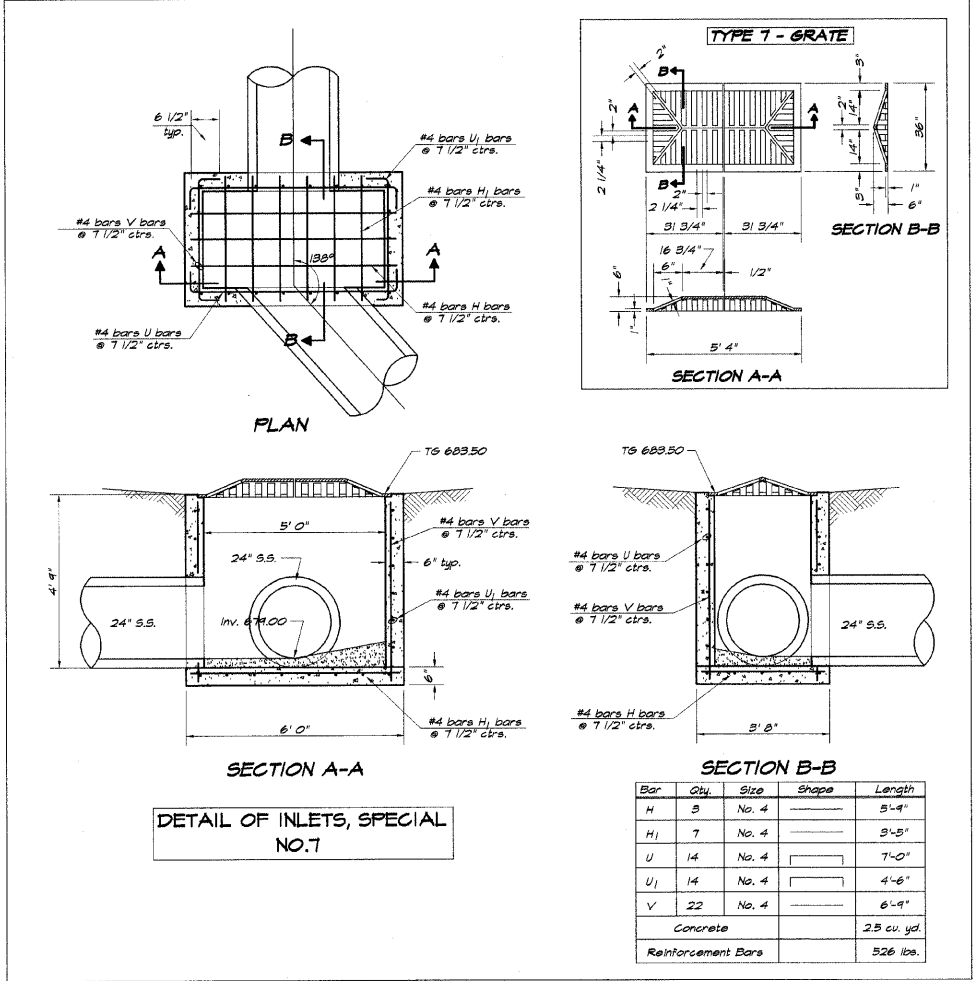


ROUTE NO.	SECTION	CITY	TOTAL SHEETS	SHEET NO.
05-00001-00-RP		OREANA	46	28
FED. ROAD DIST. NO.	ILLINOIS		PROJECT	HPP-0913 (001)

CONTRACT NUMBER 95537

REVISIONS	NO.	BY	DATE
1	MHP	1/25/07	
2	MHP	7/11/06	

DESIGNED: MHP
 DRAWN: Las Jenkins
 FIELD BOOK: CG-CAICA
 DATE: July 2006
 JOB NO.: 06-CAICA
 ILLINOIS
 DECATUR
 Illinois License 194-001285



BRIDGE & ASSOCIATES, INC.
 Consulting Engineers
 MILANSKI
 1670 SOUTH TAYLORVILLE ROAD
 DECATUR ILLINOIS

VILLAGE OF OREANA, ILLINOIS
 SAFE TRAIL PROJECT
 MISCELLANEOUS DETAILS
 SHEET NO. 28 OF 46