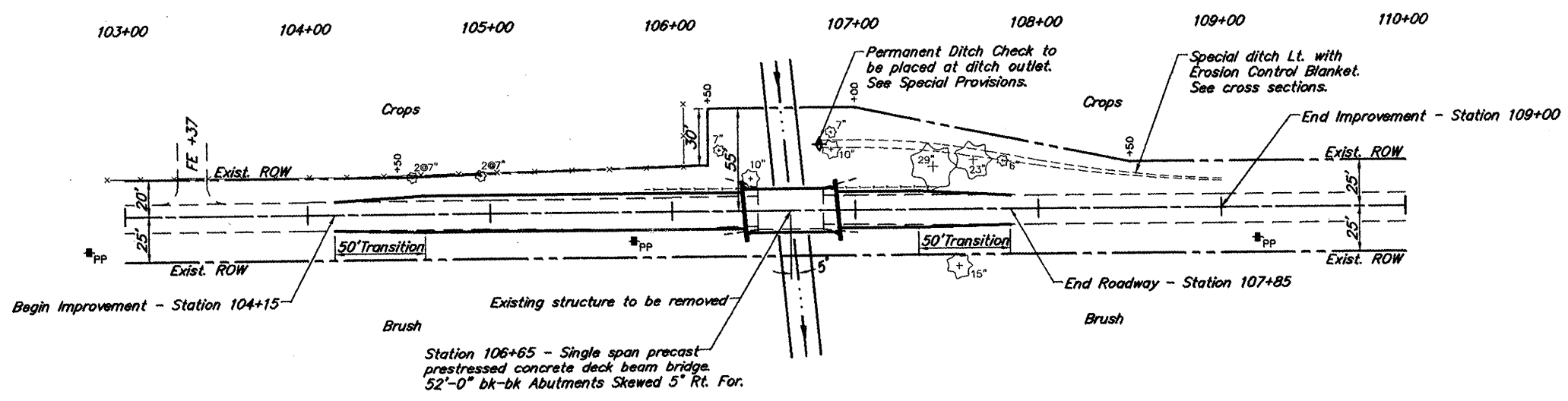
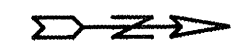


| | | | | |
|----------------------------|----------------|-----------|--------------------|-----------|
| ROUTE | SECTION | COUNTY | TOTAL SHEETS | SHEET NO. |
| TR 112 | 09-01162-00-BR | ALEXANDER | 10 | 2 |
| PROJECT NO. BROS-0003(099) | | | CONTRACT NO. 99424 | |

B.M. - RR Spike in PP
 16' Rt. Sta. 105+79
 Assumed Elev. 410.00

Existing Structure - Precast concrete deck beams on closed timber abutments with concrete caps. 22.7' W x 35.74' L.



| Station | Offset | 6-15 | >15 |
|---------|---------|------|-----|
| 106+26 | 33' Lt. | 7 | |
| 106+43 | 18' Lt. | 10 | |
| 106+87 | 33' Lt. | 10 | |
| 106+87 | 42' Lt. | 7 | |
| 107+43 | 23' Lt. | | 29 |
| 107+65 | 27' Lt. | | 23 |
| 107+81 | 26' Lt. | 6 | |
| Totals | | 40 | 52 |

