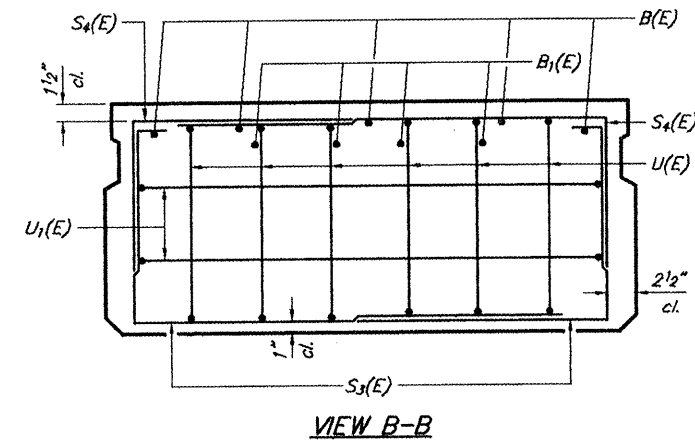
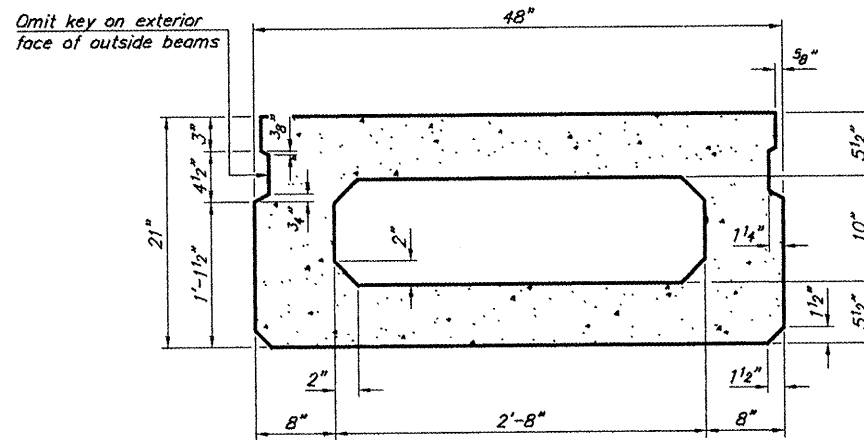
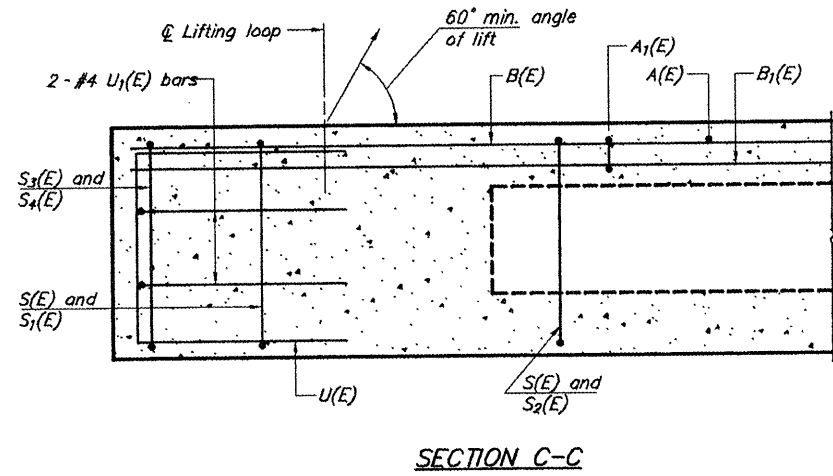
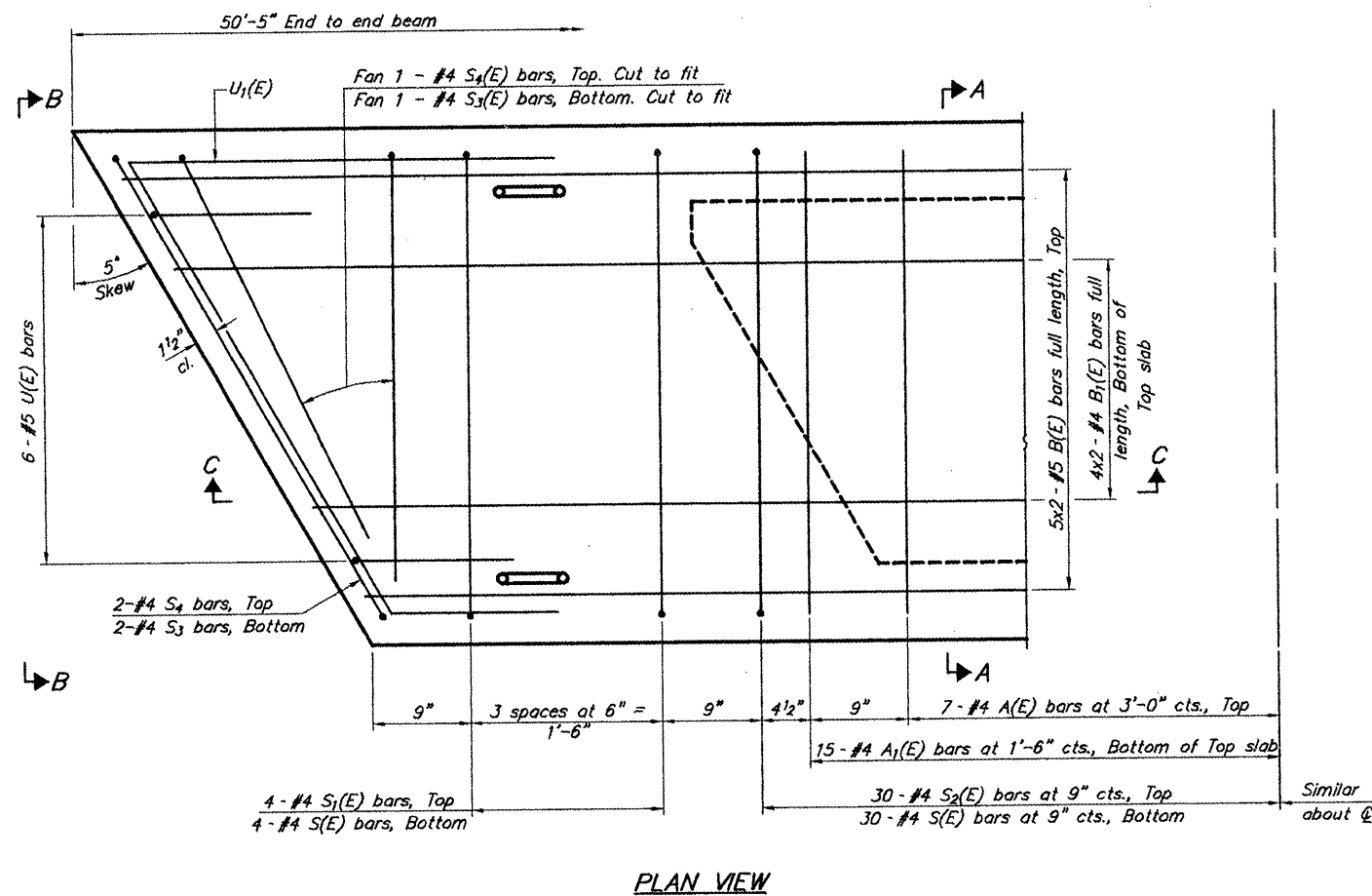


ROUTE	SECTION	COUNTY	TOTAL SHEETS	SHEET NO
TR 112	09-01162-00-BR	ALEXANDER	10	4
PROJECT NO. BROS-0003(099)			CONTRACT NO. 99424	

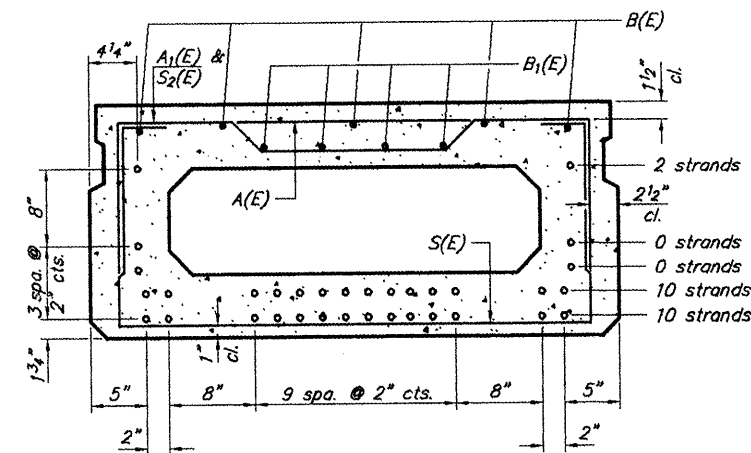


SECTION A-A  
(Showing dimensions)



PLAN VIEW

Note: Spacing of S(E) and S2(E) bars may be adjusted up to 4" in the immediate area of the transverse tie diaphragms to miss the block outs for the transverse ties.



SECTION A-A

(Showing reinforcement and permissible strand locations)

Note: Place the number of strands specified in each row symmetrically about the centerline of beam in the permissible strand locations shown.

BAR LIST  
ONE BEAM ONLY  
(For information only)

Bar	No.	Size	Length	Shape
A(E)	14	#4	3'-7"	—
A1(E)	30	#4	3'-10"	—
B(E)	10	#5	26'-1"	—
B1(E)	8	#4	25'-10"	—
S(E)	68	#4	7'-5"	□
S1(E)	8	#4	5'-11"	□
S2(E)	60	#4	6'-2"	□
S3(E)	6	#4	4'-7"	□
S4(E)	6	#4	3'-10"	□
U(E)	12	#5	4'-0"	□
U1(E)	4	#4	6'-4"	□

Bar Laps #4 bars = 1'-8"  
#5 bars = 2'-2"

21" X 48" PPC DECK BEAM  
TOWNSHIP ROUTE 112 (WHITNEY HOLLOW ROAD)  
COOPER CREEK  
SECTION 09-01162-00-BR  
ALEXANDER COUNTY  
STRUCTURE NO. 002-3108