

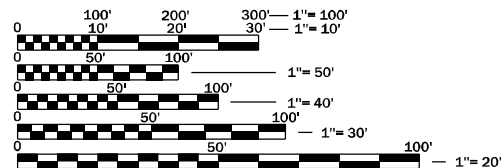
07-30-2021 LETTING ITEM 002

INDEX OF SHEETS

- 1 . COVER SHEET
- 2 . GENERAL NOTES
- 3 . SUMMARY OF QUANTITIES
- 4 - 8 . TYPICAL SECTIONS
- 9 - 11 . LOCATION MAPS
- 12 . SCHEDULES
- 13 . TYPICAL PAVEMENT MARKING

STANDARDS

- 701301-04 LANE CLOSURE, 2L, 2W, SHORT TIME OPERATIONS
- 701306-04 LANE CLOSURE, 2L, 2W, SLOW MOVING OPERATIONS DAY ONLY, FOR SPEEDS ≥ 45 MPH
- 701311-03 LANE CLOSURE, 2L, 2W, MOVING OPERATIONS - DAY ONLY
- 701400-10 APPROACH TO LANE CLOSURE, FREEWAY/EXPRESSWAY
- 701401-12 LANE CLOSURE, FREEWAY/EXPRESSWAY
- 701411-09 LANE CLOSURE, MULTILANE, AT ENTRANCE OR EXIT RAMP FOR SPEEDS ≥ 45 MPH
- 701426-09 LANE CLOSURE, MULTILANE INTERMITTENT OR MOVING OPERATION, FOR SPEEDS ≥ 45 MPH
- 701428-01 TRAFFIC CONTROL, SETUP AND REMOVAL, FREEWAY/EXPRESSWAY
- 701501-06 URBAN LANE CLOSURE, 2L, 2W, UNDIVIDED
- 701502-09 URBAN LANE CLOSURE 2L, 2W, WITH BIDIRECTIONAL LEFT TURN LANE
- 701901-08 TRAFFIC CONTROL DEVICES



FULL SIZE PLANS HAVE BEEN PREPARED USING STANDARD ENGINEERING SCALES. REDUCED SIZED PLANS WILL NOT CONFORM TO STANDARD SCALES. IN MAKING MEASUREMENTS ON REDUCED PLANS, THE ABOVE SCALES MAY BE USED.

J.U.L.I.E.
JOINT UTILITY LOCATION INFORMATION FOR EXCAVATION
1-800-892-0123
OR 811

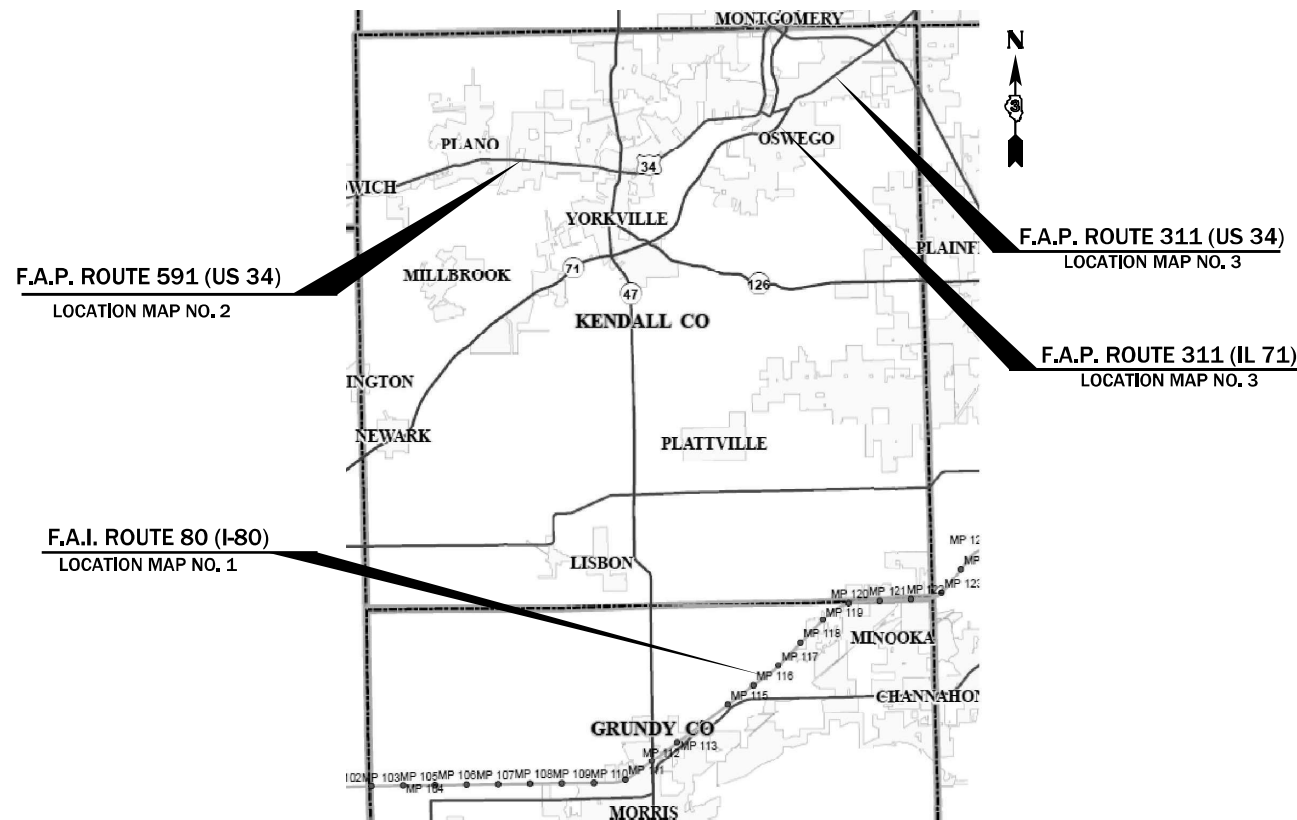
PROJECT ENGINEER: YOGESH PATEL P.E.
UNIT CHIEF: RON WOODSHANK
DISTRICT 3 NO. (815) 434-6131
CONTRACT NO. 46584

STATE OF ILLINOIS
DEPARTMENT OF TRANSPORTATION

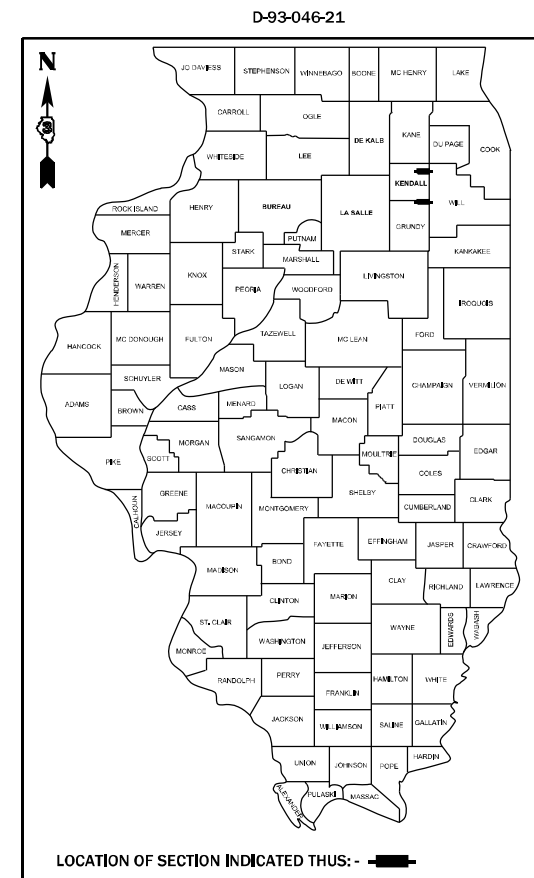
**PROPOSED
HIGHWAY PLANS**

VARIOUS ROUTES
SECTION D 3 GRVD INT PVMNT MRK 22-20
PAVEMENT MARKING
GRUNDY AND KENDALL COUNTIES

M-60-020-22



F.A. RTE.	SECTION	COUNTY	TOTAL SHEETS	SHEET NO.
VARIOUS	D 3 GRVD INT PVMNT MRK 22-20	*	13	1
*GRUNDY & KENDALL		ILLINOIS	CONTRACT NO. 46584	



LOCATION OF SECTION INDICATED THIS: -

FUNCTIONAL CLASSIFICATION			
URBAN - INTERSTATE	F.A.I. ROUTE 80 (I-80)	URBAN - OTHER PRINCIPLE ARTERIAL	F.A.P. 311 (IL 71)
2019 ADT = 40,500		2019 ADT = 18,800	
P.V. 69.4%	S.U. 4.2%	M.U. 26.4%	P.V. 93.3%
			S.U. 3.8%
			M.U. 2.9%
URBAN - OTHER PRINCIPLE ARTERIAL	F.A.P. 591 (US 34)	URBAN - OTHER PRINCIPLE ARTERIAL	F.A.P. 311 (US 34)
2019 ADT = 15,000		2019 ADT = 29,300	
P.V. 88.1%	S.U. 8.8%	M.U. 3.1%	P.V. 93.0%
			S.U. 4.0%
			M.U. 3.0%

STATE OF ILLINOIS
DEPARTMENT OF TRANSPORTATION

SUBMITTED June 21, 2021

[Signature]
REGIONAL ENGINEER

June 25, 2021
[Signature]
ENGINEER OF DESIGN AND ENVIRONMENT

June 25, 2021
[Signature]
DIRECTOR OF HIGHWAYS PROJECT IMPLEMENTATION

**PRINTED BY THE AUTHORITY
OF THE STATE OF ILLINOIS**

GENERAL NOTES

PLAN DIMENSIONS AND DETAILS RELATIVE TO EXISTING PLANS ARE SUBJECT TO NOMINAL CONSTRUCTION VARIATIONS. THE CONTRACTOR SHALL FIELD VERIFY EXISTING DIMENSIONS AND DETAILS AFFECTING NEW CONSTRUCTION AND MAKE NECESSARY APPROVED ADJUSTMENTS PRIOR TO CONSTRUCTION OR ORDERING OF MATERIALS. SUCH VARIATIONS SHALL NOT BE CAUSE FOR ADDITIONAL COMPENSATION FOR A CHANGE IN SCOPE OF THE WORK; HOWEVER, THE CONTRACTOR WILL BE PAID FOR THE QUANTITY ACTUALLY FURNISHED AT THE UNIT PRICE BID FOR THE WORK.

ANY REFERENCE TO A STANDARD IN THESE PLANS SHALL BE INTERPRETED TO MEAN THE EDITION AS INDICATED BY THE SUBNUMBER SHOWN IN THE LIST OF STANDARDS OR THE COPY INCLUDED IN THESE PLANS.

COMMITMENTS

STATE OF ILLINOIS
DEPARTMENT OF TRANSPORTATION
DISTRICT THREE
AS BUILT INFORMATION

SUPERVISING CONSTRUCTION FIELD ENGINEER

RESIDENT ENGINEER / TECHNICIAN

START & END DATES
OF CONSTRUCTION:

INSPECTORS:

STATE OF ILLINOIS
DEPARTMENT OF TRANSPORTATION
DISTRICT THREE

PREPARED BY: _____
DISTRICT STUDIES & PLANS ENGINEER

DATE: _____

EXAMINED BY: _____
DISTRICT CONSTRUCTION ENGINEER

DISTRICT MATERIALS ENGINEER

DISTRICT OPERATIONS ENGINEER

FILE NAME =	USER NAME = woodshank1	DESIGNED - RW	REVISED -
pw:\planroom\dot\illinois.gov\PWIDOT\Documents\IDOT	Offices\District 3\Projects\I346584\CADData\I346584-PLANS.dgn	DRAWN - RW	REVISED -
Default	PLOT SCALE = 100,0000' / in.	CHECKED - YP	REVISED -
	PLOT DATE = 4/28/2021	DATE - 3/5/2020	REVISED -

**STATE OF ILLINOIS
DEPARTMENT OF TRANSPORTATION**

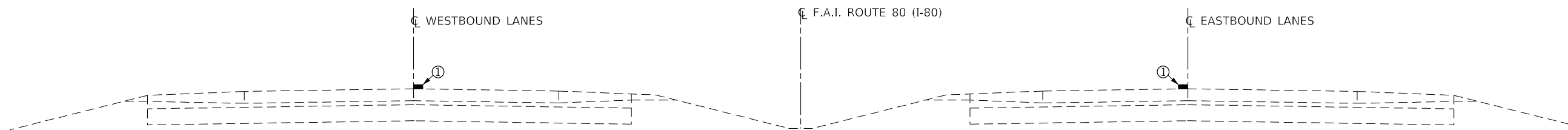
GENERAL NOTES

SCALE: SHEET 1 OF 1 SHEETS STA. TO STA.

F.A. RTE.	SECTION	COUNTY	TOTAL SHEETS	SHEET NO.
VARIOUS	D 3 GRVD INT PVMNT MRK 22-20	*	1	2
*GRUNDY & KENDALL		CONTRACT NO. 46584		
ILLINOIS		FED. AID PROJECT		

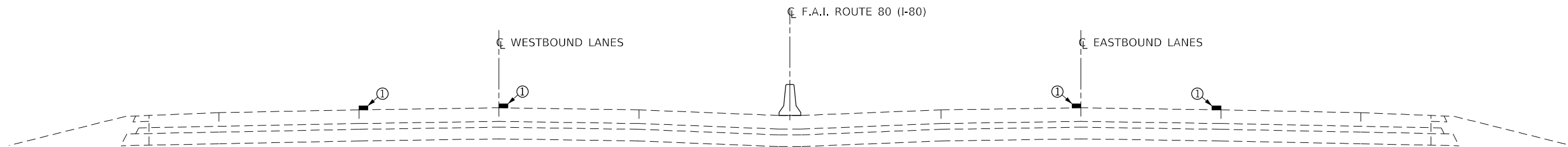
CODE NO.	ITEM	UNIT	TOTAL QUANTITY	CONSTRUCTION CODE	
				100% STATE	
				GRUNDY COUNTY PAVEMENT MARKING	KENDALL COUNTY PAVEMENT MARKING
				0021 URBAN	0021 URBAN
67100100	MOBILIZATION	L SUM	1	0.5	0.5
70100800	TRAFFIC CONTROL AND PROTECTION, STANDARD 701401	L SUM	1	1	
78300202	PAVEMENT MARKING REMOVAL - WATER BLASTING	SQ FT	26317	15835	10482
X0320100	GROOVING FOR RECESSED PAVEMENT MARKING 10"	FOOT	52634	31670	20964
X2700029	PREFORMED PLASTIC PAVEMENT MARKING, TYPE D - LINE 9" (INSTALL ONLY)	FOOT	52634	31670	20964

FILE NAME =	USER NAME = woodshankr	DESIGNED - RW	REVISED -	STATE OF ILLINOIS DEPARTMENT OF TRANSPORTATION	SUMMARY OF QUANTITIES	F.A. RTE.	SECTION	COUNTY	TOTAL SHEETS	SHEET NO.
pw:\planroom.dot.illinois.gov:PWIDOT\Documents\IDOT\offices\District 3\Projects\0346584\CADData\0346584-PLANS.dwg	DRAWN - RW	REVISED -	VARIOUS			D 3 GRVD INT PVMNT MRK 22-20	*	13	3	
Default	PLOT SCALE = 100.0000 /in.	CHECKED - YP	REVISED -			*GRUNDY & KENDALL		CONTRACT NO. 46584		
	PLOT DATE = 5/8/2021	DATE - 3/5/2020	REVISED -			SCALE:	SHEET 1 OF 1 SHEETS	STA. TO STA.	ILLINOIS FED. AID PROJECT	



TYPICAL SECTION 1

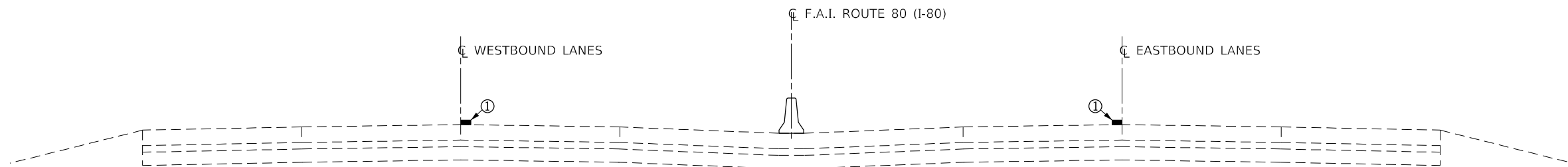
M.M. 11.7 TO M.M. 115.3



TYPICAL SECTION 2

M.M. 115.3 TO M.M. 116.3
M.M. 121.2 TO M.M. 122.0

① PREFORMED PLASTIC PAVEMENT MARKING, TYPE D - LINE 9" (INSTALL ONLY)
(6" WHITE STRIPE AND 1½" BLACK BORDER)



TYPICAL SECTION 3

M.M. 116.3 TO M.M. 121.2

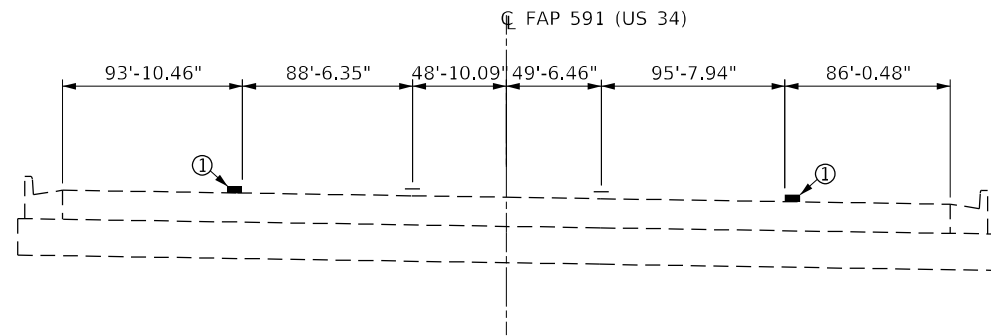
FILE NAME =	USER NAME = woodshank1	DESIGNED - RW	REVISED -
pw:\planroom\dot\illinois.gov\PWIDOT\Documents\IDOT\offices\District 3\Projects\I346584\CADData\I346584-PLANS.dgn		DRAWN - RW	REVISED -
Default		CHECKED - YP	REVISED -
		DATE - 3/5/2020	REVISED -

**STATE OF ILLINOIS
DEPARTMENT OF TRANSPORTATION**

**TYPICAL SECTIONS - LOCATION 1
F.A.I. 80 (I-80)**

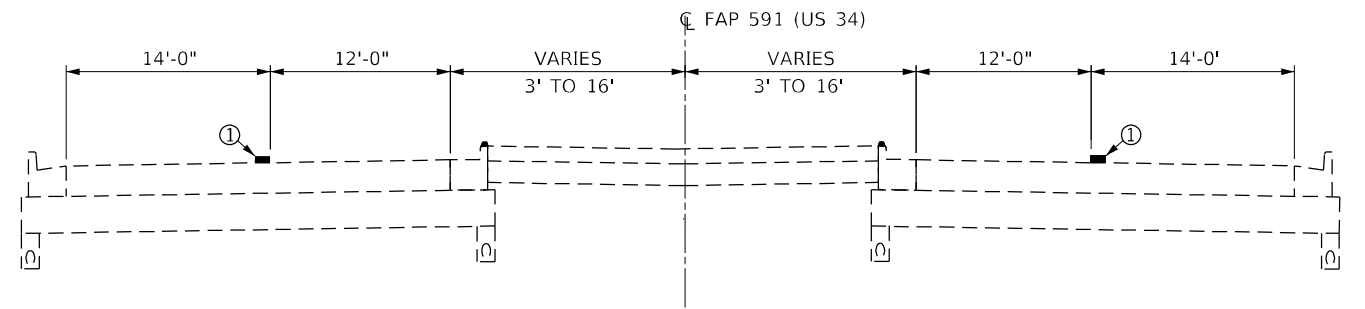
SCALE: SHEET 1 OF 1 SHEETS STA. TO STA.

F.A. RTE.	SECTION	COUNTY	TOTAL SHEETS	SHEET NO.
VARIOUS	D 3 GRVD INT PVMNT MRK 22-20	*	13	4
*GRUNDY & KENDALL		CONTRACT NO. 46584		
ILLINOIS		FED. AID PROJECT		



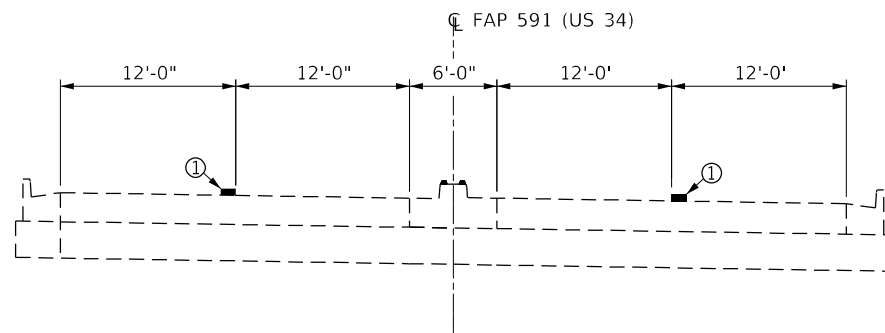
TYPICAL SECTION NO. 1

STA. 7+00.00 TO STA. 12+85.37



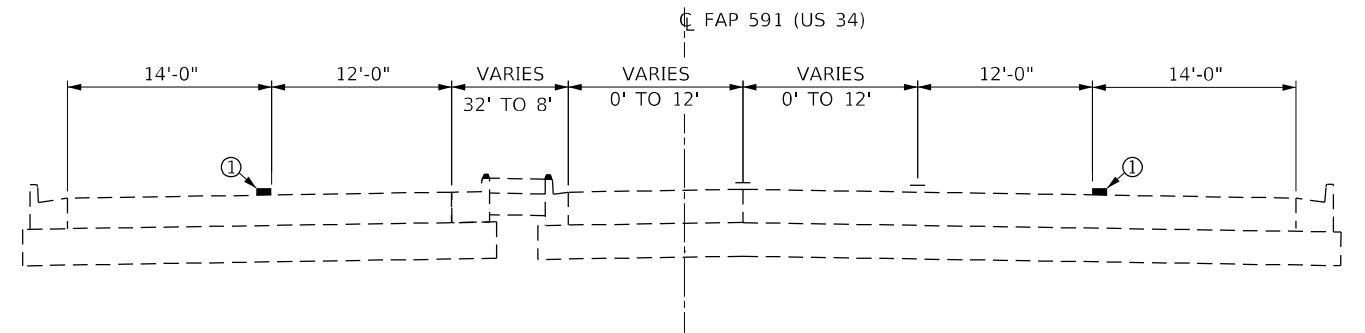
TYPICAL SECTION NO. 4

STA. 25+99.87 TO STA. 32+49.42
STA. 42+96.19 TO STA. 57+42.56



TYPICAL SECTION NO. 2

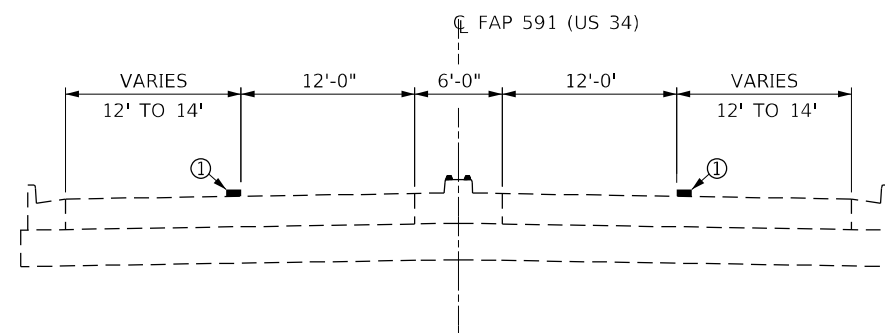
STA. 12+85.37 TO STA. 19+27.28



TYPICAL SECTION NO. 5

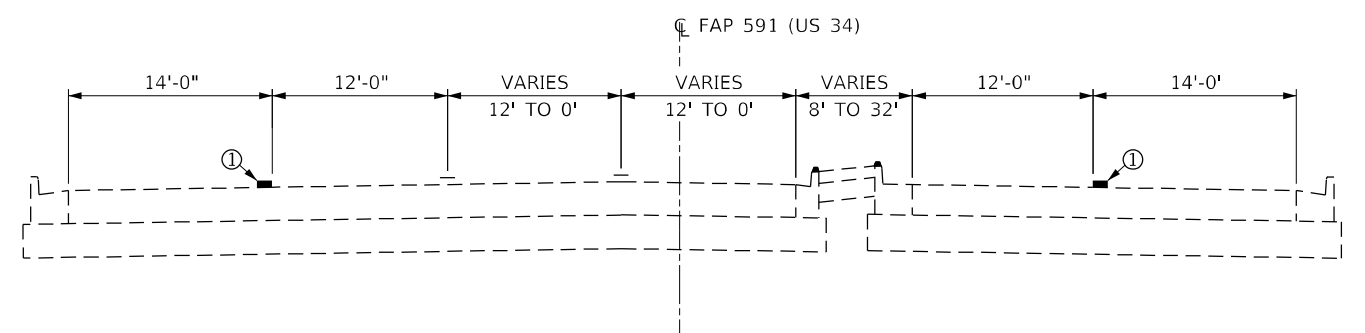
STA. 32+49.42 TO STA. 37+09.74

① PREFORMED PLASTIC PAVEMENT MARKING, TYPE D - LINE 9" (INSTALL ONLY)
(6" WHITE STRIPE AND 1½" BLACK BORDER)



TYPICAL SECTION NO. 3

STA. 19+27.28 TO STA. 19+67.75
STA. 21+29.79 TO STA. 25+99.87



TYPICAL SECTION NO. 6

STA. 37+09.74 TO STA. 42+96.19

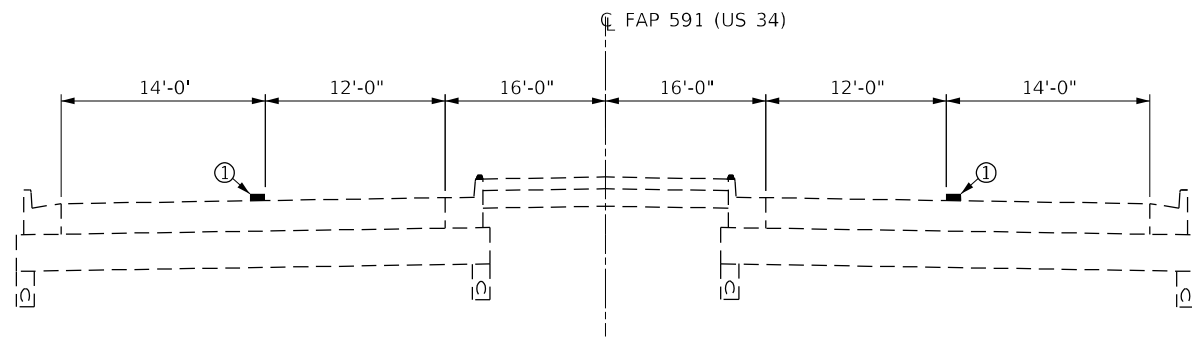
FILE NAME =	USER NAME = woodshank1	DESIGNED - RW	REVISED -
pw:\planroom.dot\illinois.gov\PWIDOT\Documents\IDOT\	offices\District 3\Projects\D346584\CADData\D346584-PLANS.dgn	DRAWN - RW	REVISED -
Default	PLOT SCALE = 100,0000' / in.	CHECKED - YP	REVISED -
	PLOT DATE = 4/28/2021	DATE - 3/5/2020	REVISED -

**STATE OF ILLINOIS
DEPARTMENT OF TRANSPORTATION**

**TYPICAL SECTIONS - LOCATION 2
F.A.P. 591 (US 34)**

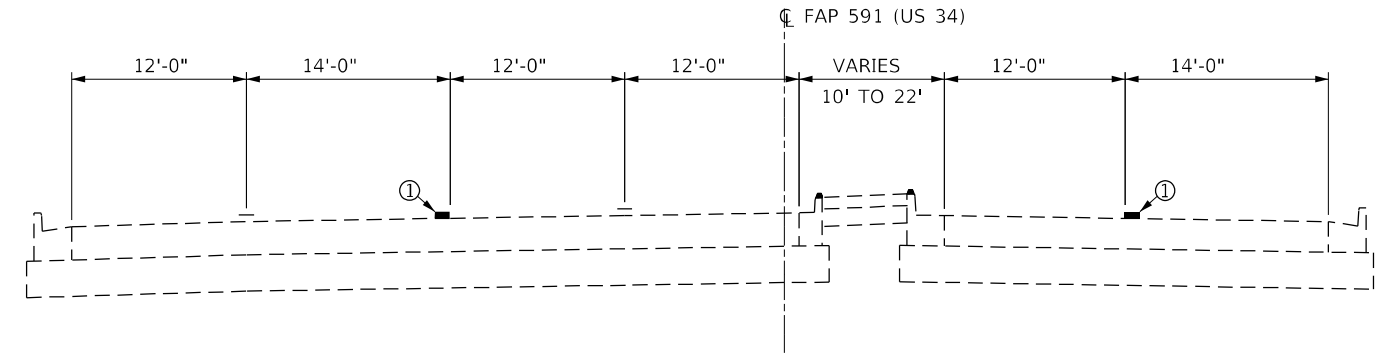
SCALE: SHEET 1 OF 2 SHEETS STA. TO STA.

F.A. RTE.	SECTION	COUNTY	TOTAL SHEETS	SHEET NO.
VARIOUS	D 3 GRVD INT PVMNT MRK 22-20	*	13	5
*GRUNDY & KENDALL		CONTRACT NO. 46584		
ILLINOIS		FED. AID PROJECT		



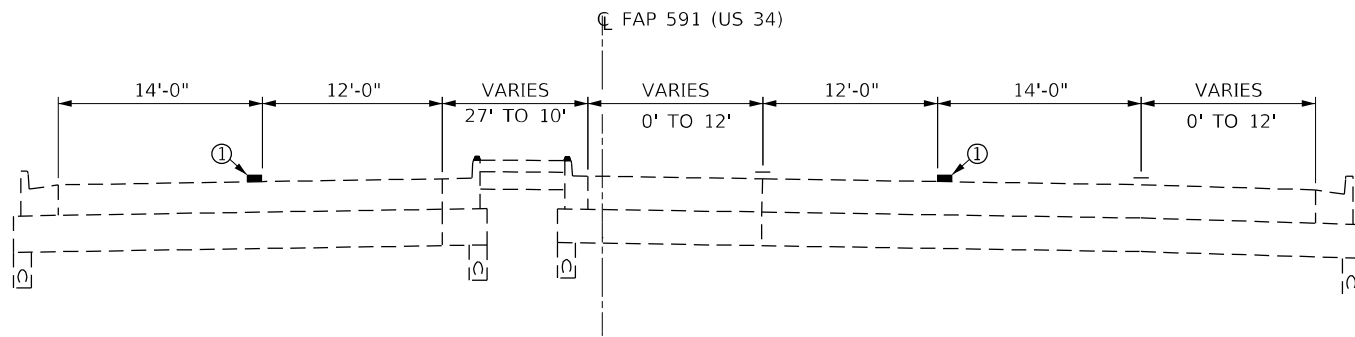
TYPICAL SECTION NO. 7

STA. 57+42.56 TO STA. 60+60.36



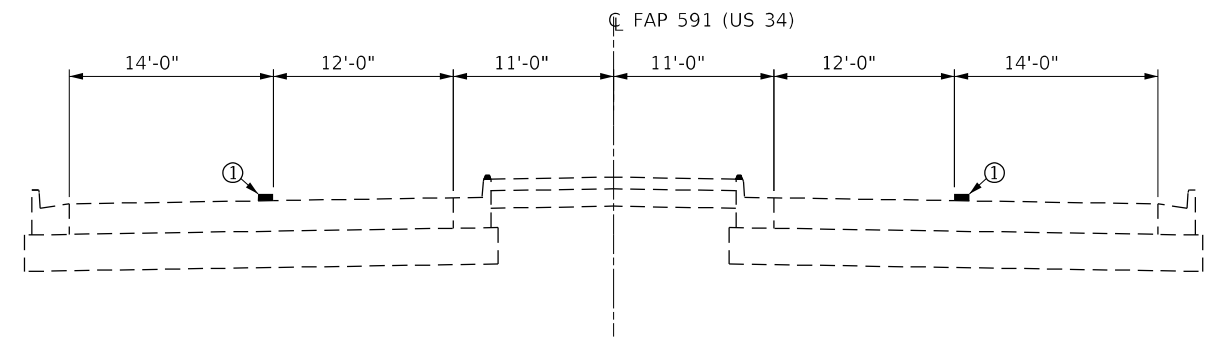
TYPICAL SECTION NO. 10

STA. STA. 67+63.89 TO 69+63.63



TYPICAL SECTION NO. 8

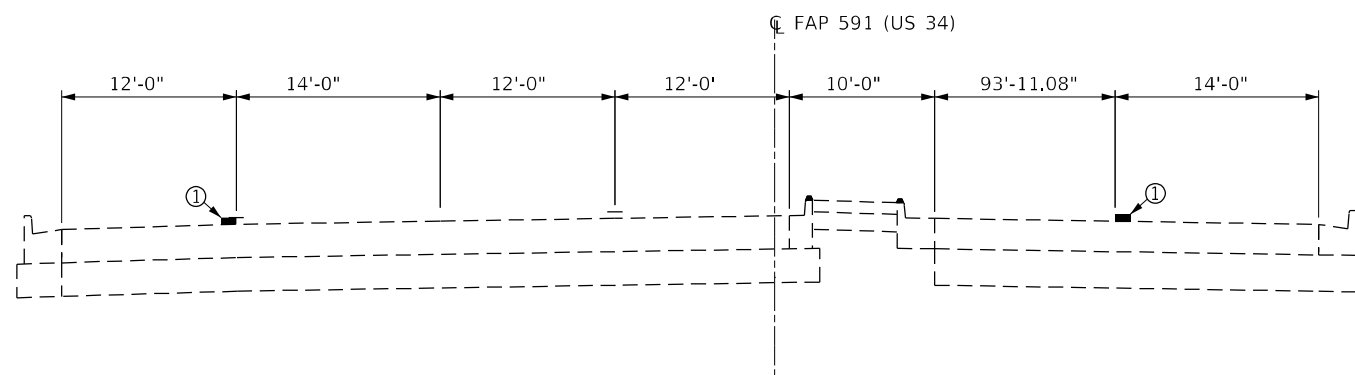
STA. 60+60.36 TO STA. 64+63.69



TYPICAL SECTION NO. 11

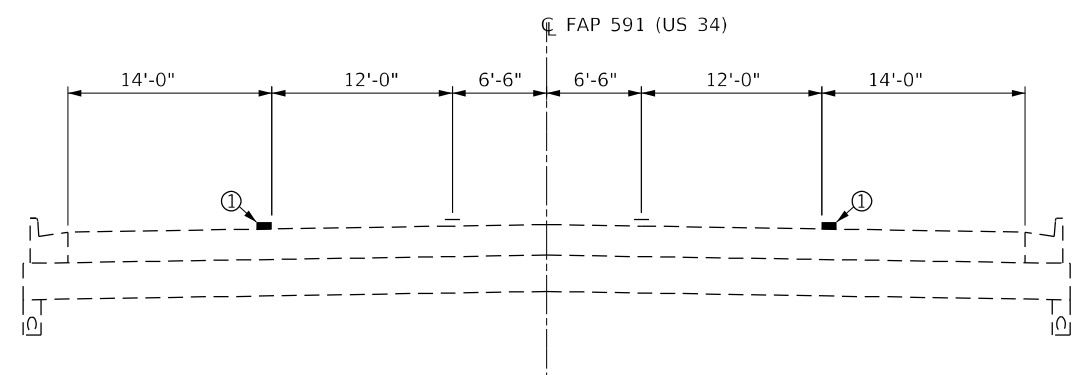
STA. 69+63.63 TO STA. 72+38.06

① PREFORMED PLASTIC PAVEMENT MARKING, TYPE D - LINE 9" (INSTALL ONLY)
(6" WHITE STRIPE AND 1½" BLACK BORDER)



TYPICAL SECTION NO. 9

STA. STA. 64+63.69 TO 67+63.89



TYPICAL SECTION NO. 12

STA. 72+38.06 TO STA. 119+13.23

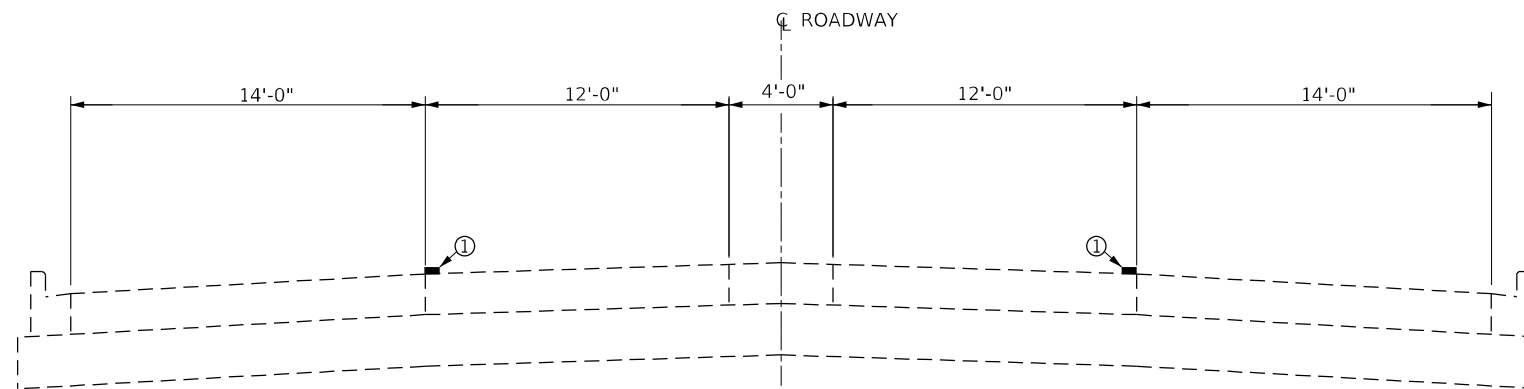
FILE NAME =	USER NAME = woodshank1	DESIGNED - RW	REVISED -
pw:\planroom\dot\illinois.gov\PWIDOT\Documents\IDOT\Offices\District 3\Projects\D346584\CADData\D346584-PLANS.dgn		DRAWN - RW	REVISED -
Default	PLOT SCALE = 100,0000' / in.	CHECKED - YP	REVISED -
	PLOT DATE = 4/28/2021	DATE - 3/5/2020	REVISED -

**STATE OF ILLINOIS
DEPARTMENT OF TRANSPORTATION**

**TYPICAL SECTIONS - LOCATION 2
F.A.P. 591 (US 34)**

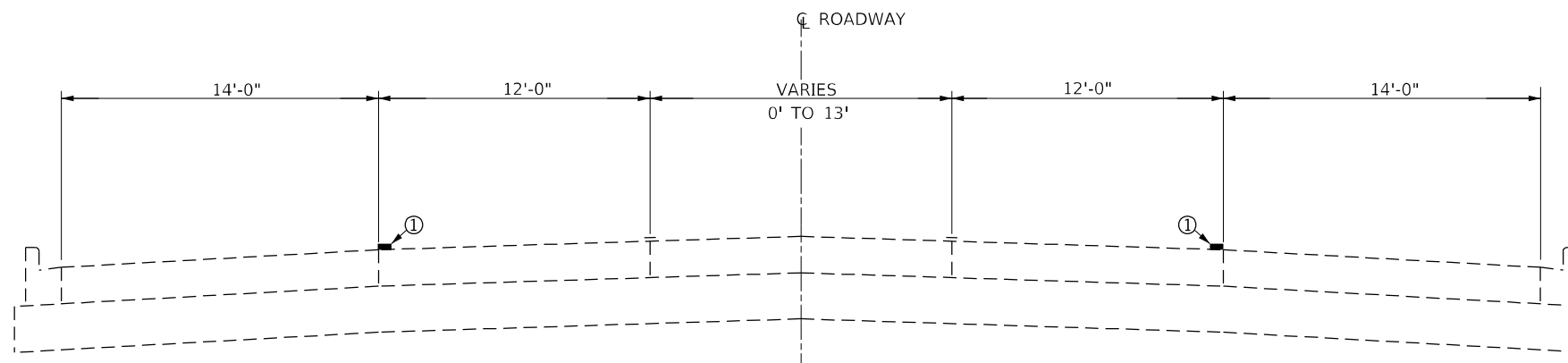
SCALE: SHEET 2 OF 2 SHEETS STA. TO STA.

F.A. RTE.	SECTION	COUNTY	TOTAL SHEETS	SHEET NO.
VARIOUS	D 3 GRVD INT PVMNT MRK 22-20	*	13	6
*GRUNDY & KENDALL		CONTRACT NO. 46584		
ILLINOIS		FED. AID PROJECT		



TYPICAL SECTION
IL 71 TO BOULDER HILL PASS

① PREFORMED PLASTIC PAVEMENT MARKING, TYPE D - LINE 9" (INSTALL ONLY)
 (6" WHITE STRIPE AND 1½" BLACK BORDER)



TYPICAL SECTION
BOULDER HILL PASS TO US 30

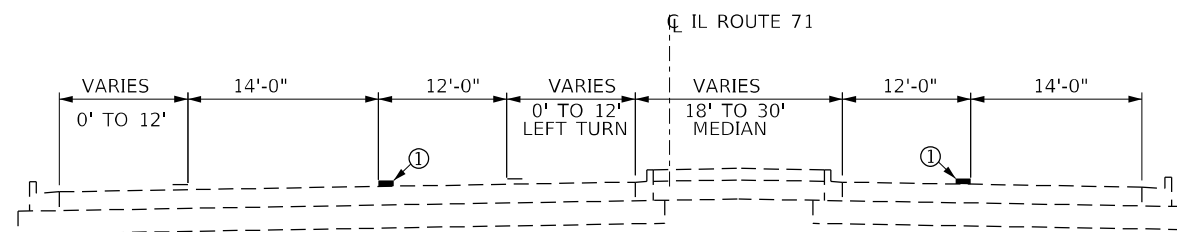
FILE NAME =	USER NAME = woodshank1	DESIGNED - RW	REVISED -
pw:\planroom\dot\illinois.gov\PWIDOT\Documents\IDOT	offices\District 3\Projects\I346584\CADData\I346584-PLANS.dgn	DRAWN - RW	REVISED -
Default	PLOT SCALE = 100,0000' / in.	CHECKED - YP	REVISED -
	PLOT DATE = 4/28/2021	DATE - 3/5/2020	REVISED -

STATE OF ILLINOIS
DEPARTMENT OF TRANSPORTATION

TYPICAL SECTIONS - LOCATION 3
F.A.P. 311 (US 34)

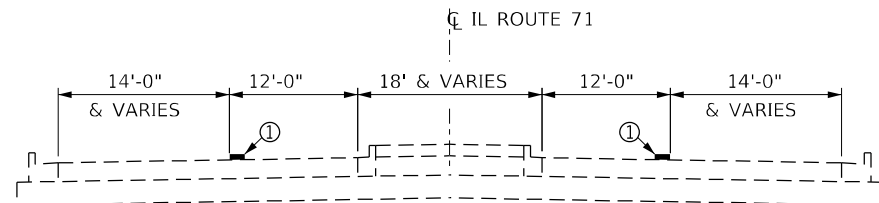
SCALE: SHEET 1 OF 2 SHEETS STA. TO STA.

F.A. RTE.	SECTION	COUNTY	TOTAL SHEETS	SHEET NO.
VARIOUS	D 3 GRVD INT PVMNT MRK 22-20	*	13	7
*GRUNDY & KENDALL		CONTRACT NO. 46584		
ILLINOIS		FED. AID PROJECT		



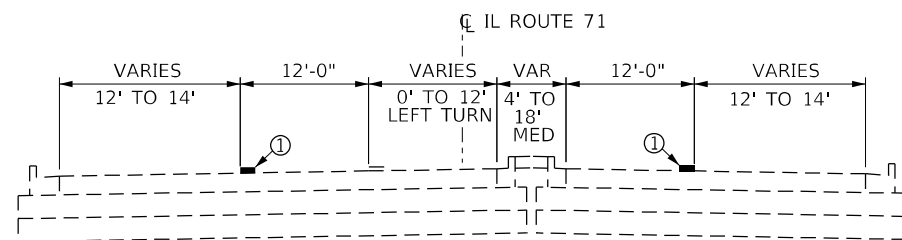
TYPICAL SECTION 1

STA 798+20.85 (ORCHARD) TO STA 805+25.34
LOOKING EAST



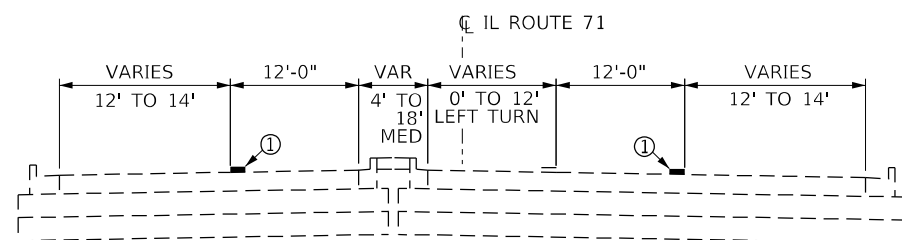
TYPICAL SECTION 2

STA 805+25.34 TO STA 813+00.00
STA 818+63.33 TO STA 833+36.00
STA 837+97.36 TO STA 842+95.63
STA 847+27.39 TO STA 849+06.50
STA 867+04.57 TO STA 873+04.93
LOOKING EAST



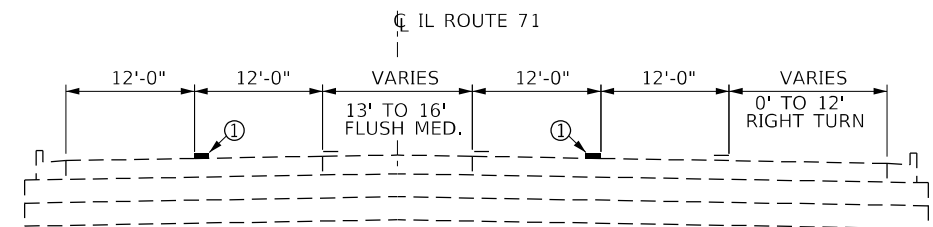
TYPICAL SECTION 3

STA 813+00.00 TO STA 818+63.33
STA 842+95.63 TO STA 847+27.39
STA 863+44.48 TO STA 867+04.57
LOOKING EAST



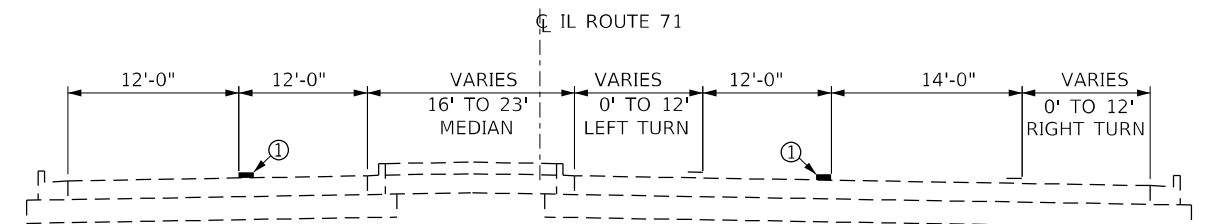
TYPICAL SECTION 4

STA 833+36.00 TO STA 837+97.36
STA 859+76.58 TO STA 863+44.48
LOOKING EAST



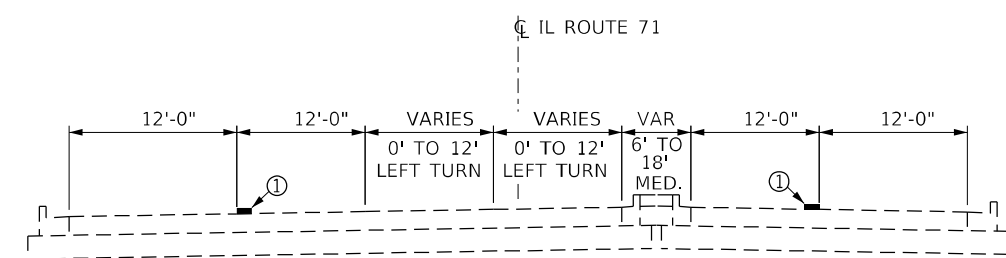
TYPICAL SECTION 5

STA 849+06.50 TO STA 859+76.58
STA 889+50.00 TO STA 922+59 (US 34)
LOOKING EAST



TYPICAL SECTION 6

STA 873+04.93 TO STA 880+24.08
LOOKING EAST



TYPICAL SECTION 7

STA 880+24.08 TO STA 889+50.00
LOOKING EAST

① PREFORMED PLASTIC PAVEMENT MARKING, TYPE D - LINE 9" (INSTALL ONLY)
(6" WHITE STRIPE AND 1½" BLACK BORDER)

FILE NAME =	USER NAME = woodshank1	DESIGNED - RW	REVISED -
pw:\planroom.dot\illinois.gov\PWIDOT\Documents\IDOT\offices\District 3\Projects\D346584\CADData\D346584-PLANS.dgn		DRAWN - RW	REVISED -
Default	PLOT SCALE = 100,0000' / in.	CHECKED - YP	REVISED -
	PLOT DATE = 4/28/2021	DATE - 3/5/2020	REVISED -

STATE OF ILLINOIS
DEPARTMENT OF TRANSPORTATION

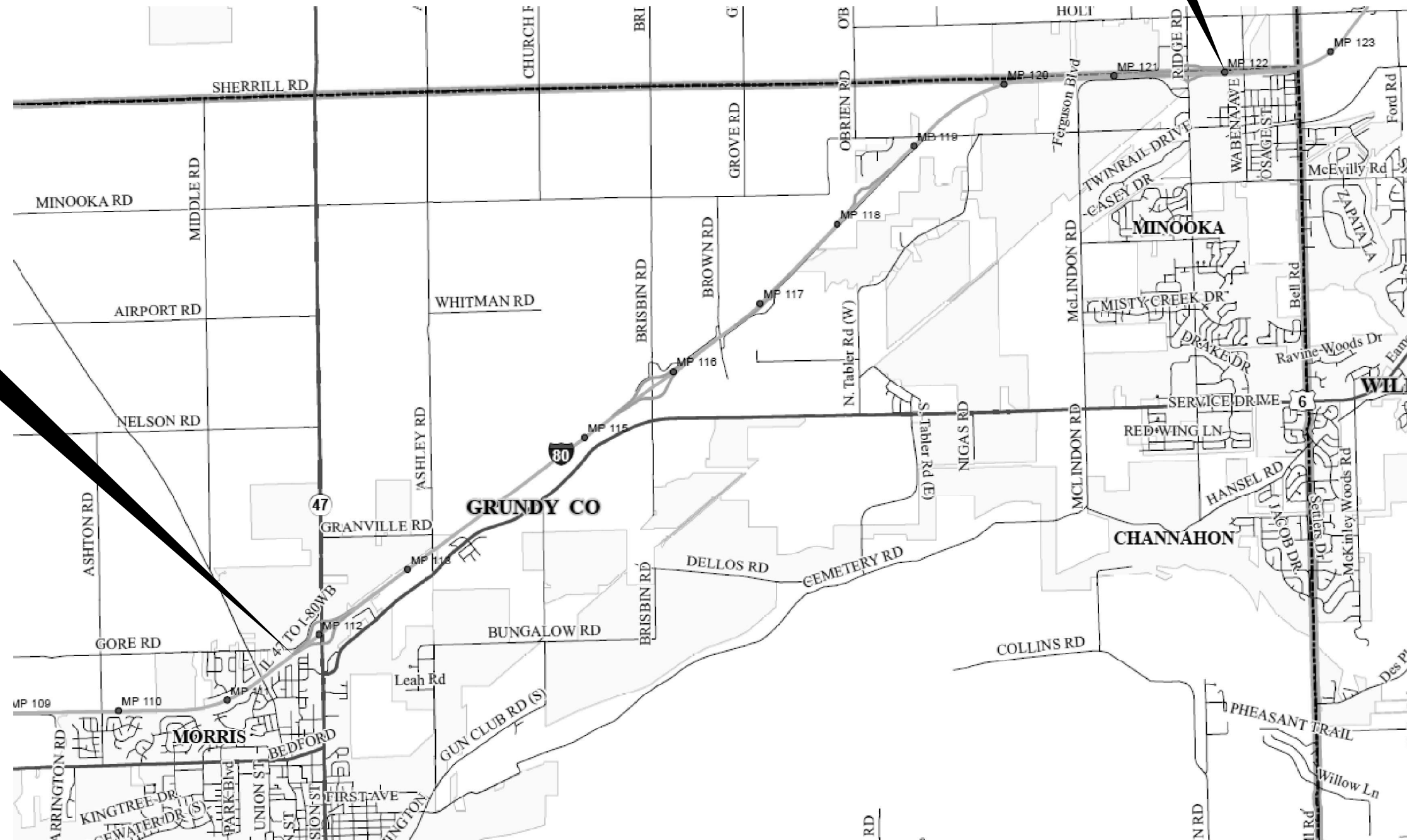
TYPICAL SECTIONS - LOCATION 4
F.A.P. 311 (IL 71)

SCALE: SHEET 1 OF 1 SHEETS STA. TO STA.

F.A. RTE.	SECTION	COUNTY	TOTAL SHEETS	SHEET NO.
VARIOUS	D 3 GRVD INT PVMNT MRK 22-20	*	13	8
*GRUNDY & KENDALL		CONTRACT NO. 46584		
ILLINOIS		FED. AID PROJECT		

F.A.I. 80 (I-80)
 LOCATION 1
 END IMPROVEMENT
 M.M. 122.0

F.A.I. 80 (I-80)
 LOCATION 1
 BEGIN IMPROVEMENT
 M.M. 111.7



FILE NAME =	USER NAME = woodshank1	DESIGNED - RW	REVISED -
pw:\planroom\dot\illinois.gov\PWIDOT\Documents\IDOT\Offices\District 3\Projects\I346584\CADData\I346584-PLANS.dgn		DRAWN - RW	REVISED -
Default	PLOT SCALE = 100,0000' / in.	CHECKED - YP	REVISED -
	PLOT DATE = 4/28/2021	DATE - 3/5/2020	REVISED -

STATE OF ILLINOIS
 DEPARTMENT OF TRANSPORTATION

F.A.I. ROUTE 80 (I-80)	
LOCATION MAP NO. 1 - GRUNDY COUNTY	
SCALE:	SHEET 1 OF 3 SHEETS STA. TO STA.

F.A. RTE.	SECTION	COUNTY	TOTAL SHEETS	SHEET NO.
VARIOUS	D 3 GRVD INT PVMNT MRK 22-20	*	13	9
*GRUNDY & KENDALL		CONTRACT NO. 46584		
ILLINOIS		FED. AID PROJECT		

F.A.P. 591 (US 34)

LOCATION 2

END IMPROVEMENT

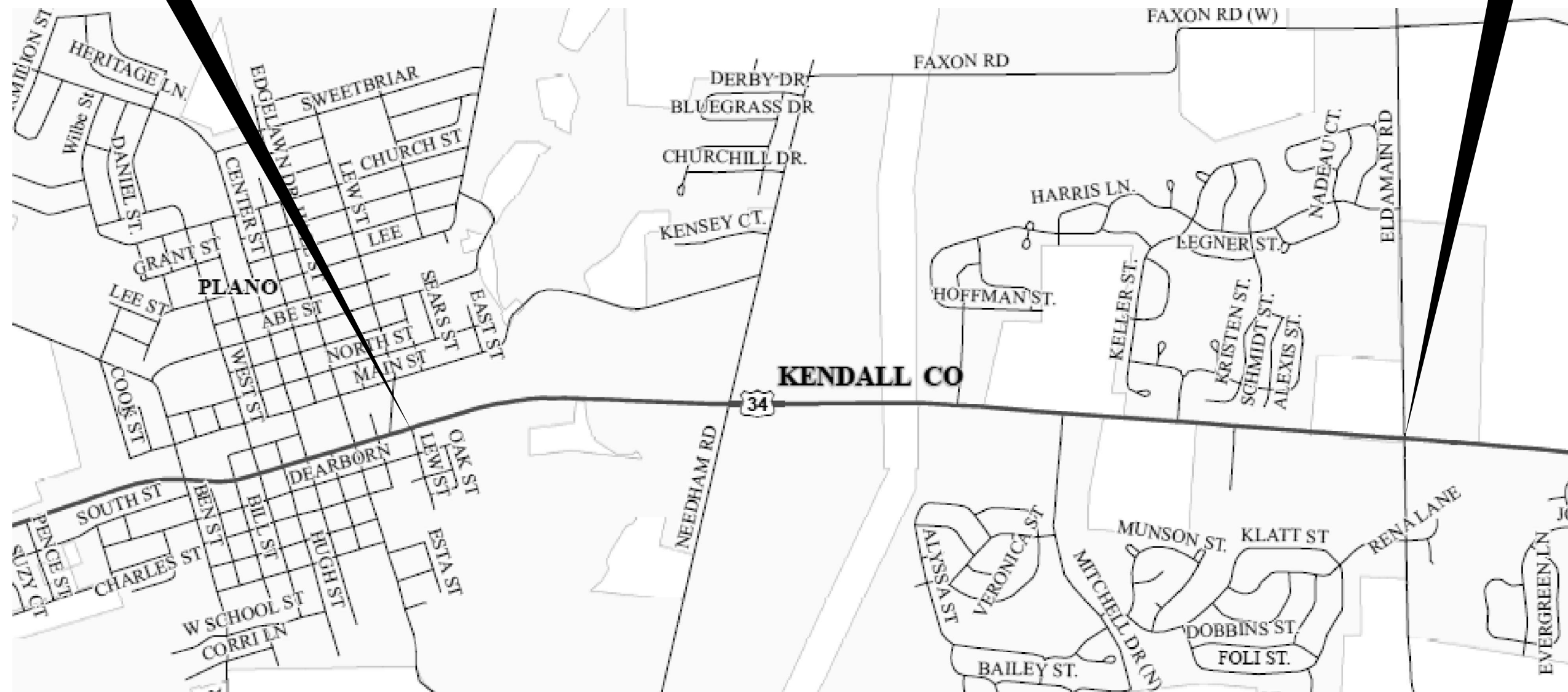
860 FEET EAST OF LEW ST. (SOUTH)

F.A.P. 591 (US 34)

LOCATION 2

END IMPROVEMENT

ELDAMAIN RD.



FILE NAME =	USER NAME = woodshank1	DESIGNED - RW	REVISED -
pw:\planroom.dot\illinois.gov\PWDOT\Documents\DOT	offices\District 3\Projects\D346584\CADData\D346584-PLANS.dgn	DRAWN - RW	REVISED -
Default	PLOT SCALE = 100,0000' / in.	CHECKED - YP	REVISED -
	PLOT DATE = 4/28/2021	DATE - 3/5/2020	REVISED -

**STATE OF ILLINOIS
DEPARTMENT OF TRANSPORTATION**

**F.A.P. ROUTE 591 (US 34)
LOCATION MAP NO. 2 - KENDALL COUNTY**

SCALE: SHEET 2 OF 3 SHEETS STA. TO STA.

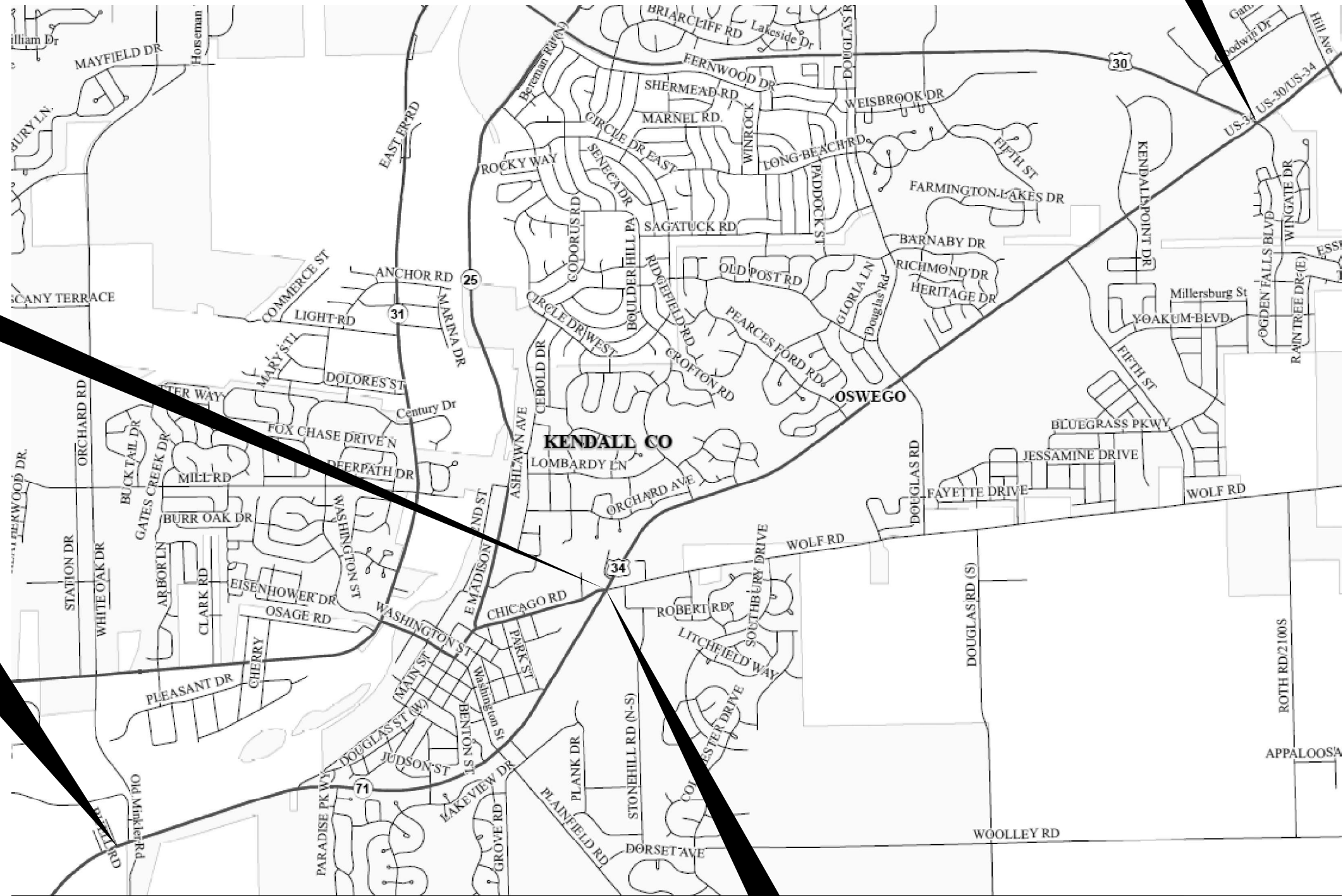
F.A. RTE.	SECTION	COUNTY	TOTAL SHEETS	SHEET NO.
VARIOUS	D 3 GRVD INT PVMNT MRK 22-20	*	13	10
*GRUNDY & KENDALL		CONTRACT NO. 46584		
ILLINOIS		FED. AID PROJECT		

US 34
LOCATION 3
END IMPROVEMENT
INTERSECTION OF US 34 & US 30

US 34
LOCATION 3
BEGIN IMPROVEMENT
INTERSECTION OF US 34 & IL 71

IL 71
LOCATION 4
BEGIN IMPROVEMENT
970 FEET WEST OF INTERSECTION
ORCHARD/MINKLER RD.

IL 71
LOCATION 4
END IMPROVEMENT
INTERSECTION OF IL 71 & US 34



FILE NAME =	USER NAME = woodshank1	DESIGNED - RW	REVISED -
pw:\planroom\dot\illinois.gov\PWDOT\Documents\IDOT	Offices\District 3\Projects\D346584\CADData\D346584-PLANS.dgn	DRAWN - RW	REVISED -
Default	PLOT SCALE = 100,0000 / 1in.	CHECKED - YP	REVISED -
	PLOT DATE = 4/28/2021	DATE - 3/5/2020	REVISED -

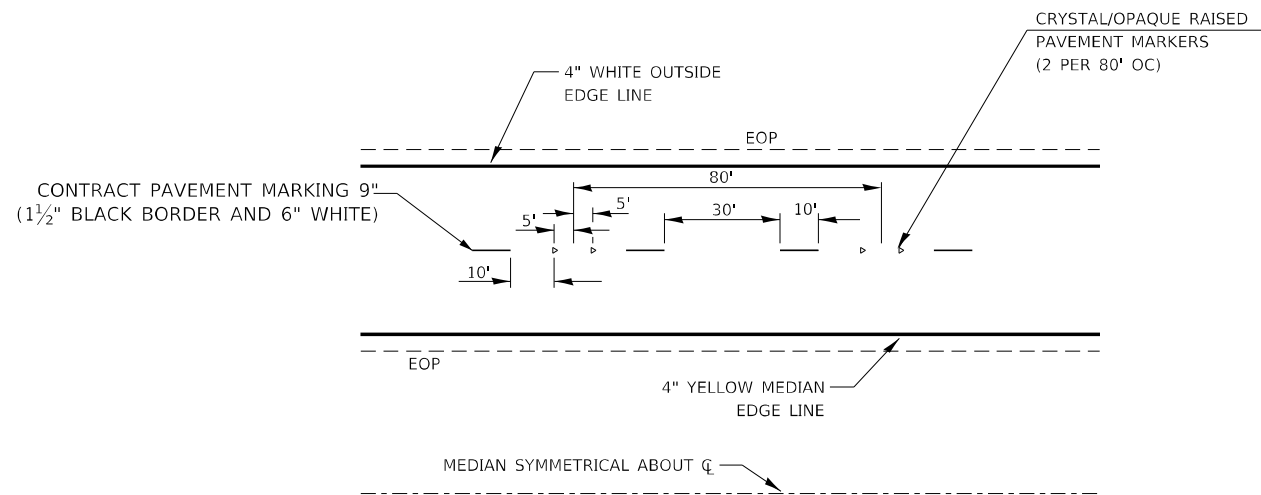
STATE OF ILLINOIS
DEPARTMENT OF TRANSPORTATION

F.A.P. ROUTE 311 (US 34, IL 71)
LOCATION MAP NO. 3 & 4 - KENDALL COUNTY
 SCALE: SHEET 3 OF 3 SHEETS STA. TO STA.

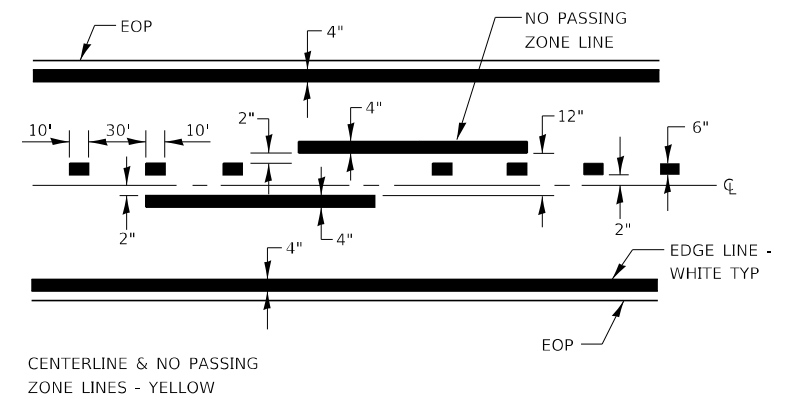
F.A. RTE.	SECTION	COUNTY	TOTAL SHEETS	SHEET NO.
VARIOUS	D 3 GRVD INT PVMNT MRK 22-20	*	13	11
*GRUNDY & KENDALL		CONTRACT NO. 46584		
ILLINOIS		FED. AID PROJECT		

PAVEMENT MARKING SCHEDULE

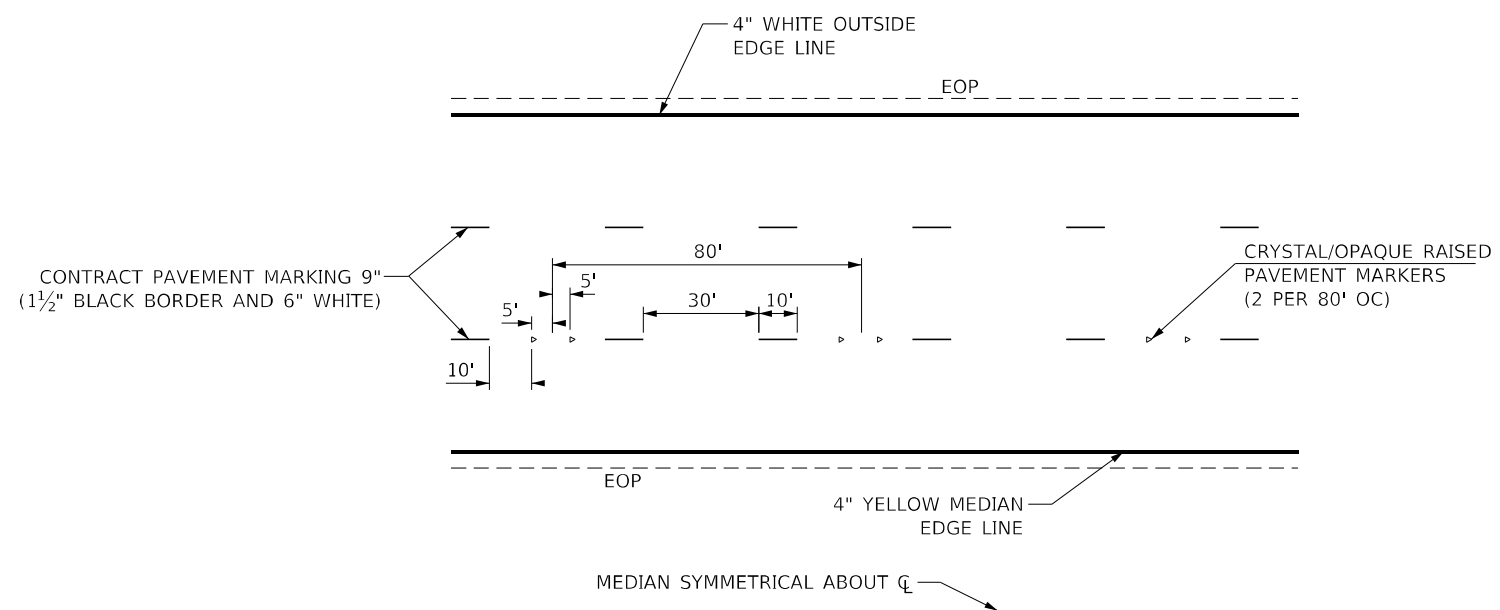
LOCATION	PAVEMENT MARKING REMOVAL - WATERBLASTING	GROOVING FOR RECESSED PAVEMENT MARKING 10"	PREFORMED PLASTIC PAVEMENT MARKING TYPE D LINE 9" (INSTALL ONLY)
	SQ FT	FOOT	FOOT
LOCATION 1 - FAI 80 (I-80)			
MP 111.7 TO MP122.5	14260	28520	28520
3RD LANE EB MORRIS ENT RAMP TO I-80	470	940	940
MULTI LANES WB MORRIS EXIT RAMP	195	390	390
3RD LANE EB BRISBIN ENT TO I-80	145	290	290
3RD LANE WB BRISBIN ENT TO I-80	190	380	380
3RD LANE EB MINOOKA ENT TO I-80	285	570	570
3RD LANE WB MINOOKA ENT TO I-80	290	580	580
I-80 SUBTOTAL	15835	31670	31670
LOCATION 2 - FAP 591 (US 34)			
860 FEET EAST OF JCT. US 34 AND SO. LEW ST TO ELDAMAIN RD (PLANO)	2772	5544	5544
US 34 SUBTOTAL	2772	5544	5544
LOCATION 3 - FAP 311 (US 34)			
IL 71 TO US 30 NORTH (OSWEGO)	4385	8770	8770
US 34 SUBTOTAL	4385	8770	8770
LOCATION 3 - FAP 311 (IL 71)			
970 FEET WEST OF JCT. IL 71 AND ORCHARD RD TO US 34 (OSWEGO)	3325	6650	6650
IL 71 SUBTOTAL	3325	6650	6650
TOTALS	26317	52634	52634



TYPICAL PAVEMENT MARKINGS - INTERSTATE
TWO LANES



PAVEMENT MARKING - 2W, 2L



TYPICAL PAVEMENT MARKINGS - INTERSTATE
THREE LANES

FILE NAME =	USER NAME = woodshank1	DESIGNED - RW	REVISED -	STATE OF ILLINOIS DEPARTMENT OF TRANSPORTATION	TYPICAL PAVEMENT MARKINGS			F.A. RTE.	SECTION	COUNTY	TOTAL SHEETS	SHEET NO.
pw:\planroom\dot\illinois.gov\PWIDOT\Documents\IDOT	offices\District 3\Projects\D346584\CADData\D346584-PLANS.dgn	DRAWN - RW	REVISED -					VARIOUS	D 3 GRVD INT PVMNT MRK 22-20	*	13	13
Default	PLOT SCALE = 100,0000' / in.	CHECKED - YP	REVISED -		SCALE: SHEET 1 OF 1 SHEETS STA. TO STA.			*GRUNDY & KENDALL		CONTRACT NO. 46584		
	PLOT DATE = 4/28/2021	DATE - 3/5/2020	REVISED -		ILLINOIS		FED. AID PROJECT					