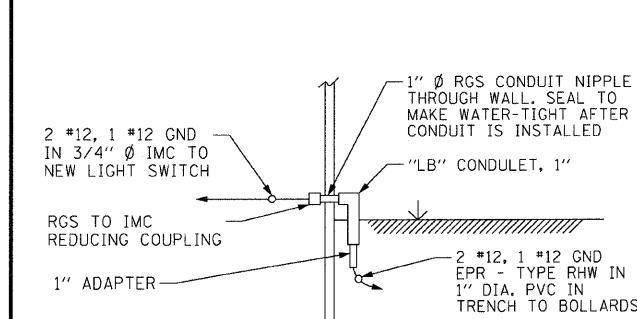
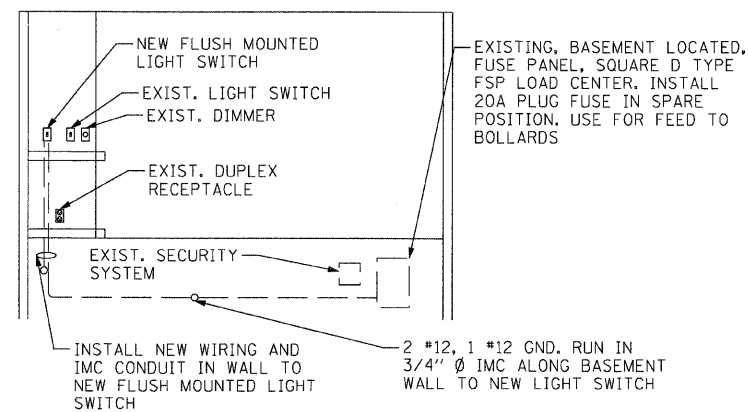


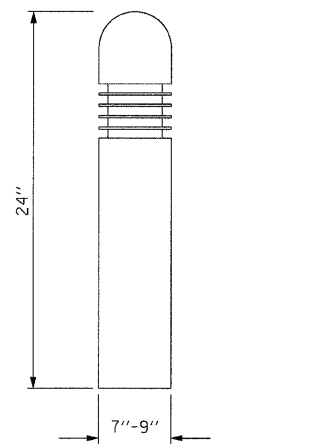
VISITOR'S CENTER DETAIL
1" = 10'



CRAWL SPACE ELEV. SECTION "A-A"



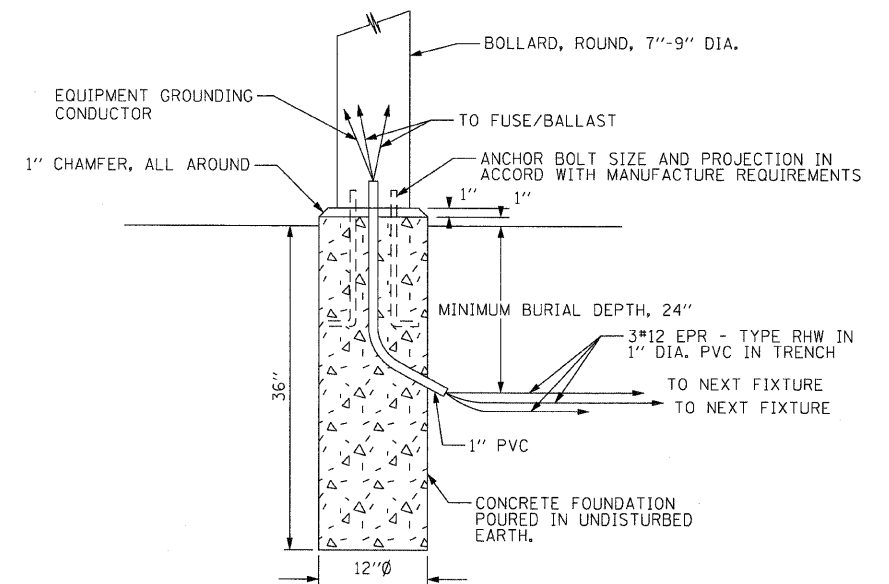
ELEV. VIEW SOUTH WALL OF MAIN ENTRY



BOLLARD DETAIL
NOT TO SCALE

ELECTRICAL NOTES:

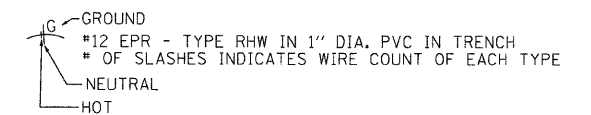
1. ALL ELECTRICAL WORK TO COMPLY WITH THE NEC 2008.
2. BOLLARDS TO OPERATE @ 120VAC, 1Ø, 3W.
3. BOLLARDS TO USE 50W HPS LAMPS PROVIDED WITH FIXTURE BY CONTRACTOR.
4. CONTRACTOR SHALL FIELD VERIFY EXISTING CONDITIONS.



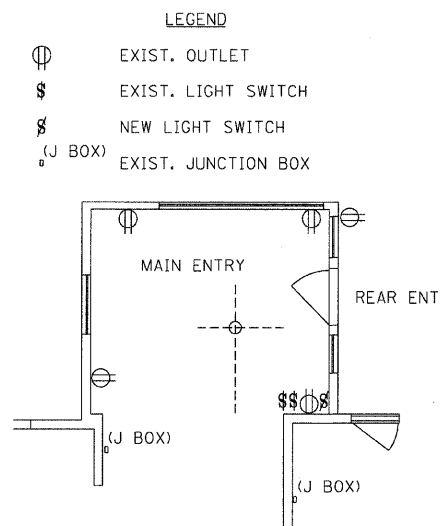
LIGHTING BOLLARD INSTALLATION - TYPICAL
NOT TO SCALE

LEGEND

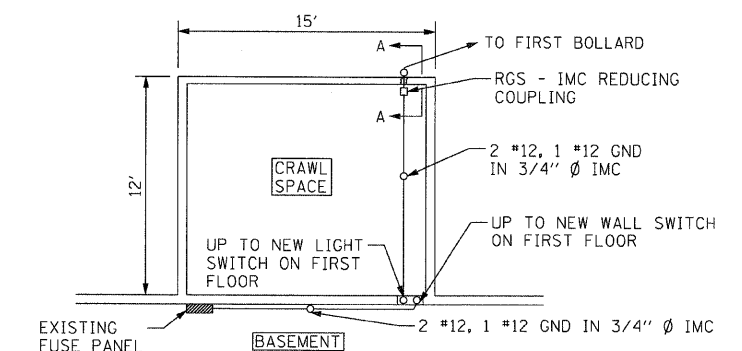
- BOLLARD WITH 50W HPS LUMINAIRE



NOTE: PROVIDE 180° HOUSE SIDE SHIELD FOR ALL BOLLARDS. WHERE MANUFACTURER SHIELDS ARE UNAVAILABLE PROVIDE PAINTED BLACK LAMP CLASS COVER WITH HEAT RESISTANT PAINT.



PLAN VIEW MAIN ENTRY



PLAN VIEW CRAWL SPACE/ BASEMENT

FILE NAME =	USER NAME = #USER#	DESIGNED - R.H.D	REVISED -	STATE OF ILLINOIS DEPARTMENT OF TRANSPORTATION	LIGHT DETAILS DAVID DAVIS STATE HISTORIC SITE			F.A. RTE.	SECTION	COUNTY	TOTAL SHEETS	SHEET NO.
#FILE#		DRAWN - J.H.F.	REVISED -		SCALE: 1" = 20'	SHEET NO. 7 OF 7 SHEETS	STA.	TO STA.	ILLINOIS	FED. AID PROJECT	7	7
		CHECKED - T.T.P.	REVISED -									
		DATE - 2/2/09	REVISED -									