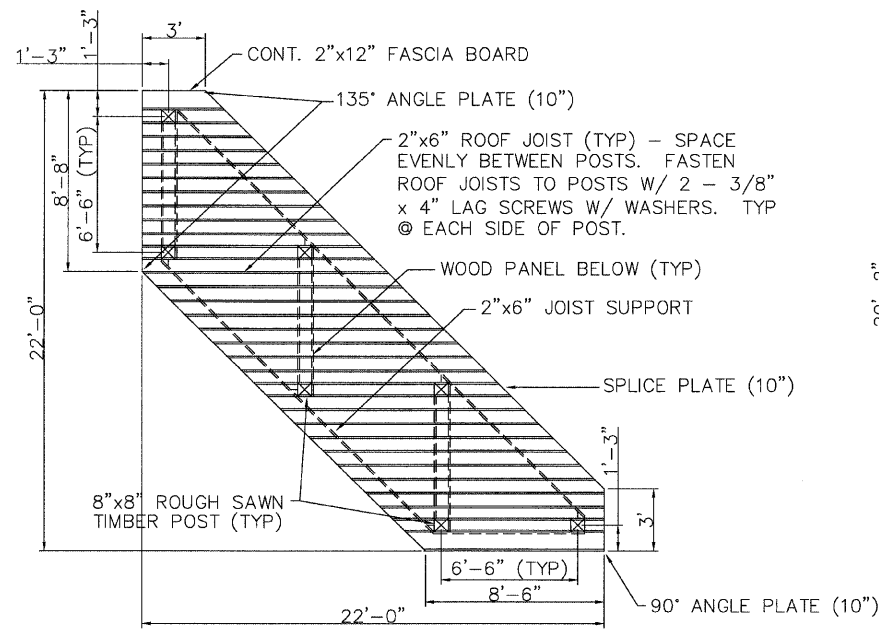
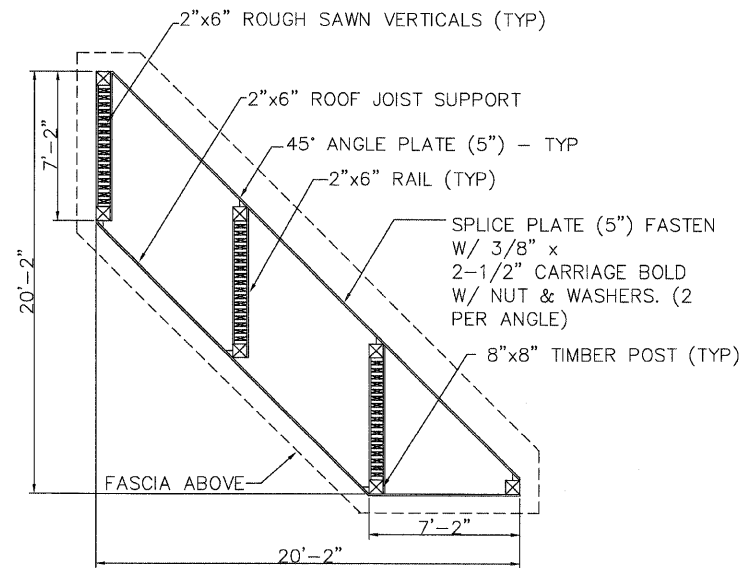


**\*\* KIOSK GENERAL NOTES:**

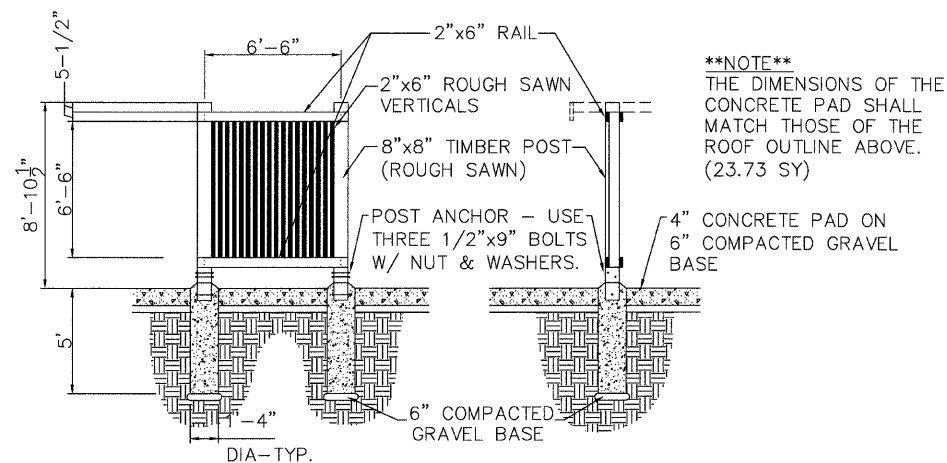
- \*\* 1. EXHIBIT PANELS SHALL BE PROVIDED BY THE USFWS TO THE CONTRACTOR FOR INSTALLATION ON THE KIOSK. THE CONTRACTOR SHALL PROVIDE ALL MOUNTING ACCESSORIES.
- \*\* 2. MATERIALS FOR THE CONSTRUCTION OF THE KIOSK SHALL BE PROVIDED BY THE CONTRACTOR. THE CONTRACTOR SHALL CONSTRUCT, ASSEMBLE, AND INSTALL THE KIOSK PER THE PLAN DETAILS.
- \*\* 3. THE USFWS SHALL PROVIDE THE STAIN FOR THE FINISH OF THE LUMBER. THE CONTRACTOR SHALL STAIN THE WOOD PRIOR TO THE ASSEMBLY OF THE KIOSK.
- \*\* 4. FOOTINGS AND CONCRETE PAD SHALL BE CLASS II (4,000 PSI) CONCRETE.



**ROOF FRAMING PLAN**  
1/4" = 1'-0"



**PANEL LAYOUT PLAN**  
1/4" = 1'-0"



**PANEL ELEVATION & SECTION**  
1/4" = 1'-0"

**\*\*NOTE\*\***  
THE DIMENSIONS OF THE CONCRETE PAD SHALL MATCH THOSE OF THE ROOF OUTLINE ABOVE. (23.73 SY)

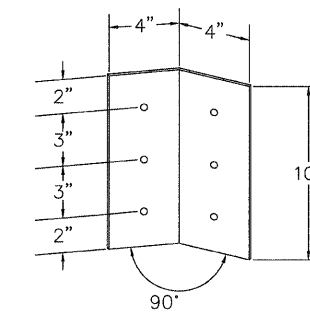
**MATERIALS LIST**

| QTY  | ITEM/UNIT                                   |
|------|---|
| 7    | 8"x8"x8'-10 1/2" ROUGH SAWN TIMBER POSTS    |
| 51   | 2"x6"x8'-0" ROUGH SAWN PANEL VERTICALS      |
| 21   | 2"x6"x12'-0" ROOF JOISTS                    |
| 5    | 2"x6"x8'-0" ROOF JOISTS                     |
| 12   | 2"x6"x8'-0" PANEL RAILS                     |
| 1    | 2"x6"x8'-0" ROOF JOIST SUPPORT              |
| 2    | 2"x6"x16'-0" ROOF JOIST SUPPORT             |
| 1    | 2"x6"x20'-0" ROOF JOIST SUPPORT             |
| 1    | 2"x12"x8'-0" ROOF FASCIA                    |
| 2    | 2"x12"x10'-0" ROOF FASCIA                   |
| 2    | 2"x12"x14'-0" ROOF FASCIA                   |
| 1    | 2"x12"x20'-0" ROOF FASCIA                   |
| 2    | 90° ANGLE PLATES - 10"                      |
| 4    | 135° ANGLE PLATES - 10"                     |
| 7    | 45° ANGLE PLATES - 5"                       |
| 1    | SPLICE PLATE - 5"                           |
| 1    | SPLICE PLATE - 10"                          |
| 7    | POST ANCHORS                                |
| 7    | 16" DIA. CONC. FOOTINGS & GRAVEL BASES      |
| 60   | 3/8"x2 1/2" CARRIAGE BOLTS, NUTS, & WASHERS |
| 70   | 3/8"x4" LAG SCREW WITH WASHERS              |
| 21   | 1/2"x9" BOLTS, NUTS, & WASHERS              |
| 2.64 | CONCRETE PAD (CY)                           |

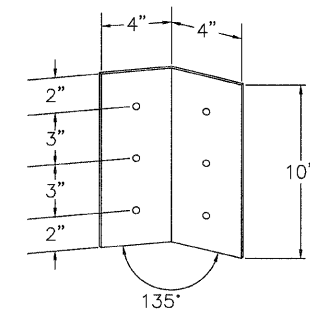
**NOTES:**  
THIS MATERIALS LIST IS PROVIDED FOR GENERAL INFORMATION AND IS NOT INTENDED TO BE A COMPLETE LIST OF MATERIALS.

LIST DOES NOT INCLUDE SIGNS AND DISPLAYS.

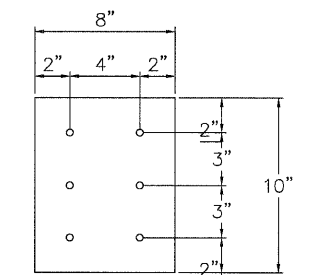
ROUGH SAWN WOOD POST SHALL BE #2 GRADE WOLMANIZED PINE OR BETTER. ALL OTHER LUMBER SHALL BE #1 GRADE WOLMANIZED PINE.



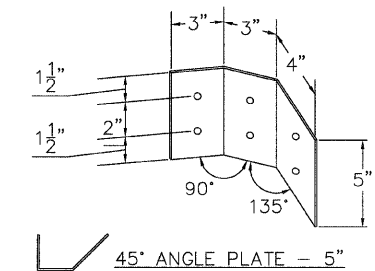
**90° ANGLE PLATE - 10"**



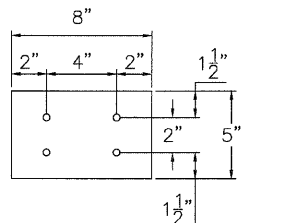
**135° ANGLE PLATE - 10"**



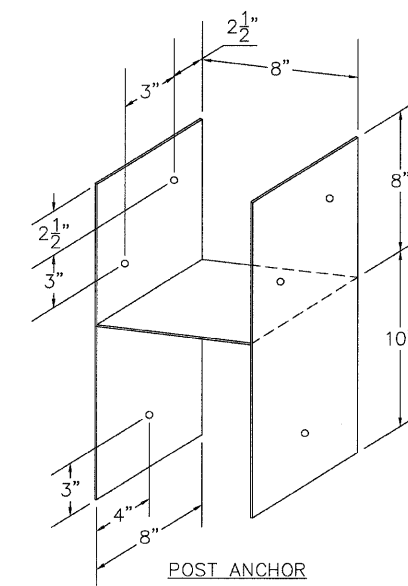
**SPLICE PLATE - 10"**



**45° ANGLE PLATE - 5"**



**SPLICE PLATE - 5"**



**POST ANCHOR**

1 KIOSK WITH INFORMATION AND MAP PANELS  
INGERSOLL WETLANDS

2 ANGLE PLATES & POST ANCHOR  
NOT TO SCALE

KIOSK DETAIL