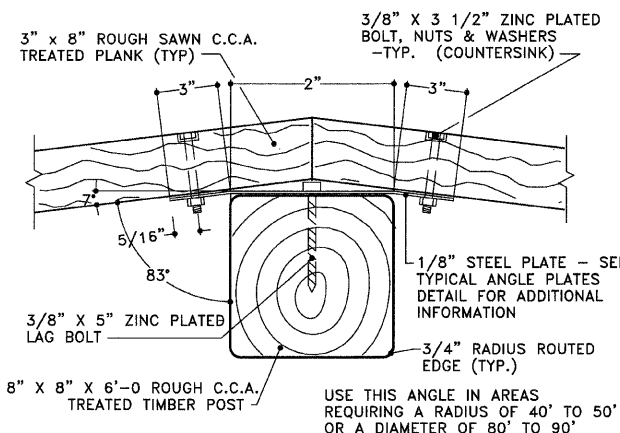
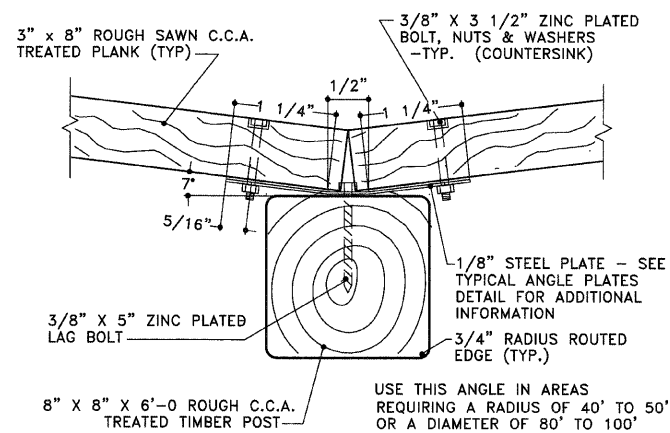


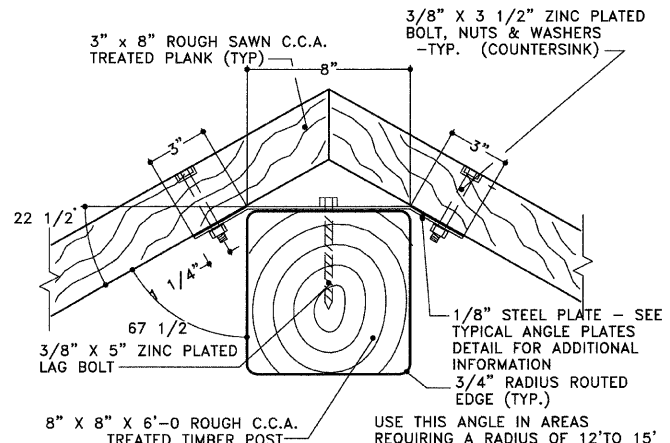
F.A.U. ROUTE NO.	SECTION	COUNTY	TOTAL SHEETS	SHEET NO.
		CARROLL	58	29
JOB # C-30-043-09 ILLINOIS FED. AID PROJECT 0005800				



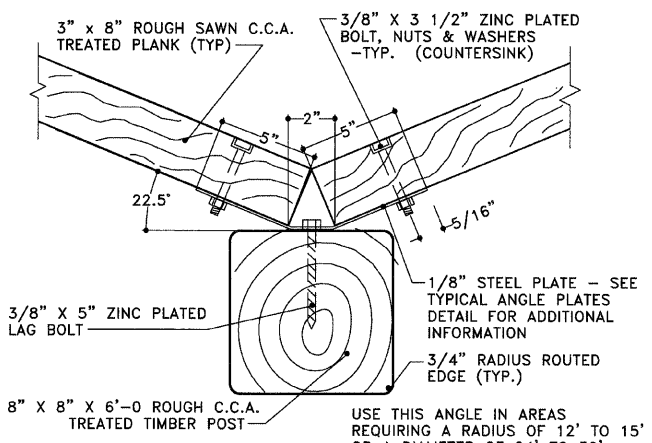
1 7 DEGREE OUTSIDE RADIUS
14 NOT TO SCALE



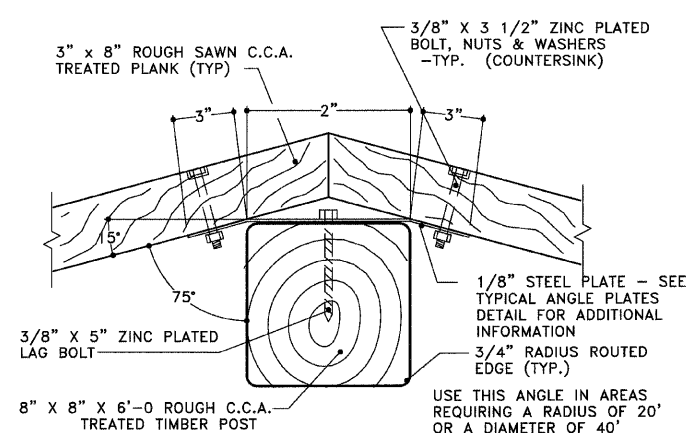
4 7 DEGREE INSIDE RADIUS
14 NOT TO SCALE



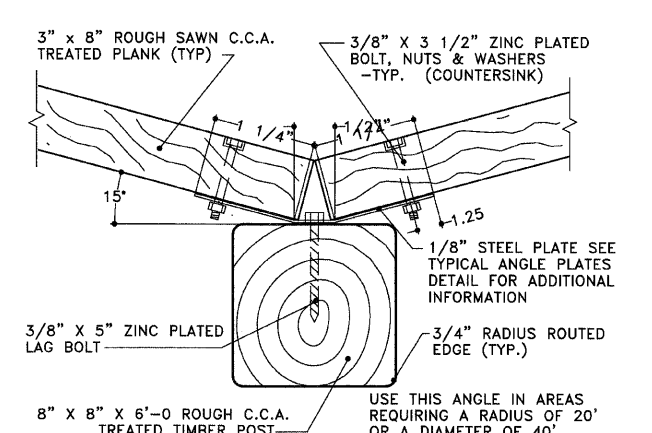
2 22.5 DEGREE OUTSIDE RADIUS
14 NOT TO SCALE



5 22.5 DEGREE INSIDE RADIUS
14 NOT TO SCALE



3 15 DEGREE OUTSIDE RADIUS
14 NOT TO SCALE

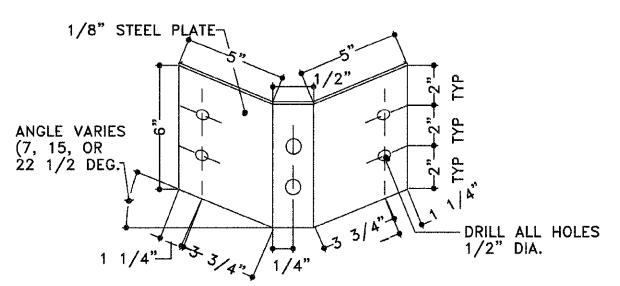


6 15 DEGREE INSIDE RADIUS
14 NOT TO SCALE

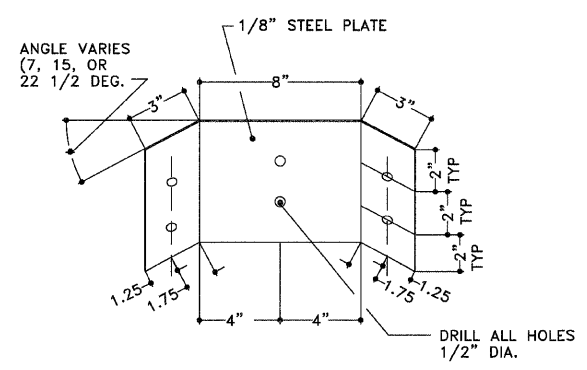
STEEL ANGLE
1) ALL ANGLES SHALL BE FORMED STRAIGHT AND EVEN
2) PRIME WITH ZINC CHROMATE PRIMER
3) PAINT WITH BLACK ENAMEL

TIMBERS AND PLANKS
1) ALL TIMBERS AND PLANKS SHALL BE ROUGH SAWN & C.C.A. TREATED
2) STAIN 'BLACK COFFEE'
3) MAXIMUM 9' POST SPACING, CENTER TO CENTER.

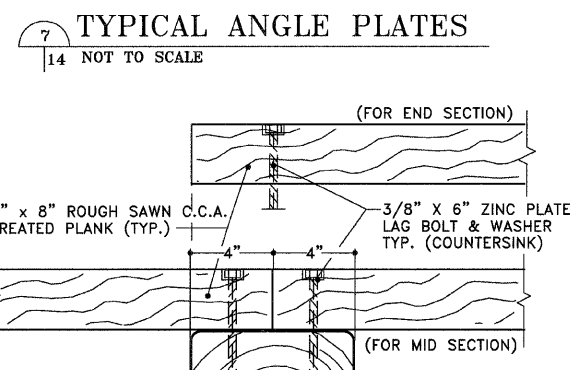
GENERAL NOTES



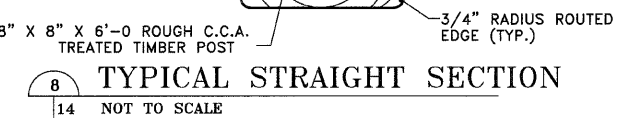
7 INSIDE ANGLE PLATES



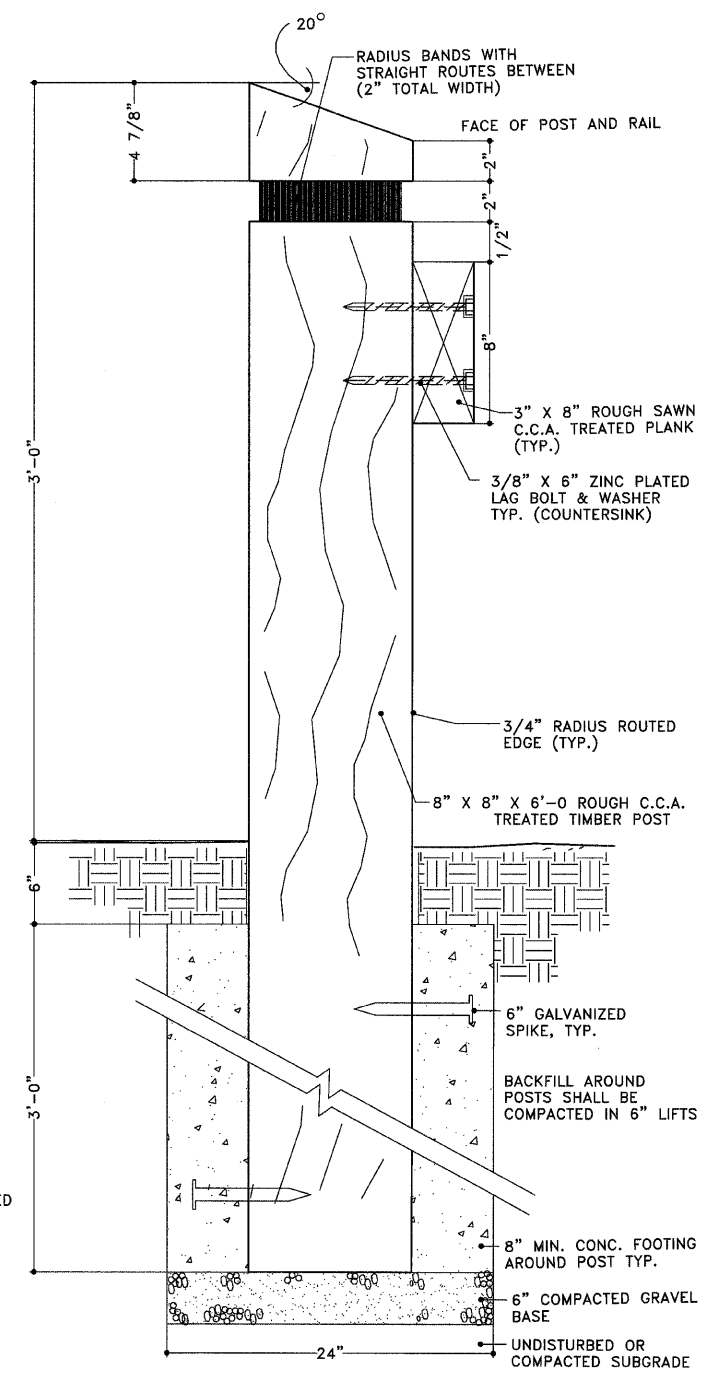
7 OUTSIDE ANGLE PLATES



7 TYPICAL ANGLE PLATES
14 NOT TO SCALE



8 TYPICAL STRAIGHT SECTION
14 NOT TO SCALE



9 TYPICAL POST / RAIL ELEVATION
14 NOT TO SCALE