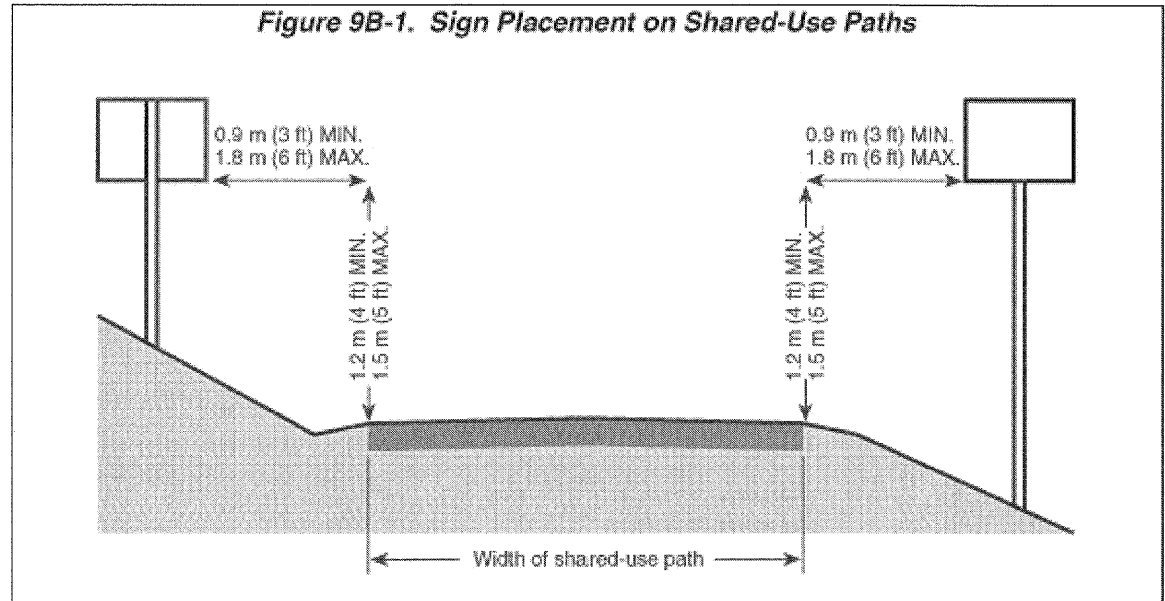


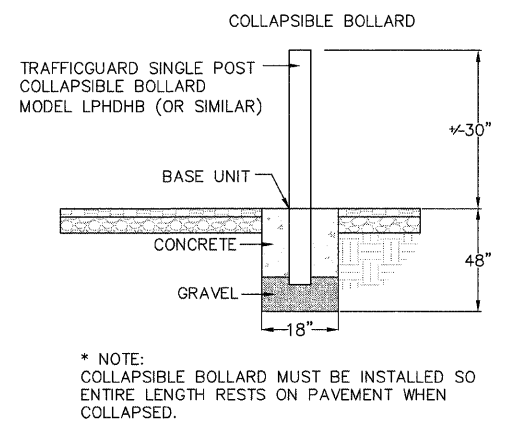
F.A.U. ROUTE NO.	SECTION	COUNTY	TOTAL SHEETS	SHEET NO.
		CARROLL	58	30
JOB # C-30-043-09		ILLINOIS	FED. AID PROJECT	0005800

MANUAL ON UNIFORM TRAFFIC CONTROL DEVICES
PART 9: BICYCLE FACILITIES

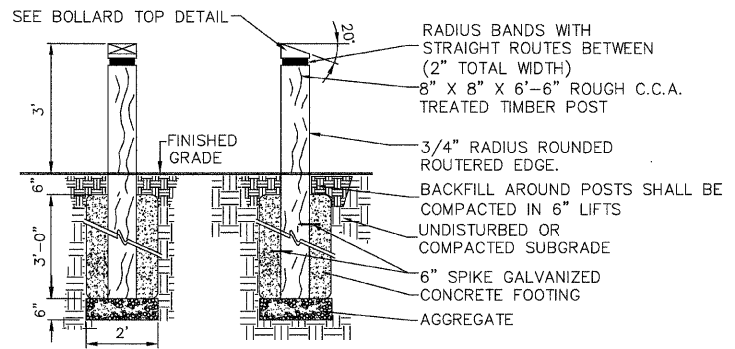
Figure 9B-1. Sign Placement on Shared-Use Paths



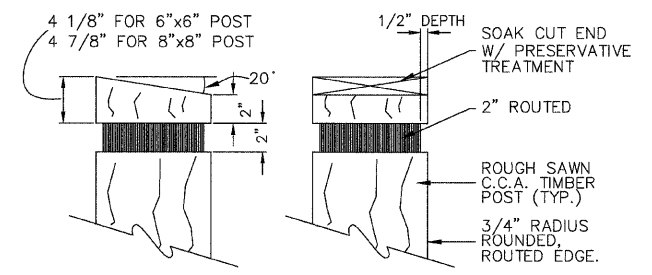
- SECTION 9B.01 APPLICATION AND PLACEMENT OF SIGNS**
- BICYCLE SIGNS SHALL BE STANDARD IN SHAPE, LEGEND, AND COLOR.
 - ALL SIGNS SHALL BE RETROREFLECTORIZED FOR USE ON BIKEWAYS, INCLUDING SHARED-USE PATHS AND BICYCLE LANE FACILITIES.
 - WHERE SIGNS SERVE BOTH BICYCLISTS AND OTHER ROAD USERS, VERTICAL MOUNTING HEIGHT AND LATERAL PLACEMENT SHALL BE AS SPECIFIED IN PART 2 OF THE MUTCD.
 - SIGNS FOR THE EXCLUSIVE USE OF BICYCLISTS SHOULD BE LOCATED SO THAT DRIVERS ARE NOT CONFUSED BY THEM.



COLLAPSIBLE BOLLARD DETAIL

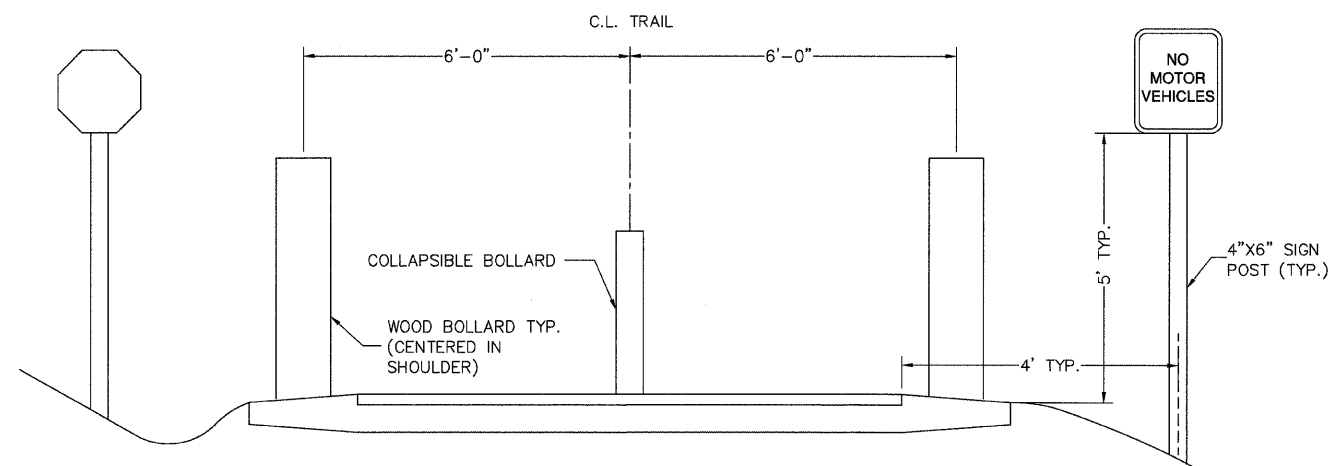
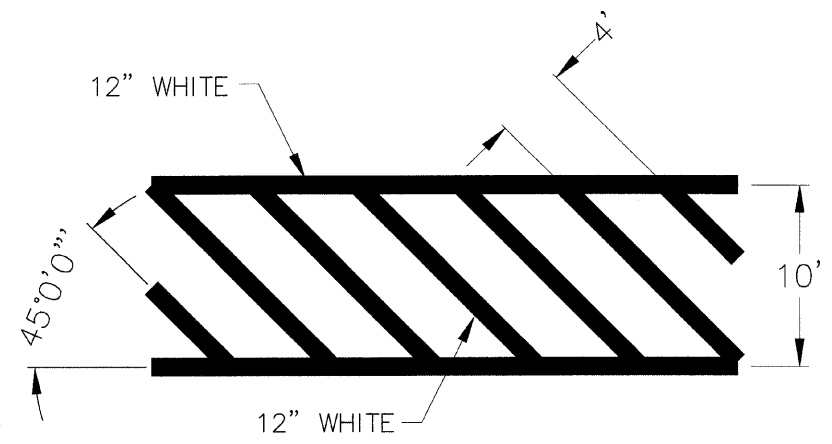


WOOD BOLLARD DETAIL



BOLLARD TOP DETAIL

RIVERVIEW ROAD CROSSING - STRIPING DETAIL



SIGN & BOLLARD PLACEMENT
(NOT TO SCALE)