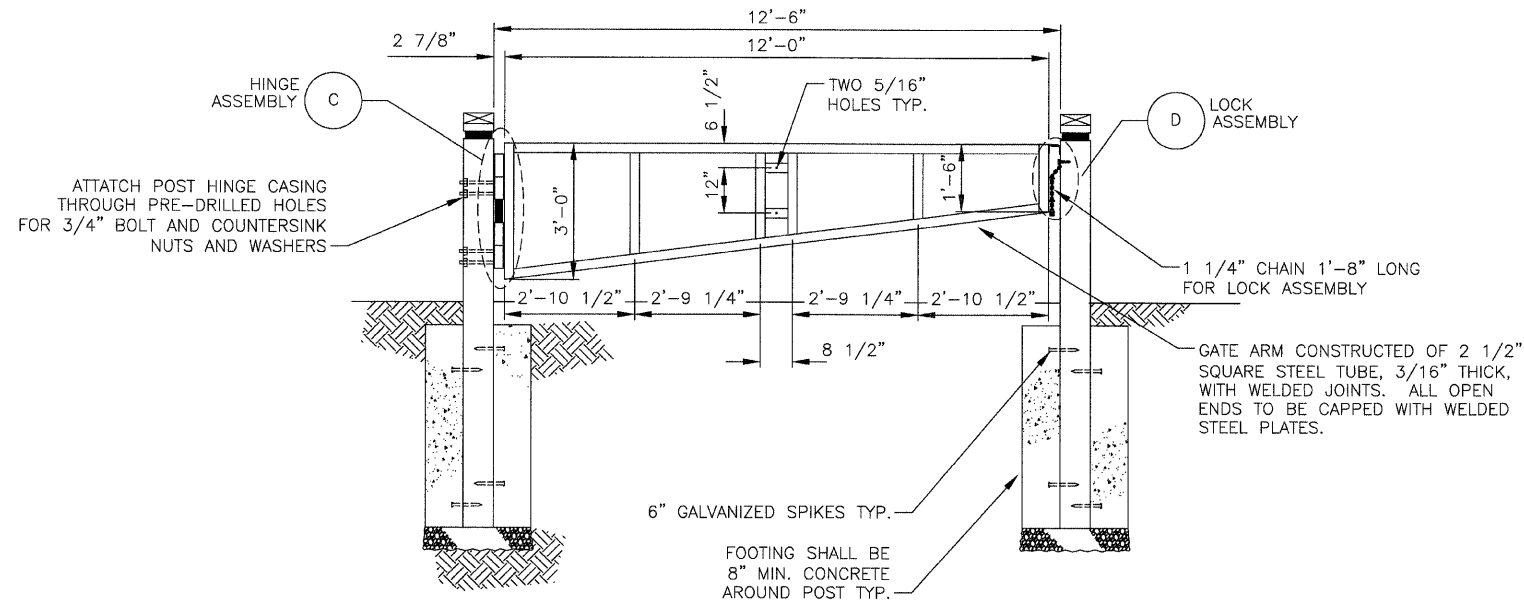
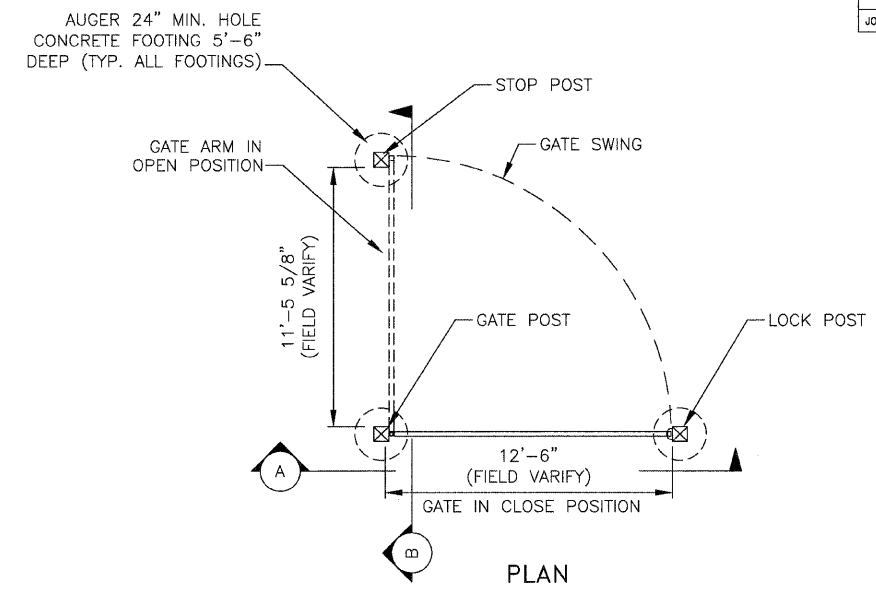


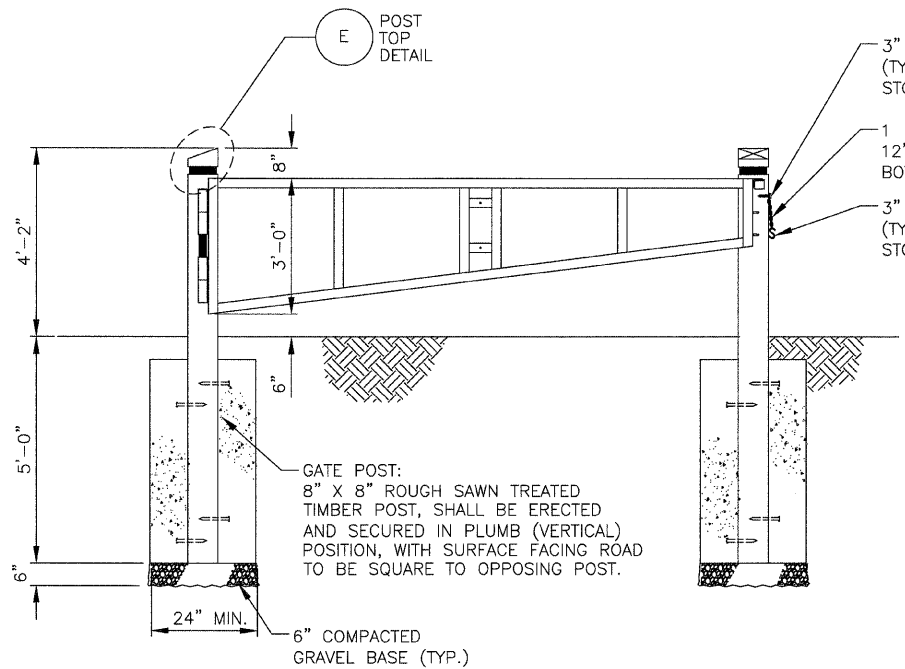
F.A.U. ROUTE NO.	SECTION	COUNTY	TOTAL SHEETS	SHEET NO.
		CARROLL	58	31
JOB # C-30-043-09		ILLINOIS	FED. AID PROJECT	0005800



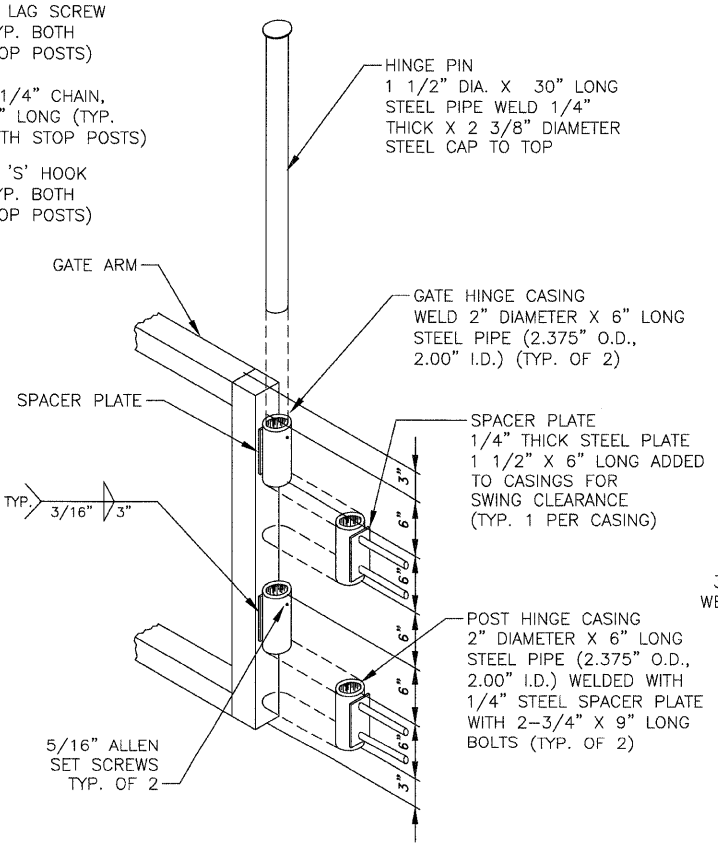
**A SECTION (CLOSED ELEVATION)**  
NO SCALE



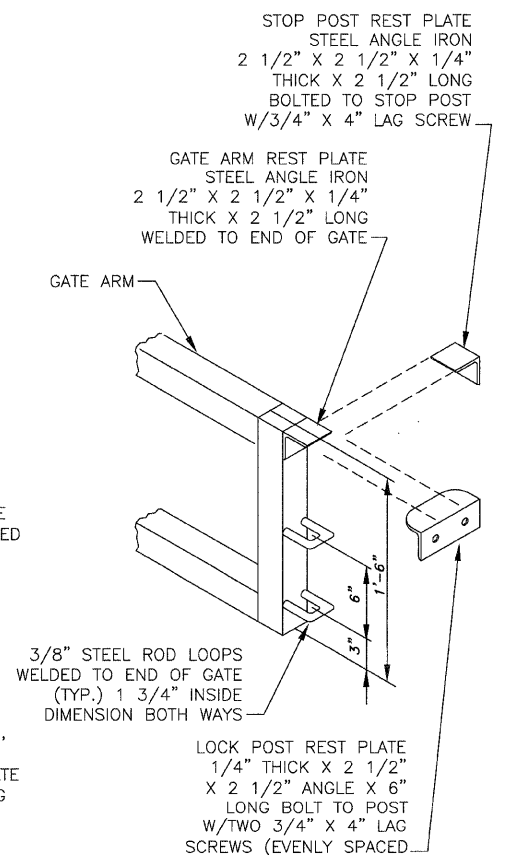
**PLAN**  
NO SCALE



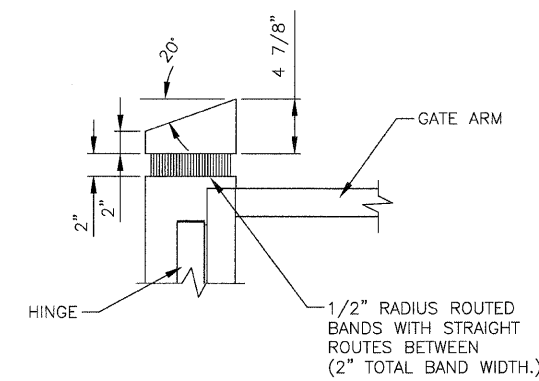
**B SECTION (OPEN ELEVATION)**  
NO SCALE



**C HINGE ASSEMBLY**  
NO SCALE



**D LOCK ASSEMBLY**  
NO SCALE



**E POST TOP DETAIL**  
NO SCALE

**GENERAL NOTES:**

1. STEEL CONSTRUCTION:  
ALL WELDS SHALL BE GROUND SMOOTH AND EVEN  
ALL STEEL SHALL BE HOT DIPPED GALVANIZED.
2. TIMBER POST:  
POSTS SHALL BE STAINED  
POSTS SHALL BE 8" X 8" ROUGH SAWN TREATED TIMBER.