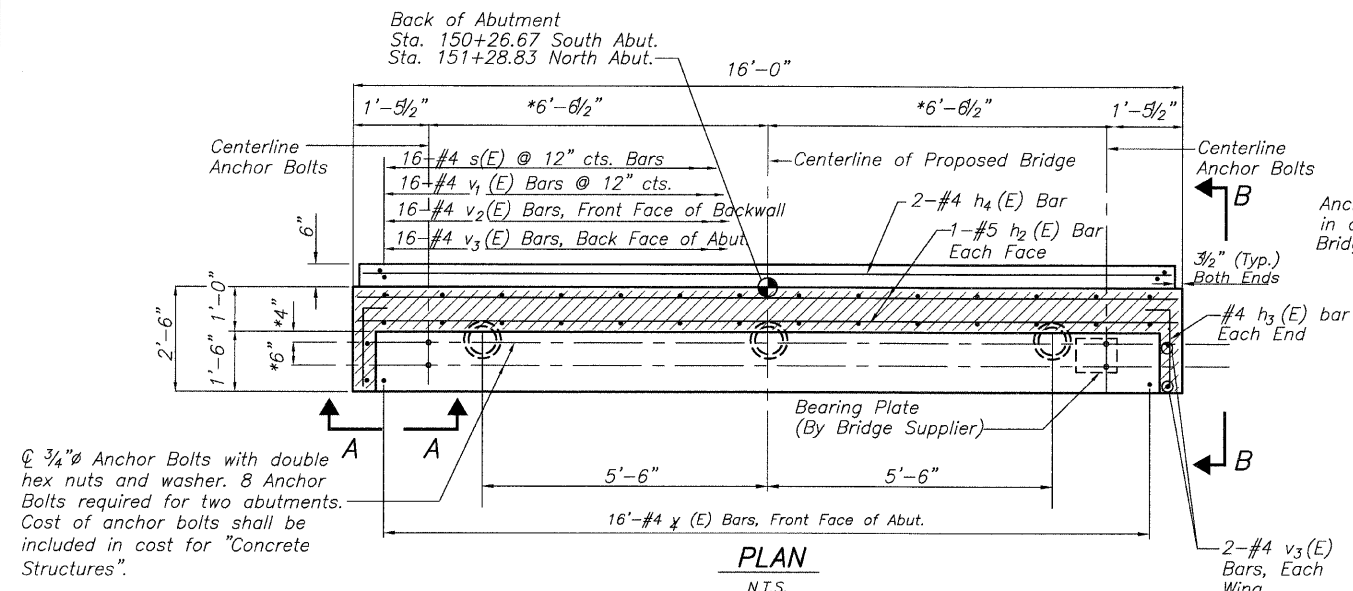
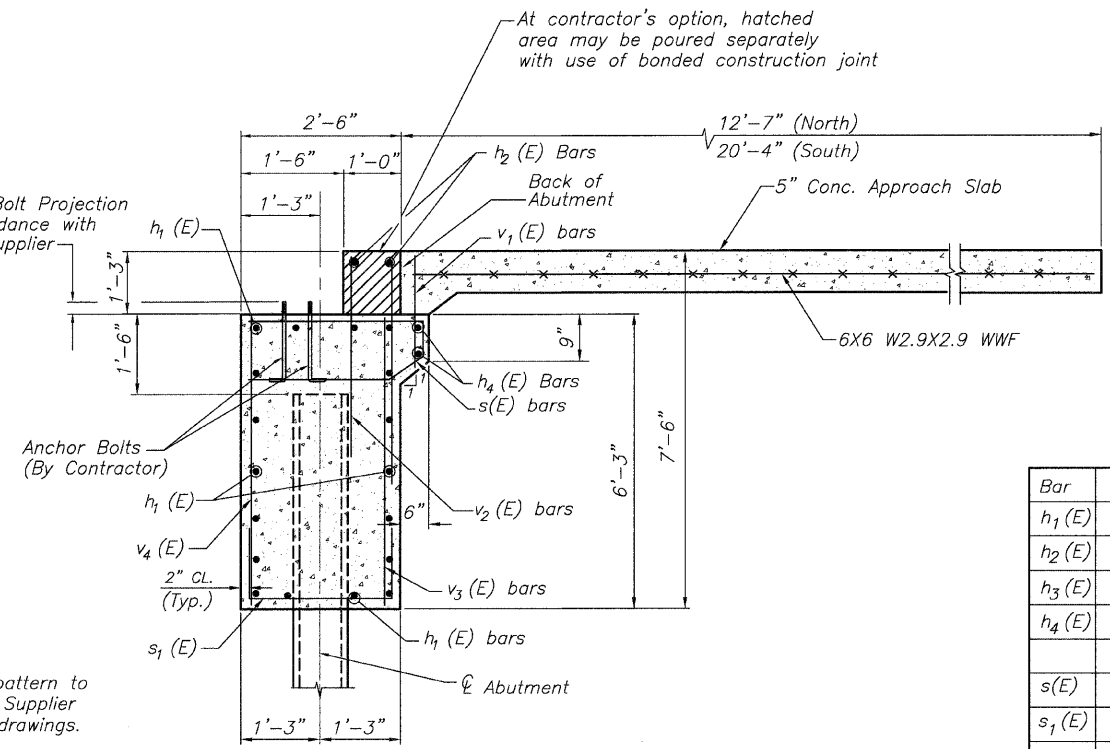


F.A.U. ROUTE NO.	SECTION	COUNTY	TOTAL SHEETS	SHEET NO.
		Carroll	58	34
JOB # C-30-043-09		ILLINOIS	FED. AID PROJECT 0005800	



3/4" Anchor Bolts with double hex nuts and washer. 8 Anchor Bolts required for two abutments. Cost of anchor bolts shall be included in cost for "Concrete Structures".

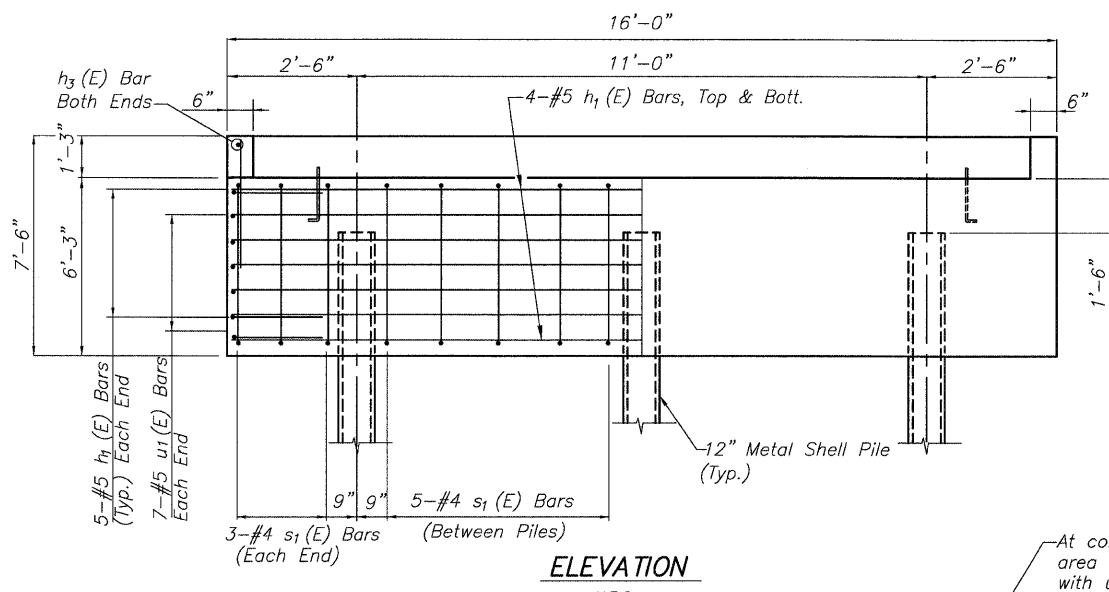
PLAN
N.T.S.



TYPICAL SECTION THRU ABUTMENT
N.T.S.

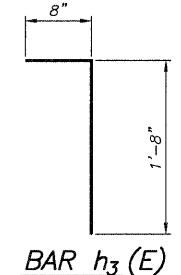
*Note: Final location of bolt pattern to be provided by Bridge Supplier and detailed on shop drawings.

Elev. 601.91 (North Abut.)
Elev. 602.59 (South Abut.)

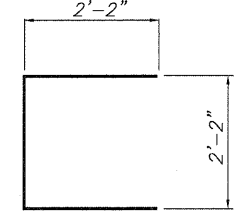


ELEVATION
N.T.S.

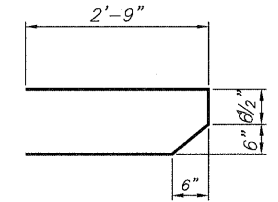
DESIGN STRESSES
fy = 60,000 psi
f'c = 3,500 psi
Fb = 1600 psi



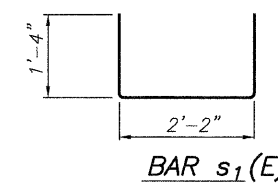
BAR h3(E)



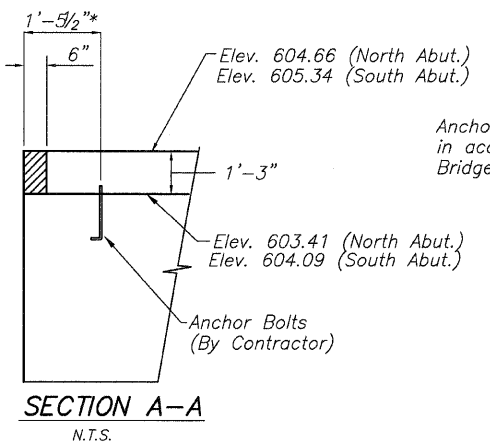
BAR u(E)



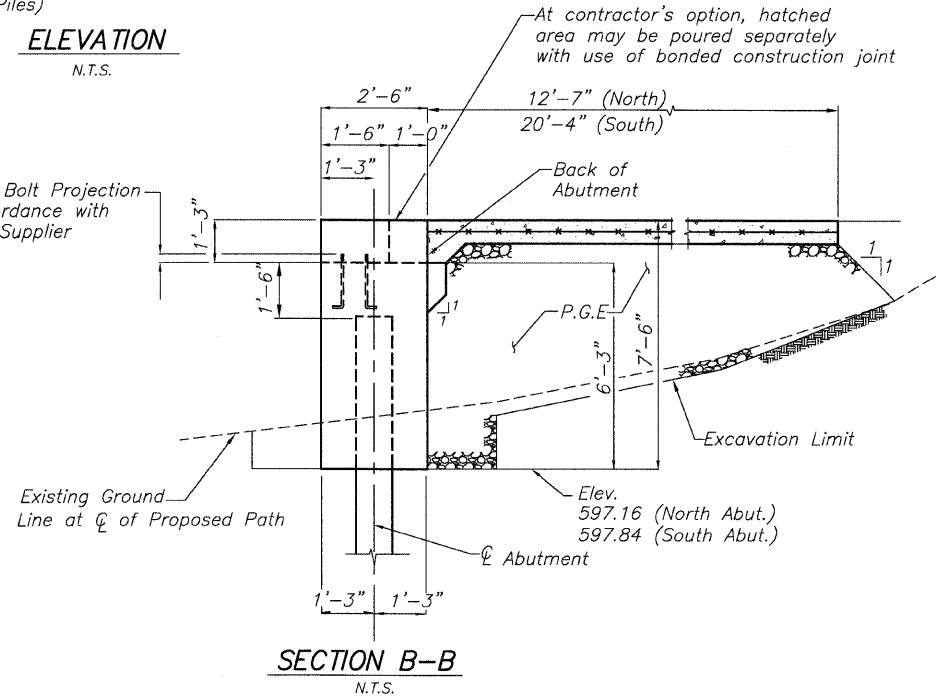
BAR s(E)



BAR s1(E)



SECTION A-A
N.T.S.



SECTION B-B
N.T.S.

BILL OF MATERIAL
For Two Abutment

Bar	No.	Size	Length	Shape
h1(E)	36	#5	15'-8"	—
h2(E)	4	#4	15'-8"	—
h3(E)	4	#4	2'-4"	└
h4(E)	4	#4	15'-1"	—
s(E)	32	#4	6'-3"	┌
s1(E)	32	#4	4'-10"	└
v1(E)	32	#4	1'-8"	—
v2(E)	32	#4	3'-0"	—
v3(E)	40	#4	7'-2"	—
v4(E)	32	#4	5'-11"	—
u(E)	28	#5	6'-6"	┌
Structure Excavation		Cu. Yd.		8.3
Concrete Structures		Cu. Yd.		20.8
Furnishing Metal Shell Piles, 12"x0.250"		Foot		160
Driving Piles		Foot		160
Test Pile Metal Shells		Each		2
Reinforcement Bars Epoxy Coated		Pound		1,520
Concrete Sealer		Sq. Ft		88

PILE DATA

ABUTMENTS:
Type & Size.....Metal Shell -12 in. dia x 0.25 in. walls
Nominal Required Bearing.....201 kips
Allowable Resistance Available.....67 kips
Est. Length.....40'
No. Req'd.....2+1 (South Abutment)
No. Req'd.....2+1 (North Abutment)

ABUTMENT DETAILS

GRAND ILLINOIS TRAIL
CARROLL COUNTY
STATION 150+77.75

NOTES

- Reinforcement bars shall conform to ASTM A706, Gr. 60 (IL Modified). See Special Provisions
- The Contractor shall drive test piles to 110% of the nominal required bearing specified in production locations at substructures specified or approved by the Engineer before ordering the remainder of piles.
- All edges shall be a 3/4" chamfer unless otherwise noted.
- Provide 2" clear unless otherwise noted.
- Reinforcement bars designated (E) shall be Epoxy coated.
- The Timber backing is required to conform to Article 507 and 1007.03 of the Standard Specifications.
- Concrete Sealer shall be applied to the seat area of both Abutments.

DESIGNED	MHM
CHECKED	JBF
DRAWN	MHM
CHECKED	JBF