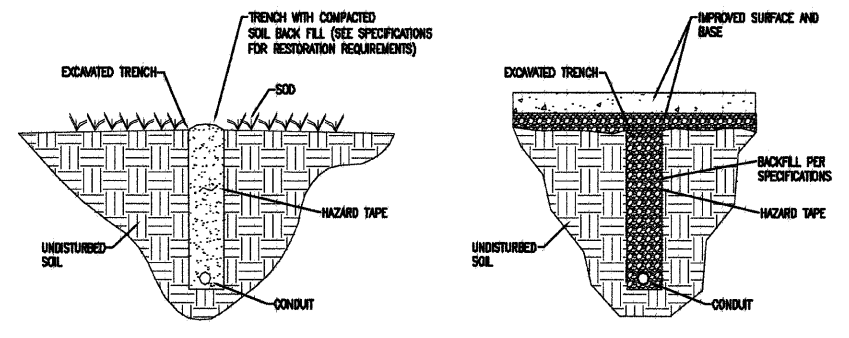
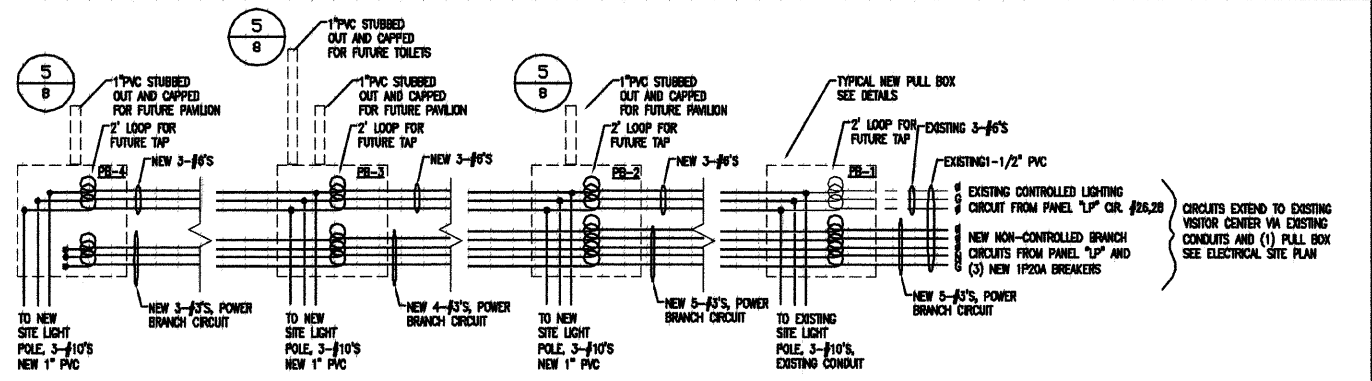


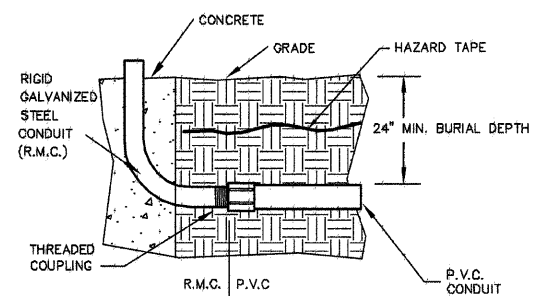
1 SITE LIGHTING POST DETAIL
NO SCALE



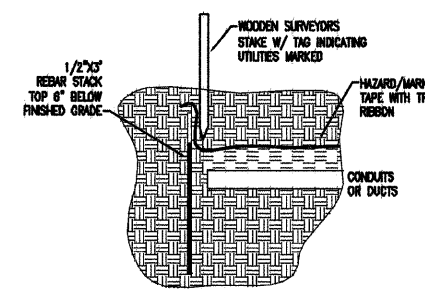
TYPICAL CONDUIT TRENCHING DETAILS
NO SCALE



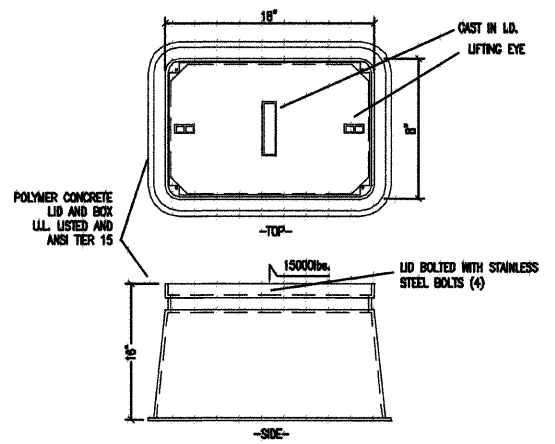
ONE LINE CIRCUIT DIAGRAM
NO SCALE



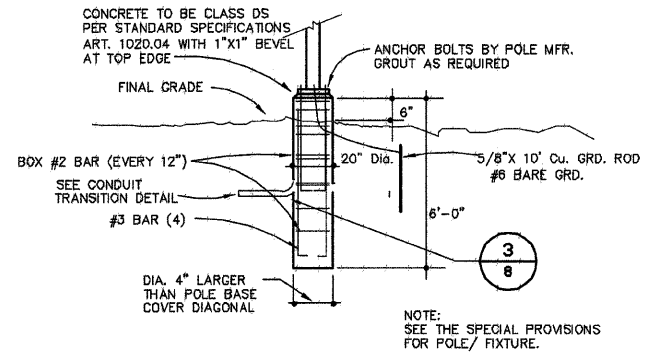
3 TYPICAL CONDUIT TRANSITION
NO SCALE



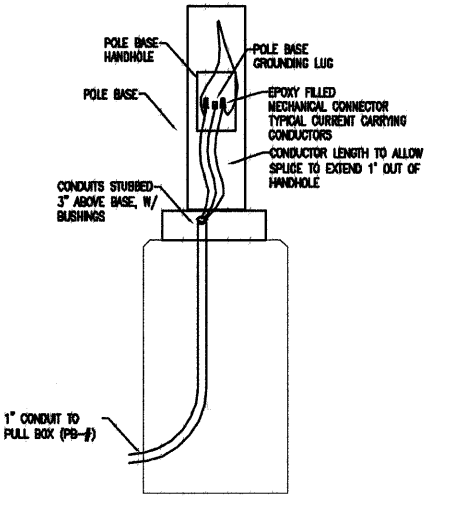
5 EMPTY CONDUIT TERMINATION
NO SCALE



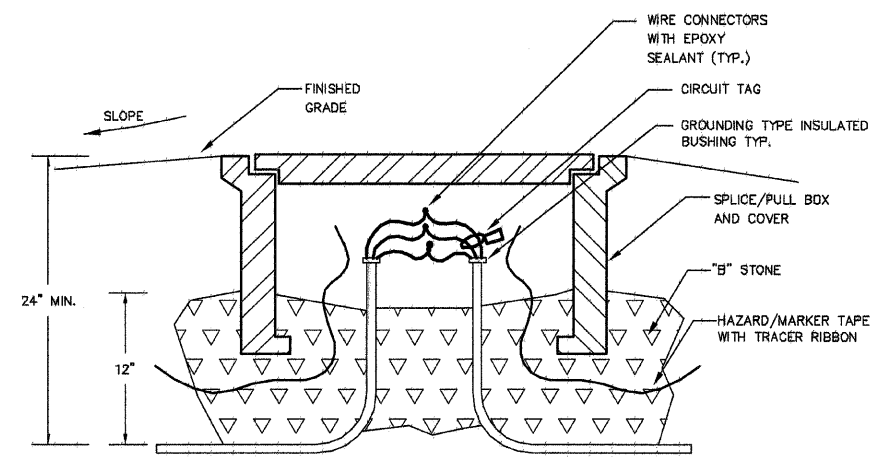
TYPICAL PULL BOX REQUIREMENTS
NO SCALE



2 TYPICAL POLE BASE
NO SCALE



4 BASE ELECTRICAL CONNECTION DETAIL
NO SCALE



TYPICAL PULL BOX CONNECTION DETAIL
NO SCALE

FILE NAME -- \$FILEL\$	USER NAME --	DESIGNED --	REVISED --	STATE OF ILLINOIS DEPARTMENT OF TRANSPORTATION	SITE LIGHTING NOTES AND DETAILS LEWIS AND CLARK STATE HISTORIC SITE		F.A. R.T.E. --	SECTION	COUNTY	TOTAL SHEETS	SHEET NO.
PLOT SCALE --	DRAWN -- D.M.U.	REVISED --	MADISON				13	B			
PLOT DATE --	CHECKED --	REVISED --	CONTRACT NO. 4606/								
DATE -- 2/27/09	REVISED --	SCALE: NONE SHEET NO. 8 OF 13 SHEETS STA. _____ TO STA. _____									
FED. ROAD DIST. NO. -- ILLINOIS FED. AID PROJECT											