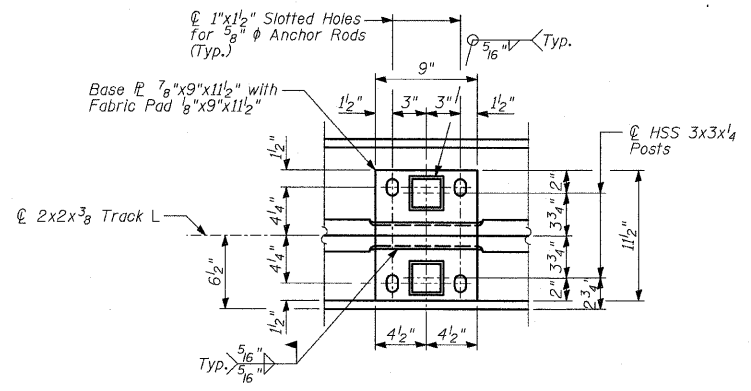
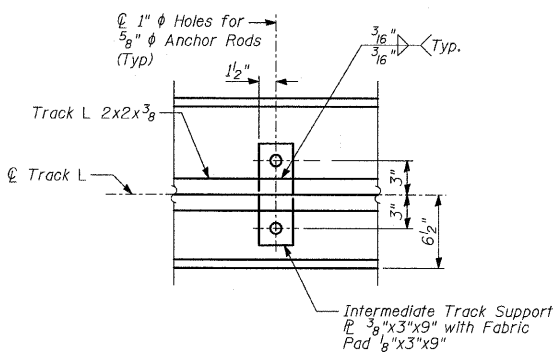


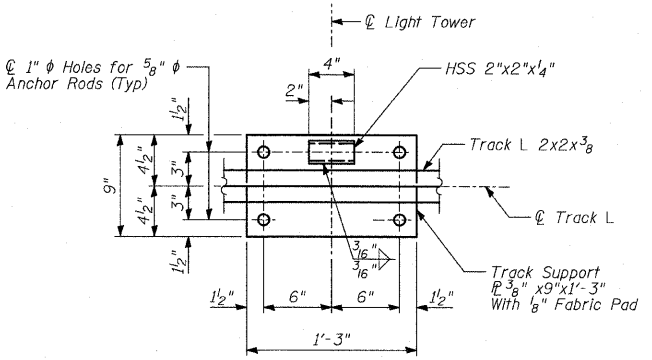
PLAN - GATE IN OPEN POSITION



DETAIL 1 - BASE P PLAN



DETAIL 2



DETAIL 3

BILL OF MATERIAL

LOCATION	ITEM	UNIT	TOTAL
25B	Chain Link Gate Assembly (Special)	EACH	3
25C	Chain Link Gate Assembly (Special)	EACH	2
	TOTAL	EACH	5

NOTES:

- All rods shall be stainless steel conforming to ASTM F593-98 and F594-98.
- All pipes and bars shall be hot dipped galvanized after fabrication.
- For Back Face Elevations, see Sheet 23 of 29.
- For Anchor Rod Details, see Sheet 24 of 29.

REVISIONS	
NAME	DATE

ILLINOIS DEPARTMENT OF TRANSPORTATION  
 F.A.I. 94 (DAN RYAN EXPRESSWAY)  
 CHAIN LINK GATE ASSEMBLY (SPECIAL),  
 GATE PLAN AND NOTES

S.N. DESIGNED BY: MAF  
 SCALE: N.T.S. DRAWN BY: MAF  
 DATE: FEBRUARY 13, 2009 CHECKED BY: MI