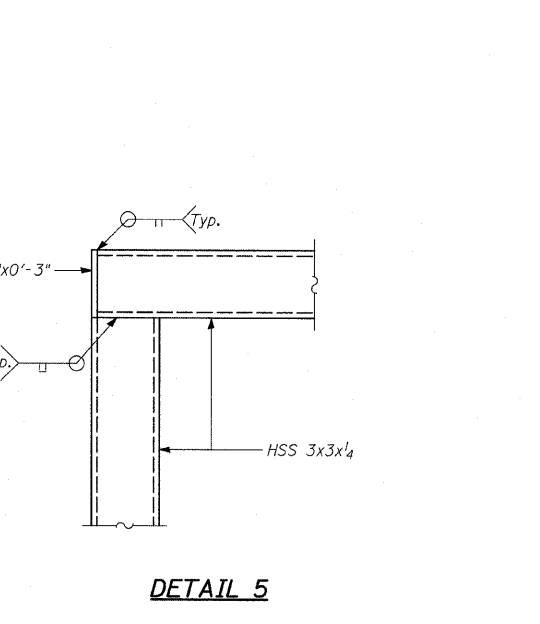
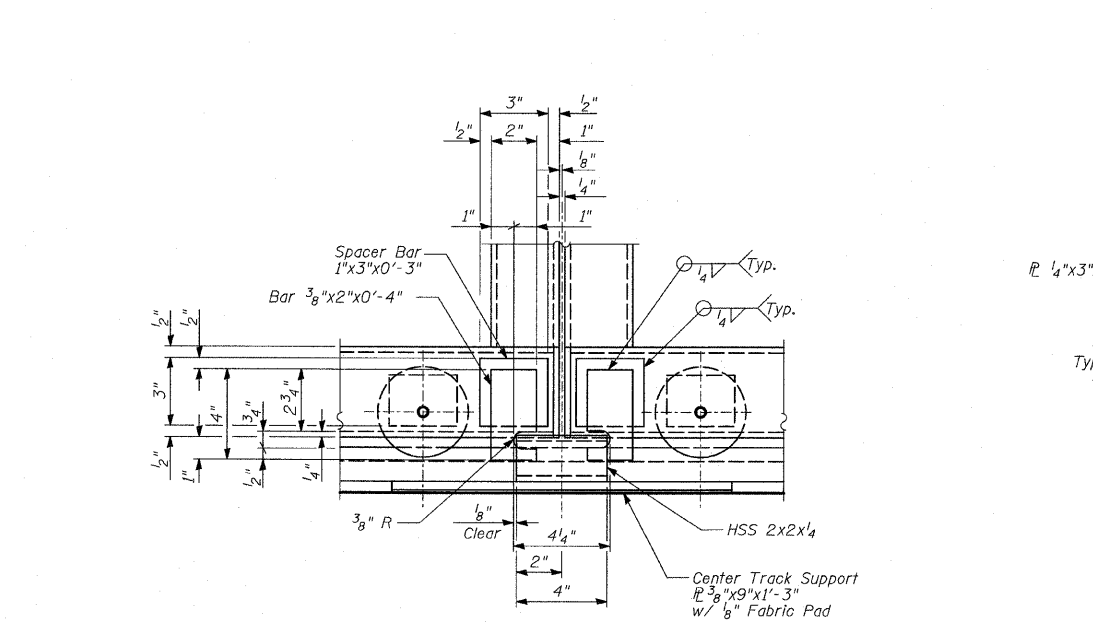
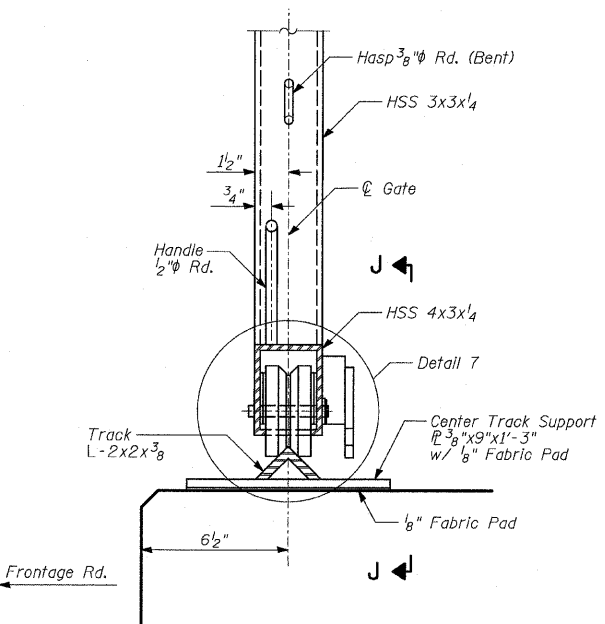
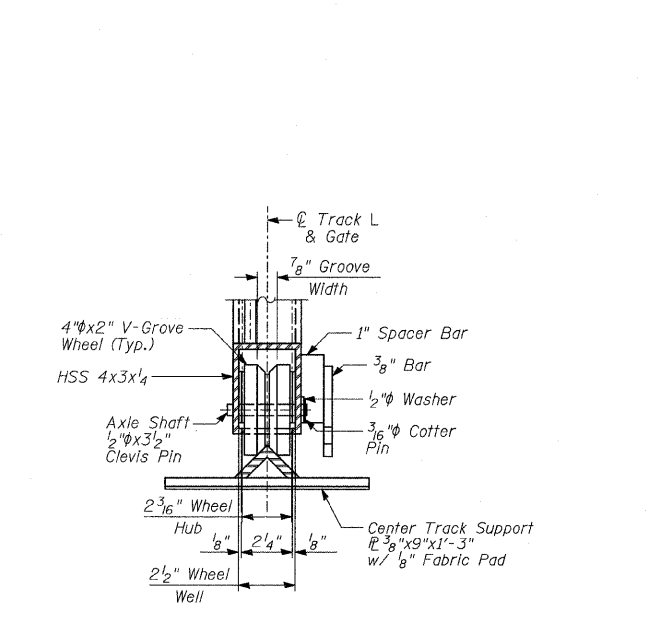
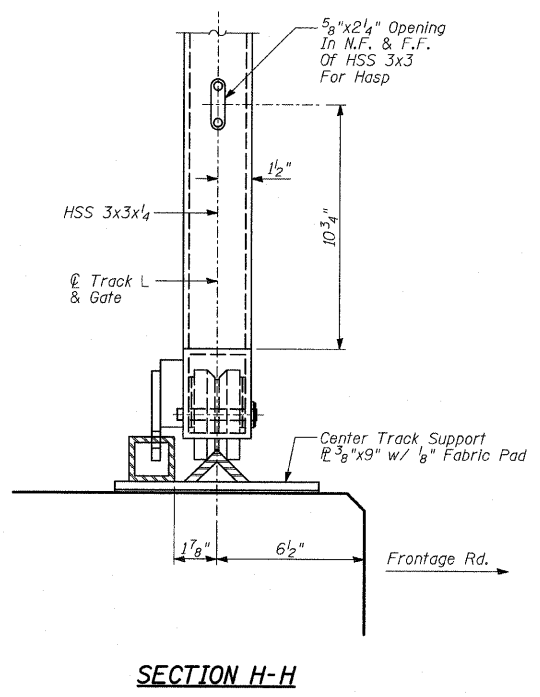
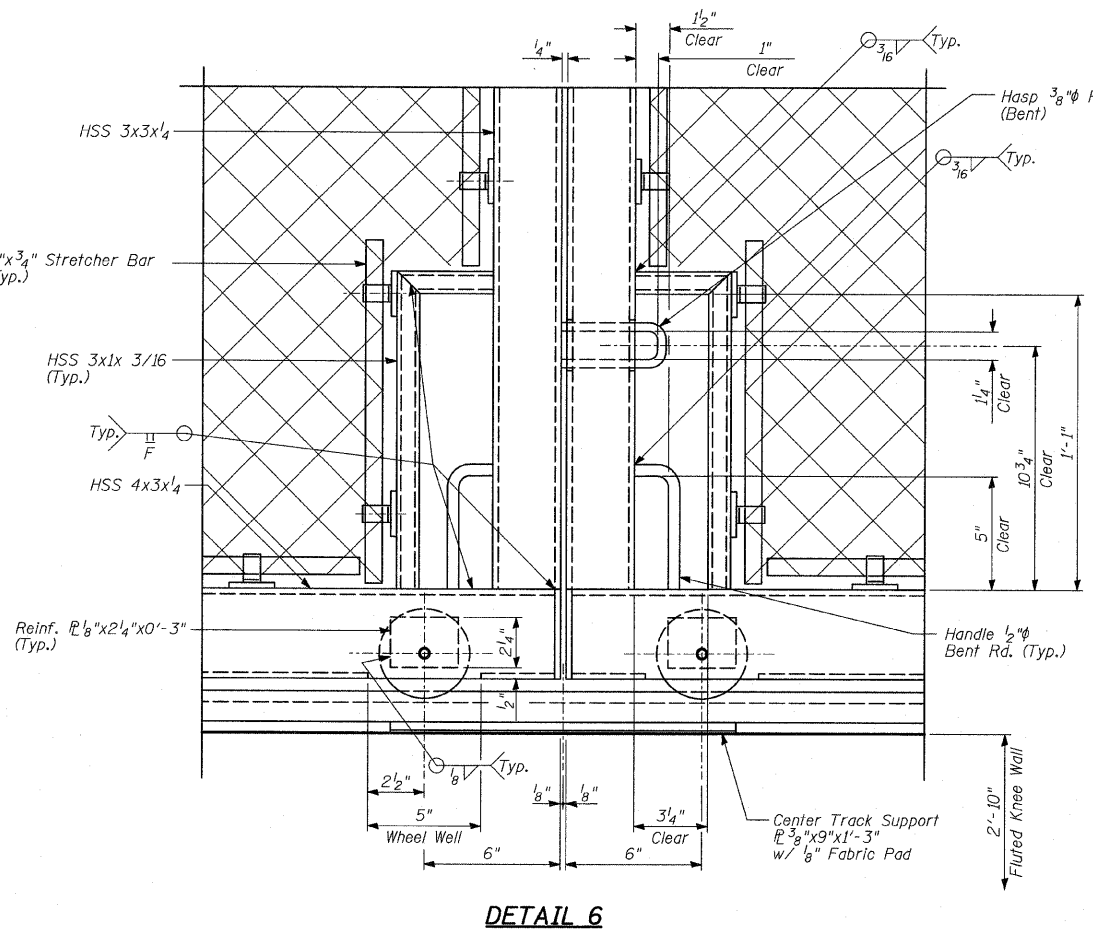
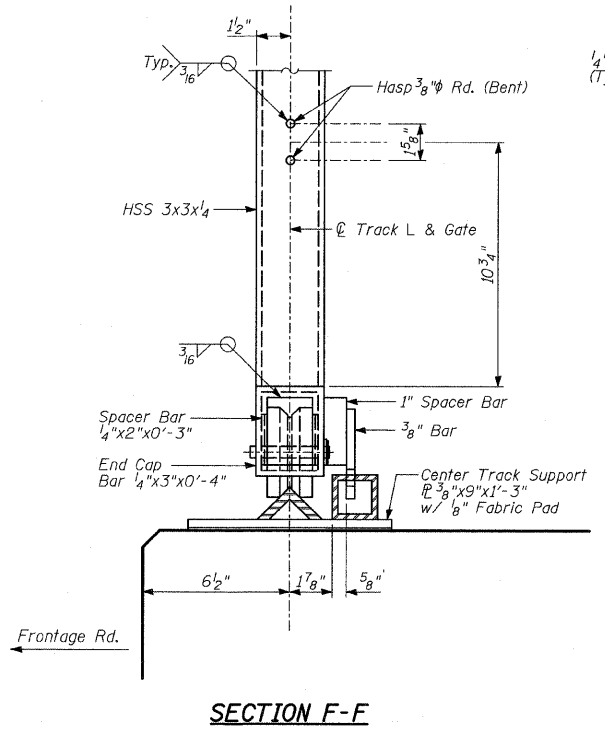
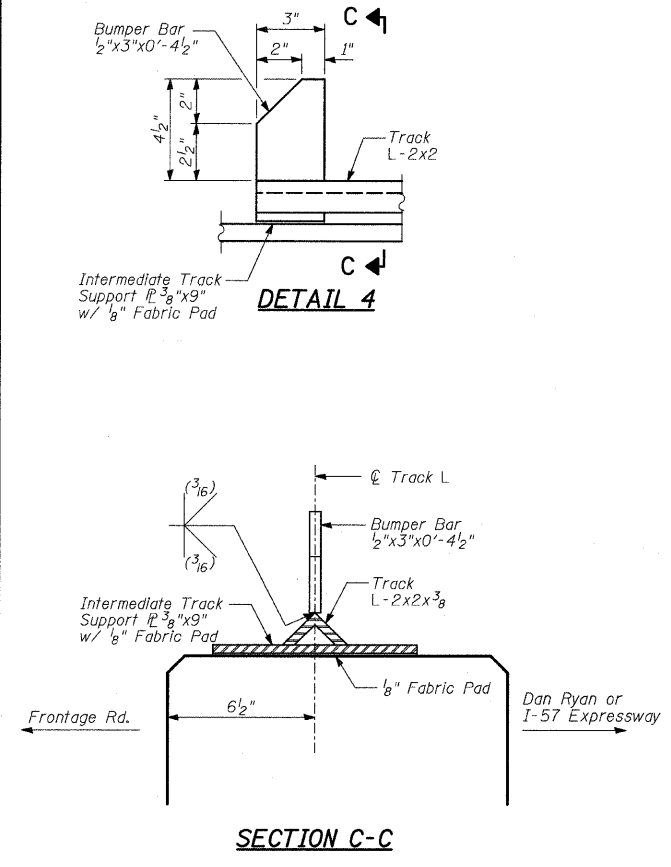


F.A.I. RTE.	SECTION	COUNTY	TOTAL SHEETS	SHEET NO.
94	2005-030 I	COOK	29	25
STA. 2212+06.2		TO STA. 2338+58.7		
FED. ROAD DIST. NO.	ILLINOIS	FED. AID PROJECT		

60A01



TYLIN INTERNATIONAL

- NOTES:**
- For Notes, see Sheet 22 of 29.
 - For Anchor Rod locations, see Sheet 22 of 29.
 - For Anchor Rod details, see Sheet 24 of 29.
 - N.F. - denotes Near Face.
 - F.F. - denotes Far Face.

REVISIONS	
NAME	DATE

ILLINOIS DEPARTMENT OF TRANSPORTATION
F.A.I. 94 (DAN RYAN EXPRESSWAY)
CHAIN LINK GATE ASSEMBLY (SPECIAL),
GATE SECTIONS AND DETAILS

S.N. DESIGNED BY: MAF
SCALE: N.T.S. DRAWN BY: MAF
DATE: FEBRUARY 13, 2009 CHECKED BY: MI

3/19/2009 10:58:36 AM