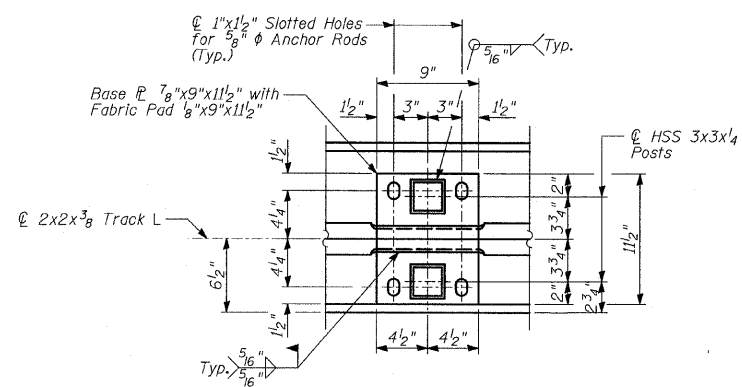
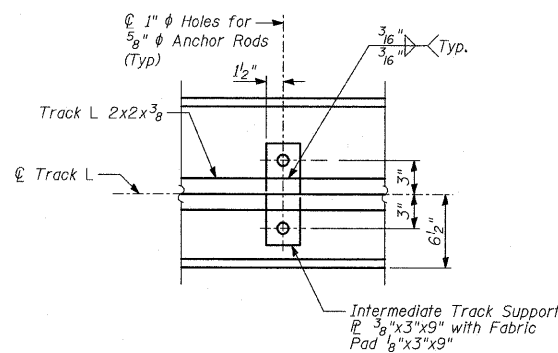


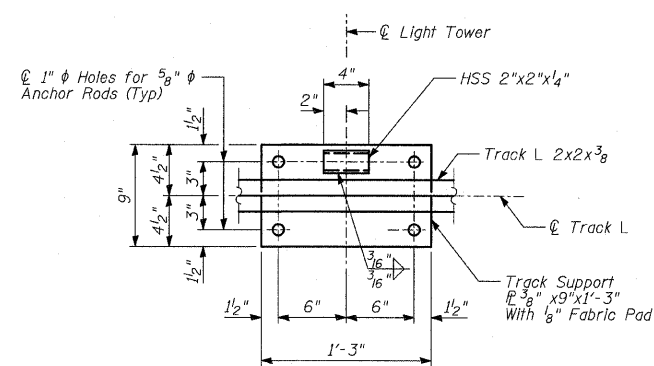
PLAN - GATE IN OPEN POSITION



DETAIL 1 - BASE P PLAN



DETAIL 2



DETAIL 3

BILL OF MATERIAL

LOCATION	ITEM	UNIT	TOTAL
26B	Chain Link Gate Assembly (Special)	EACH	1
26C	Chain Link Gate Assembly (Special)	EACH	1
	TOTAL	EACH	2

NOTES:

- All rods shall be stainless steel conforming to ASTM F593-98 and F594-98.
- All pipes and bars shall be hot dipped galvanized after fabrication.
- For Back Face Elevations, see Sheet 23 of 29.
- For Anchor Rod Details, see Sheet 24 of 29.

REVISIONS	
NAME	DATE

ILLINOIS DEPARTMENT OF TRANSPORTATION
F.A.I. 94 (DAN RYAN EXPRESSWAY)
CHAIN LINK GATE ASSEMBLY (SPECIAL),
GATE PLAN AND NOTES

S.N. _____ DESIGNED BY: MAF
SCALE: N.T.S. DRAWN BY: MAF
DATE: FEBRUARY 13, 2009 CHECKED BY: MI