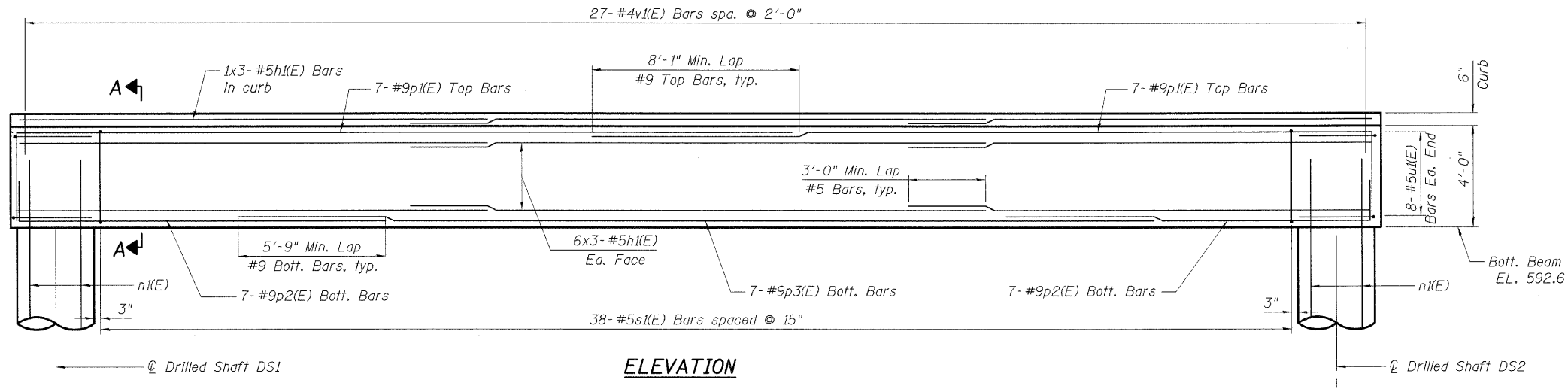


F.A.I. RTE.	SECTION	COUNTY	TOTAL SHEETS	SHEET NO.
55	99 (1&2) I-11	WILL	176	97
STA.		TO STA.		
FED. ROAD DIST. NO.	ILLINOIS FED. AID PROJECT			



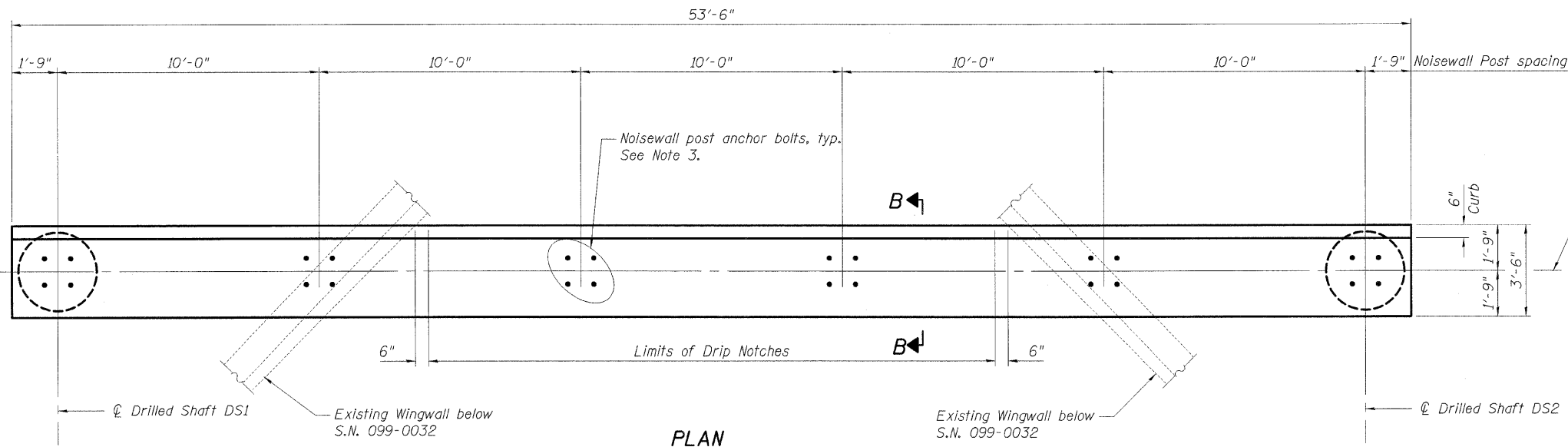
ELEVATION

BAR LIST

Bar	No.	Size	Length	Shape
p1(E)	14	#9	32'-3"	□
p2(E)	14	#9	16'-1"	□
p3(E)	7	#9	35'-9"	—
h1(E)	39	#5	19'-9"	—
s1(E)	38	#5	14'-7"	□
u1(E)	16	#5	9'-2"	□
v1(E)	27	#4	1'-4"	—

BILL OF MATERIAL

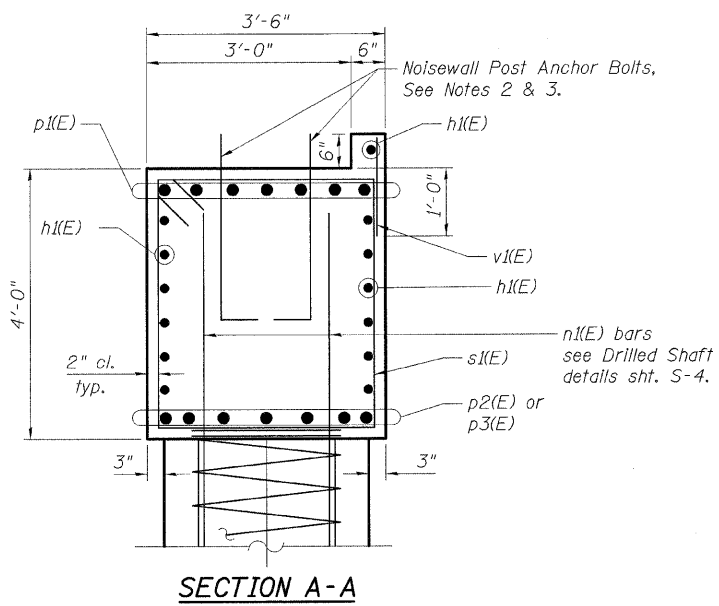
Item	Unit	Total
Concrete Structures	Cu. Yd.	28.2
Reinforcement Bars, Epoxy Coated	Pound	4,710



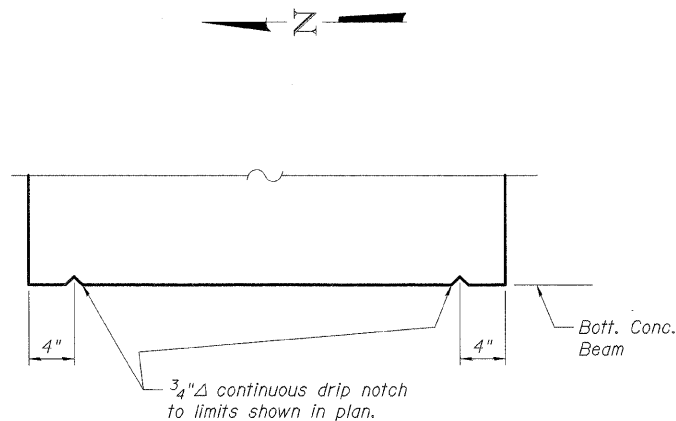
PLAN

NOTES:

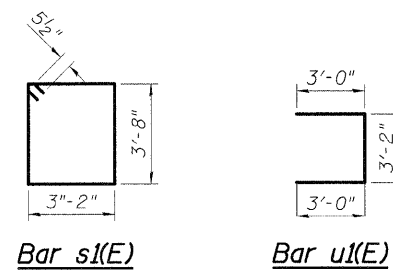
- Bars indicated thus 6x2-#5 etc. indicates 6 bars with 2 lengths per line.
- Space top bars to miss anchor bolts.
- Structure mounted posts shall be connected to the support by the use of base plates and anchor bolts in accordance with Special Provision "Noise Abatement Walls".



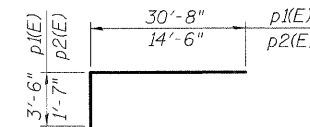
SECTION A-A



SECTION B-B



Bar s1(E) Bar u1(E)



Bars p1(E) & p2(E)

SHT. S-3 OF S-6

REVISIONS	
NAME	DATE

ILLINOIS DEPARTMENT OF TRANSPORTATION
 FAI ROUTE 55 (BLACK ROAD TO U.S. ROUTE 30)
 NOISE ABATEMENT WALLS
 NOISE WALL OVER SUNNYLAND DRAIN AT EAST FRONTAGE ROAD
 S.N. 099-0032, STA. 391+89.74, SECTION 99 (1&2) I-11
 WILL COUNTY

BEAM ELEVATION SECTIONS & DETAILS

SCALE: DRAWN BY CB
 DATE 02/06/09 CHECKED BY BGK

TENG ENGINEERS/ARCHITECTS/PLANNERS
 CHICAGO, ILLINOIS

PLOT DATE = 02/06/09
 FILE NAME = FILE11.DWG
 USER NAME = USER