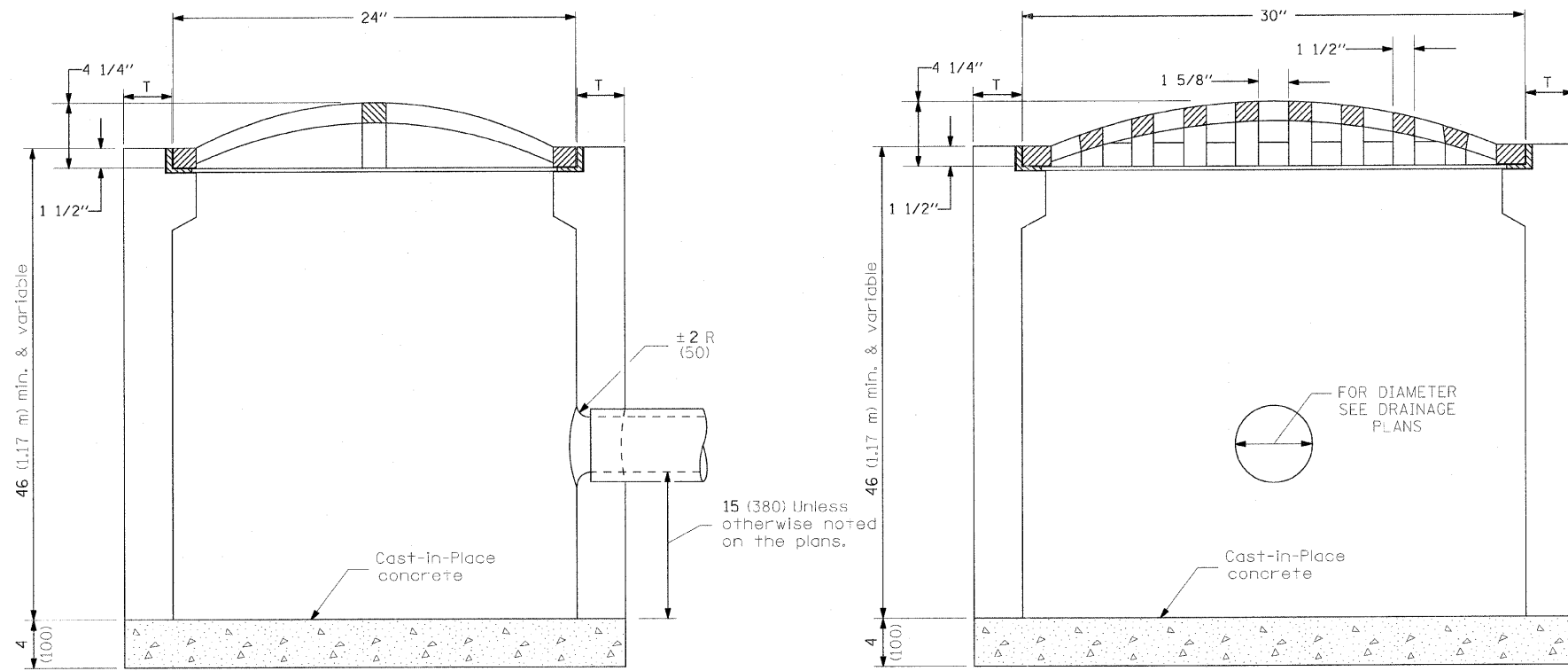
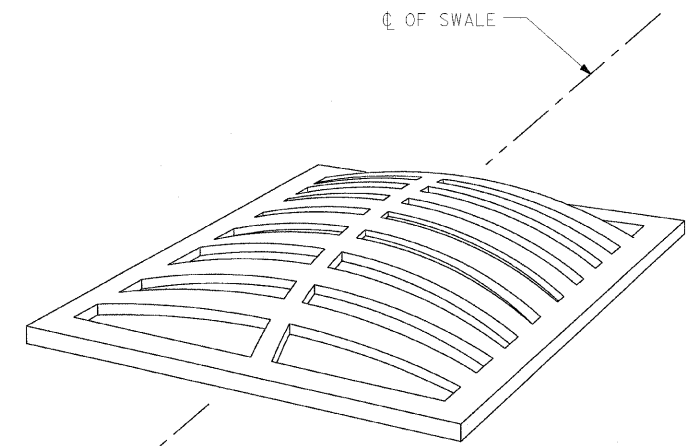


F.A.I. RTE.	SECTION	COUNTY	TOTAL SHEETS	SHEET NO.
55	99 (1&2) I-12	WILL	147	64
STA.		TO STA.		
FED. ROAD DIST. NO.	ILLINOIS	FED. AID PROJECT		

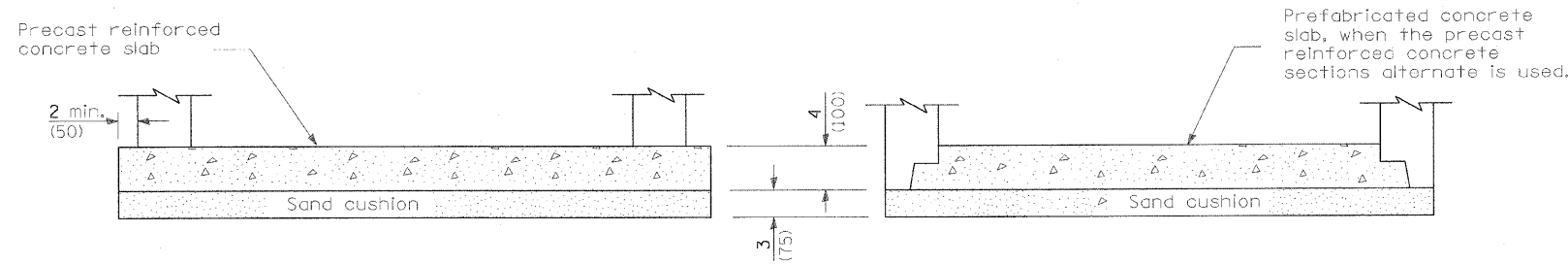


ELEVATION

ALTERNATE MATERIALS FOR WALLS	T (min)
Precast Reinforced Concrete Section	3 (75)
Concrete Masonry Unit	5 (125)
Cast-in-Place Concrete	6 (150)
Brick Masonry	8 (200)



3-D DRAWING OF GRATE



ALTERNATE BOTTOM SLAB

CATCH BASIN AND CONVEX GRATE (SPECIAL)

REVISIONS	
NAME	DATE

ILLINOIS DEPARTMENT OF TRANSPORTATION  
 FAI ROUTE 55  
 US 30 (PLAINFIELD ROAD) TO WEBER ROAD  
 DRAINAGE DETAIL

SCALE: NTS  
 DATE: 2-06-09

DRAWN BY: MMS  
 CHECKED BY: DM



FINAL