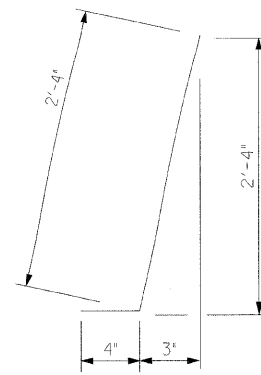


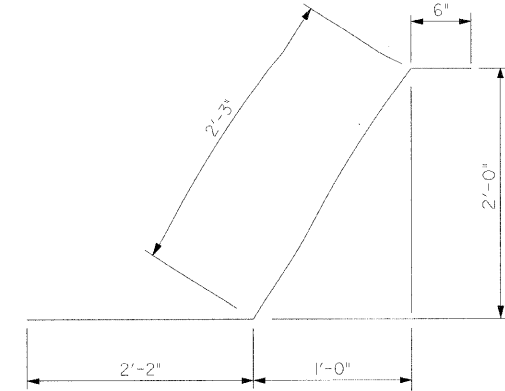
F.A.I. RTE.	SECTION	COUNTY	TOTAL SHEETS	SHEET NO.
55	99 (82) I-12	WILL	147	74c
STA. 610+25.64		TO STA. 767+00.00		
FED. ROAD DIST. NO.	ILLINOIS	FED. AID PROJECT		

BILL OF MATERIAL

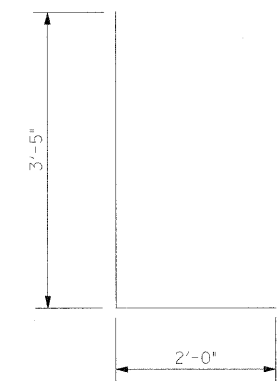
BAR	NO.	SIZE	LENGTH	SHAPE
d(E)	5913	#5	4'-4"	
d1(E)	5913	#5	2'-8"	
d2(E)	5913	#5	4'-11"	
d3(E)	52	#5	5'-5"	
d4(E)	52	#5	4'-4"	
d5(E)	52	#5	3'-10"	
e(E)	1672	#4	30'-0"	
e1(E)	20	#4	24'-8"	
f(E)	11826	#5	4'-8"	
f1(E)	5913	#5	5'-5"	
w(E)	2508	#4	30'-0"	
Reinforcement Bars, Epoxy Coated			Pound	249,300



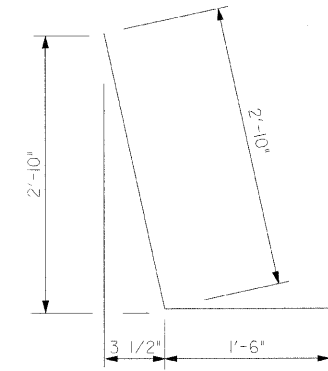
BAR d1(E)



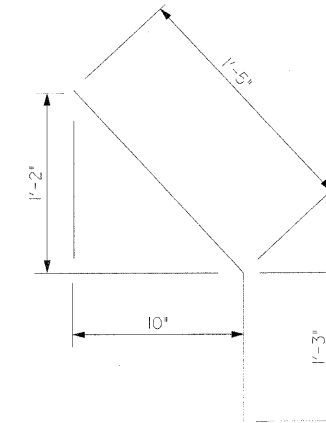
BAR d2(E)



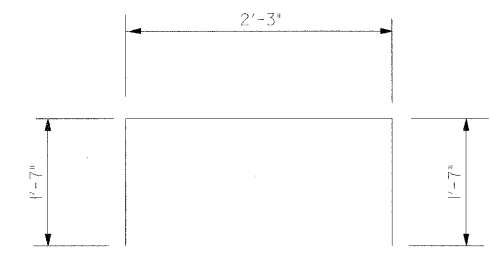
BAR d3(E)



BAR d4(E)



BAR d5(E)



BAR f1(E)

REVISIONS	
NAME	DATE

ILLINOIS DEPARTMENT OF TRANSPORTATION
 FAIRROUTE 55
 US 30 (PLAINFIELD ROAD) TO WEBER ROAD
 CONCRETE BARRIER TRANSITION
 AND BARRIER DETAILS



SCALE: DATE: 6--2-09 DRAWN BY: MWS CHECKED BY: DM

FINAL