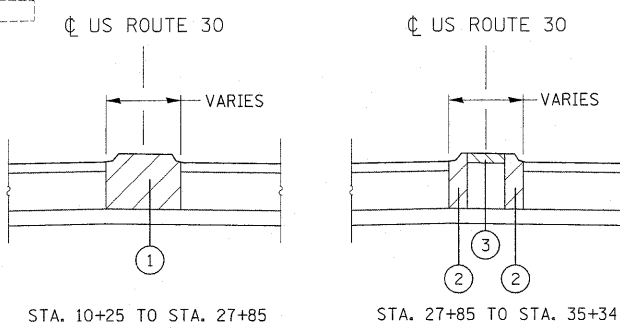


- STAGE 1**
 WORK ITEMS 1 & 2 BELOW SHALL BE PERFORMED IN ACCORDANCE WITH HIGHWAY STANDARD 701421:
 1. REMOVE EXISTING MEDIAN, MEDIAN SURFACE, CURB & GUTTER, AND PROVIDE TEMPORARY PAVEMENT FROM STA. 10+25 TO STA. 17+50 AND FROM STA. 22+50 TO STA. 35+34.
 2. REMOVE EXISTING CURB & GUTTER, AND PROVIDE TEMPORARY PAVEMENT AT ALL FOUR QUADRANTS OF THE INTERCHANGE AT LOCATIONS AS SHOWN IN THE PLANS AND AS LISTED BELOW:
 - STA. 16+05 LT. TO STA. 16+53 LT.
 - STA. 23+53 LT. TO STA. 24+50 LT.
 - STA. 15+04 RT. TO STA. 16+51 RT.
 - STA. 23+60 RT TO STA. 23+81 RT.
 3. CLOSE SOUTH PORTION OF US ROUTE 30 IN ACCORDANCE WITH HIGHWAY STANDARD 701431.
 4. REMOVE CONFLICTING EXISTING PAVEMENT MARKINGS AND RAISED REFLECTIVE PAVEMENT MARKERS.
 5. REMOVE SOUTH PORTION OF EXISTING BRIDGE, GUARDRAIL, SIDEWALK, CURB & GUTTER, MEDIAN, AND PORTIONS OF PAVEMENT.
 6. CONSTRUCT SOUTH PORTION OF PROPOSED BRIDGE, SHOULDER, PARAPET, GUARDRAIL, EROSION CONTROL, SIGNING, LIGHTING, AND PAVEMENT.
 7. BRIDGE BEAM REMOVAL AND SETTING TO BE PERFORMED UNDER TRAFFIC CONTROL AND PROTECTION (EXPRESSWAYS).



MEDIAN TYPICAL SECTIONS

- ① PROP. MEDIAN REMOVAL;
PROP. CONCRETE MEDIAN, TYPE SB-6.06
- ② PROP. COMBINATION CONCRETE CURB AND
GUTTER REMOVAL AND REPLACEMENT
- ③ PROP. MEDIAN SURFACE REMOVAL AND
REPLACEMENT

- LEGEND**
- WORK AREA
 - IMPACT ATTENUATORS, TEMPORARY (FULLY REDIRECTIVE, NARROW), TEST LEVEL 3
 - TYPE III BARRICADE
 - TEMPORARY CONCRETE BARRIER
 - DRUM WITH STEADY BURN MONODIRECTIONAL LIGHT/DIRECTION INDICATOR BARRICADE WITH STEADY BURN MONODIRECTIONAL LIGHT (PER HWY. STD. 701431-04)
 - SIGN

LIN ENGINEERING, LTD.
 Consulting Engineers
 Chatham, Illinois
 Westmont, Illinois

FILE NAME = ... \D160C05-SHT-Stage-1-1.dgn	USER NAME = Plotted by Administrator	DESIGNED - ST	REVISED -
		DRAWN - ST	REVISED -
		CHECKED - FML	REVISED -
		DATE - 05/2009	REVISED -

**STATE OF ILLINOIS
 DEPARTMENT OF TRANSPORTATION**

**MAINTENANCE OF TRAFFIC STAGE I
 US ROUTE 30 OVER IL ROUTE 394**

SCALE: 1" = 50' SHEET NO. OF SHEETS STA. 5+00.00 TO STA. 9+00.00

F.A.P. RTE. NO.	SECTION	COUNTY	TOTAL SHEETS	SHEET NO.
0353	0303.1B-1	COOK	91	15
CONTRACT NO. 60C05				
FED. ROAD DIST. NO. ILLINOIS FED. AID PROJECT				