

GENERAL NOTES

Fasteners shall be AASHTO M164 Type 1, mechanically galvanized bolts. Bolts $\frac{7}{8}$ -in. ϕ , holes $\frac{15}{16}$ -in. ϕ , unless otherwise noted.

Calculated weight of Structural Steel = 274000 lb. Gr. 50
28400 lb. Gr. 36

No field welding is permitted except as specified in the contract documents.

Reinforcement bars shall conform to the requirements of ASTM A 706 Gr 60. See Special Provisions.

Reinforcement bars designated (E) shall be epoxy coated.

Plan dimensions and details relative to existing plans are subject to nominal construction variations. The Contractor shall field verify existing dimensions and details affecting new construction and make necessary approved adjustments prior to construction or ordering of materials. Such variations shall not be cause for additional compensation for a change in scope of the work, however, the Contractor will be paid for the quantity actually furnished at the unit price bid for the work.

Bearing seat surfaces shall be constructed or adjusted to their designated elevations within a tolerance of $\frac{1}{8}$ inch (0.01 ft.). Adjustment shall be made either by grinding the surface or by shimming the bearings.

Concrete Sealer shall be applied to new concrete surfaces of the abutments including the face of backwall, bearing seats and face of the pile cap, and to all new concrete surfaces of all piers.

The Organic Zinc Rich Primer / Epoxy / Urethane Paint System shall be used for painting of new structural steel except where otherwise noted. The entire system shall be shop applied, with the exception that masked off connection surfaces, field installed fasteners and damaged areas shall be touched up in the field. The color of the final finish coat for all interior steel surfaces shall be Gray, Munsell No. 5B 7/1. The color of the final finish coat for the exterior and bottom flange of the fascia beams shall be Reddish Brown, Munsell No. 2.5 YR 3/4. See Special Provision for "Cleaning and Painting New Metal Structures".

Slipforming of parapets is not allowed.

Protective shield may exist in some locations. The Contractor with the approval of the Engineer may re-use the existing protective shield. If protective shield is to be re-utilized, the Contractor shall evaluate the existing protective shield, and demonstrate through calculations sealed by an Illinois Licensed Structural Engineer that the existing system meets or exceeds the design requirements specified in Article 501.03 of the Standard Specifications. Supplementing and/or replacement of the existing shield may be required to satisfy the Standard Specifications. The cost of maintaining and adjusting the protective shield shall be included in the cost of Protective Shield.

The existing protective shield shall be salvaged when no longer required. The salvaged protective shield shall be delivered to IDOT District One Bridge Office, 1101 Biersterfield Road, Elk Grove Village, Illinois, 60007, telephone 847-956-1501; 24 hour notice before delivery is required. The cost of salvaging and delivering the existing protective shield shall be included in the cost of Protective Shield.

STATE OF ILLINOIS
DEPARTMENT OF TRANSPORTATION

INDEX OF STRUCTURAL SHEETS

SHEET NO.	TITLE
S-1	General Plan and Elevation
S-2	General Notes and Total Bill of Material
S-3	Construction Staging and Details
S-4	Temporary Concrete Barrier for Stage Construction
S-5	Top of Slab Elevations Layout
S-6	Top of Slab Elevations I
S-7	Top of Slab Elevations II
S-8	Top of West Approach Slab Elevations
S-9	Top of East Approach Slab Elevations
S-10	Superstructure Plan
S-11	Superstructure Details I
S-12	Superstructure Details II
S-13	Preformed Joint Strip Seal
S-14	Bridge Approach Slab Details I
S-15	Bridge Approach Slab Details II
S-16	Framing Plan and Beam Elevation
S-17	Beam Details
S-18	Bearing Details
S-19	Abutment Removal Details
S-20	West Abutment Plan and Elevation
S-21	East Abutment Plan and Elevation
S-22	Abutment Details
S-23	Pier Removal Details
S-24	Pier Repair Details
S-25	Pier 1 Cap Modifications
S-26	Pier 2 Cap Modifications
S-27	Pier 3 Cap Modifications
S-28	Bar Splicer Assembly Details
S-29	Drainage Scupper DS-11
S-30	Cantilever Forming Brackets for Superstructures with W27 Beams and Smaller

STATION 20+00
RE-BUILT 20__ BY
STATE OF ILLINOIS
LOADING HL-93
STRUCTURE NO. 016-0275

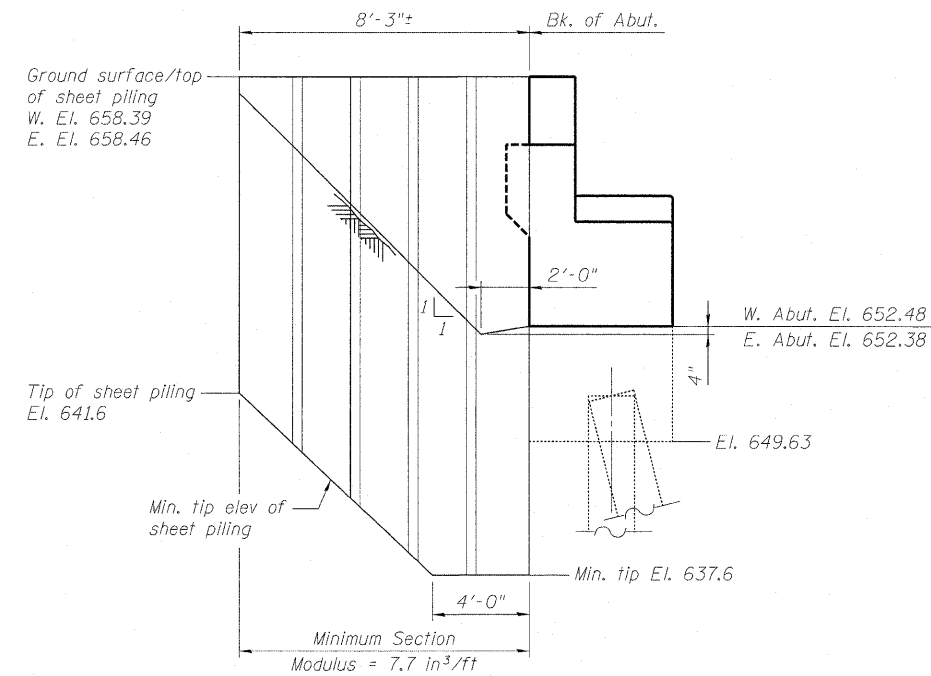
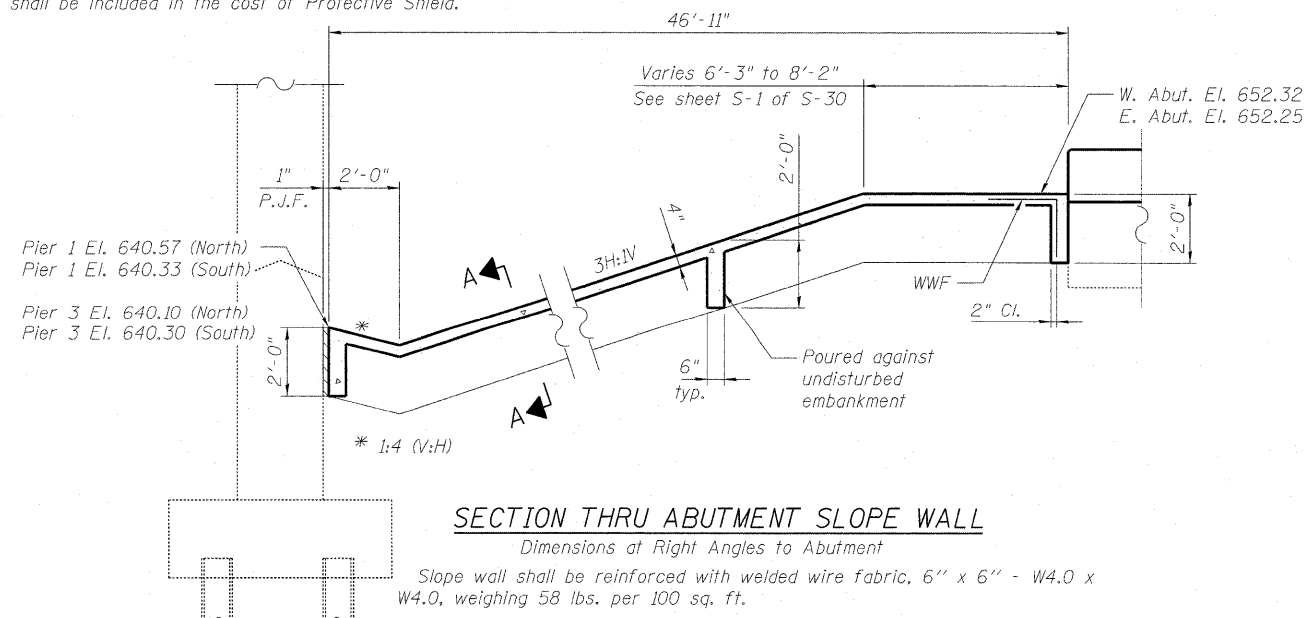
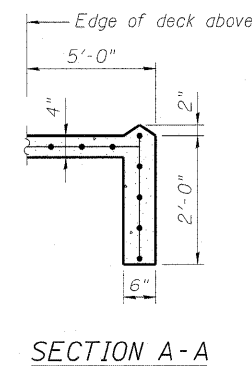
NAME PLATE

See Std. 515001

Existing Name Plate shall be cleaned and relocated next to new Name Plate. Cost included with Name Plates.

TOTAL BILL OF MATERIAL

ITEM	UNIT	SUPER	SUB	TOTAL
Porous Granular Embankment, Special	Cu. Yd.	-	190	190
Removal of Existing Superstructures	Each	1	-	1
Concrete Removal	Cu. Yd.	-	112	112
Protective Shield	Sq. Yd.	1086	-	1086
Structure Excavation	Cu. Yd.	-	190	190
Concrete Structures	Cu. Yd.	-	193.6	193.6
Concrete Superstructure	Cu. Yd.	696.0	-	696.0
Bridge Deck Grooving	Sq. Yd.	1819	-	1819
Protective Coat	Sq. Yd.	2337	-	2337
Furnishing and Erecting Structural Steel	L. Sum	-	1	1
Stud Shear Connectors	Each	8700	-	8700
Reinforcement Bars, Epoxy Coated	Pound	167590	20150	187740
Bar Splicers	Each	955	184	1139
Sloped 4 Inch	Sq. Yd.	-	838	838
Temporary Sheet Piling	Sq. Ft.	-	327	327
Name Plates	Each	1	-	1
Preformed Joint Strip Seal	Foot	136	-	136
Elastomeric Bearing Assembly, Type I	Each	40	-	40
Anchor Bolts, 1"	Each	40	-	40
Anchor Bolts, 1 1/4"	Each	20	-	20
Anchor Bolts, 1/2"	Each	40	-	40
Concrete Sealer	Sq. Ft.	-	3900	3900
Geocomposite Wall Drain	Sq. Yd.	-	110	110
Pipe Underdrains for Structures, 4"	Foot	-	221	221
Mechanical Splice	Each	-	306	306
Drainage Scupper, DS-11	Each	4	-	4
Structural Repair of Concrete (Depth < 5")	Sq. Ft.	-	105	105
Deck Slab Repair (Partial)	Sq. Yd.	110	-	110



If the Contractor chooses to alter the temporary cantilevered sheet piling design requirements shown on the plans, a design submittal including plan details and calculations will be required for review and acceptance by the Engineer. Sheet piling design based on assumed soil properties. The contractor shall monitor the sheet piling for movement/poor performance and notify the Engineer.

**GENERAL NOTES AND
TOTAL BILL OF MATERIAL
STRUCTURE NO. 016-0275**

DESIGNED - DF
CHECKED - BLU
DRAWN - LAM
CHECKED - BLU

BOWMAN, BARRETT & ASSOCIATES INC.
CONSULTING ENGINEERS
Chicago, Illinois
312.228.0100
www.bbainc.com
Job No. 910

SHEET NO. S-2	F.A.P RTE. 0353	SECTION 0303.1B-1	COUNTY COOK	TOTAL SHEETS 91	SHEET NO. 47
S-30 SHEETS	SN 016-0275		CONTRACT NO. 60C05		
FED. ROAD DIST. NO.		ILLINOIS		FED. AID PROJECT	