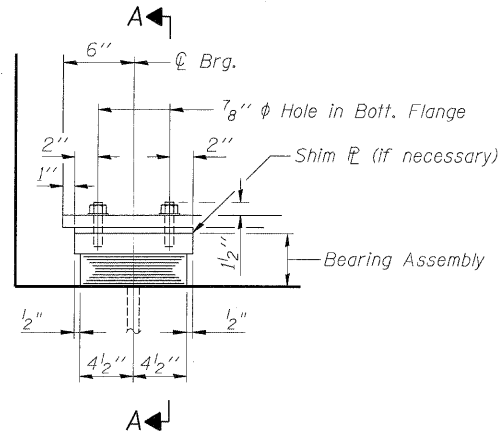
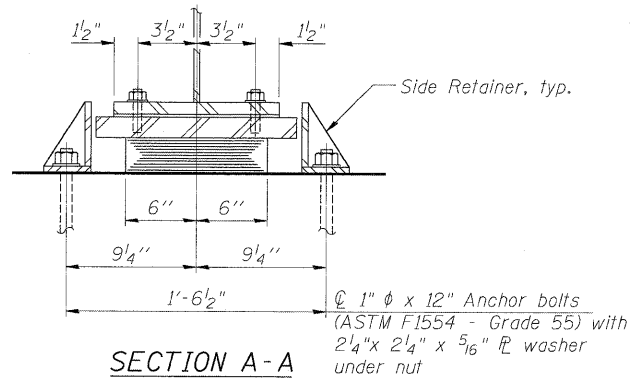


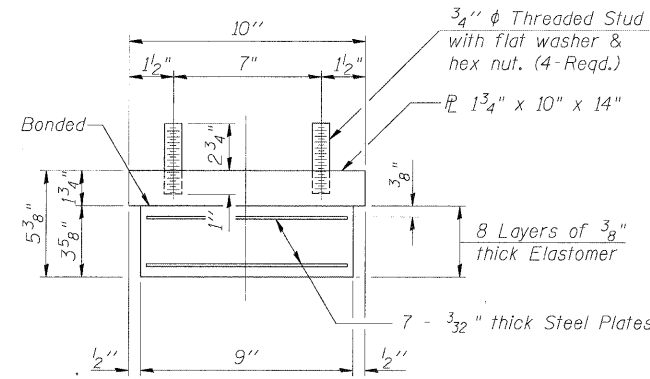
STATE OF ILLINOIS  
DEPARTMENT OF TRANSPORTATION



ELEVATION AT ABUTMENTS

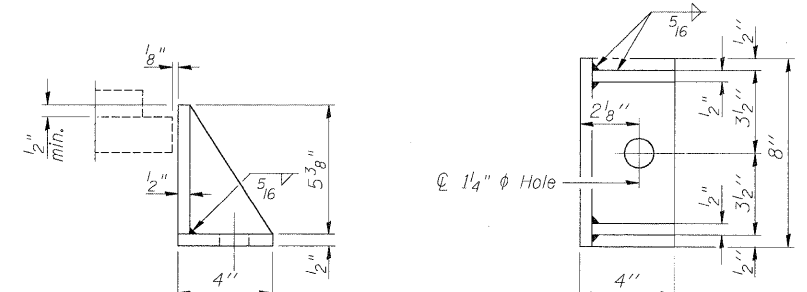


SECTION A-A



BEARING ASSEMBLY

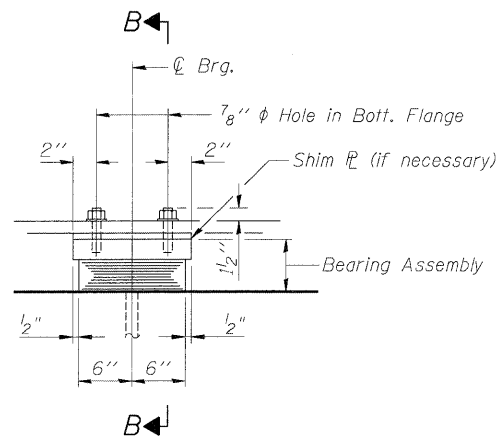
Note: Shim plates shall not be placed under Bearing Assembly.



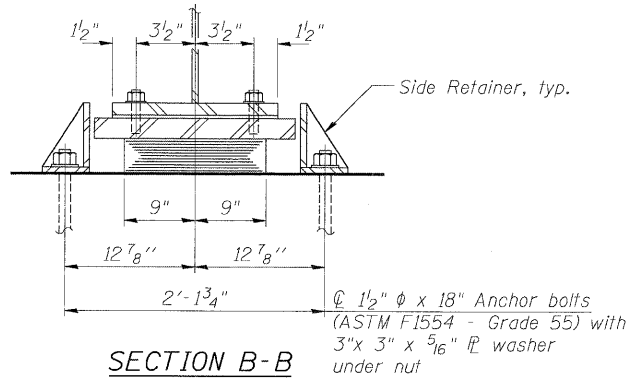
SIDE RETAINER

Equivalent rolled angle with stiffeners will be allowed in lieu of welded plates.

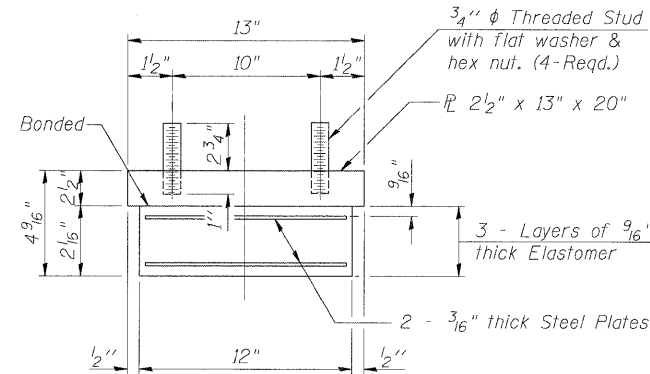
TYPE I ELASTOMERIC EXPANSION BEARING AT WEST ABUTMENT & EAST ABUTMENT



ELEVATION AT PIER 1 & PIER 3

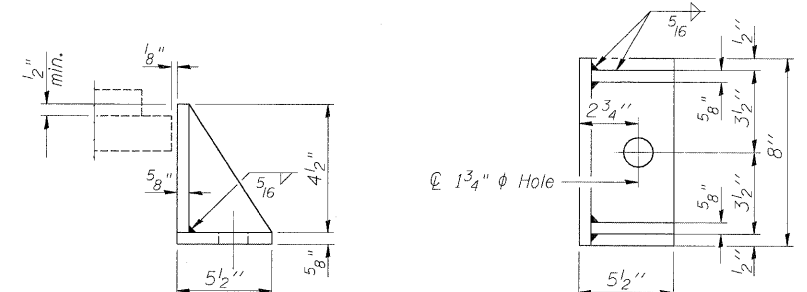


SECTION B-B



BEARING ASSEMBLY

Note: Shim plates shall not be placed under Bearing Assembly.



SIDE RETAINER

Equivalent rolled angle with stiffeners will be allowed in lieu of welded plates.

TYPE I ELASTOMERIC EXPANSION BEARING AT PIER 1 AND PIER 3

Notes:

Two 1/8 in. adjusting shims shall be provided for each bearing in addition to all other plates or shims and placed as shown on bearing details.

Anchor bolts shall be ASTM F1554 Gr 55 all-thread (or an Engineer-approved alternate material) of the grade(s) and diameter(s) specified. The corresponding specified grade of AASHTO M314 anchor bolts may be used in lieu of ASTM F1554.

Anchor bolts at fixed bearings may be either cast in place or installed in holes drilled after the supported member is in place.

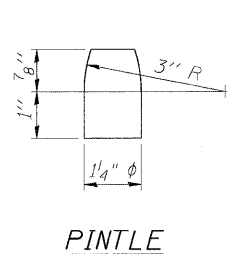
Anchor bolts for side retainers may be cast in place or installed in holes drilled before or after members are in place. Drilled and set anchor bolts shall be installed according to Article 521.06 of the Standard Specifications.

Side retainers and other steel members required for the bearing assembly shall be included in the cost of Elastomeric Bearing Assembly, Type I.

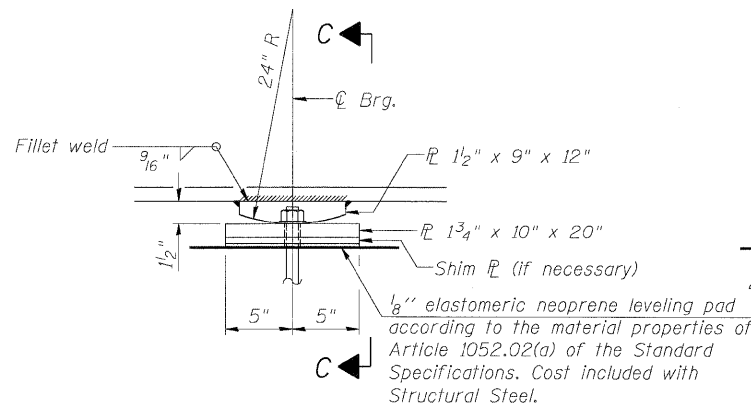
All bearing assembly and pintles shall be AASHTO M270 Gr 50 steel. Furnishing and installing fixed steel bearing assembly, including shim plates and neoprene mats, shall be included in the cost of "Furnishing and Erecting Structural Steel."

BILL OF MATERIAL

Item	Unit	Total
Elastomeric Bearing Assembly Type I	Each	40
Anchor Bolts, 1"	Each	40
Anchor Bolts, 1 1/4"	Each	20
Anchor Bolts, 1 1/2"	Each	40

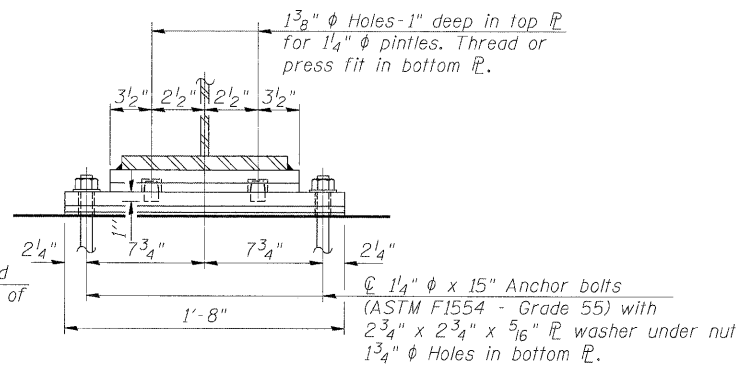


PINTLE



ELEVATION AT PIER 2

FIXED BEARING AT PIER 2  
(10 Required)



SECTION C-C

DESIGNED - DF
CHECKED - TAH
DRAWN - TL
CHECKED - DF

BOWMAN, BARRETT & ASSOCIATES INC.  
CONSULTING ENGINEERS  
Chicago, Illinois  
312.228.0100  
www.bbandainc.com  
Job No. 910

SHEET NO. S-18 S-30 SHEETS	F.A.P RTE. 0353	SECTION 0303.1B-1	COUNTY COOK	TOTAL SHEETS 91	SHEET NO. 63
	SN 016-0275		CONTRACT NO. 60C05		
FED. ROAD DIST. NO.		ILLINOIS FED. AID PROJECT			

BEARING DETAILS  
STRUCTURE NO. 016-0275