

ROUTE	SECTION	COUNTY	TOTAL SHEETS	SHEET NUMBER
VARIOUS	2008-053 BP	VARIOUS	54	4

Contract 60F04

GENERAL NOTES FOR PAINT

CLEANING AND PAINTING OF THE EXISTING STRUCTURAL STEEL SHALL BE AS SPECIFIED IN THE SPECIAL PROVISION FOR "CLEANING AND PAINTING EXISTING STEEL STRUCTURES".

A MINIMUM OF FOUR (4) AIR MONITORS WILL BE REQUIRED TO MONITOR ABRASIVE BLASTING OPERATIONS PER LOCATIONS 3 (SN 056-0049), 4 (SN 049-0012), 6 (SN 022-0022), 8 (SN 016-0133), AND TWO (2) AIR MONITORS PER LOCATIONS 5 (SN 049-0022,-0023), 7 (SN 022-0038), 9 (SN 016-0948), 10 (SN 099-0091), 11 (SN 099-0171), AND 12 (SN 099-0203). SEE SPECIAL PROVISION FOR "CONTAINMENT AND DISPOSAL OF LEAD PAINT CLEANING RESIDUE."

AT LOCATIONS 1 (SN 056-0015) AND 2 (SN 056-0016) CONTAINMENT OF CLEANING RESIDUE IS REQUIRED TO CONTROL NUISANCE DUST. SEE SPECIAL PROVISION FOR "CONTAINMENT AND DISPOSAL OF NON-LEAD PAINT CLEANING RESIDUES".

THE SSPC-QP1 AND SSPC-QP2 PAINTING CONTRACTOR CERTIFICATIONS WILL BE REQUIRED FOR THESE BRIDGES.

THE AREAS DESIGNATED TO BE CLEANED PER NEAR WHITE BLAST CLEANING SSPC-SP10 SHALL BE PAINTED ACCORDING TO THE REQUIREMENTS OF PAINT SYSTEM 1 - OZ/E/U. LOCATIONS 1 (SN 056-0015) & 10 (SN 099-0091): THE COLOR OF THE FINAL FINISH COAT FOR ALL STEEL SURFACES SHALL MATCH THE FEDERAL COLOR STANDARD 595a 20045. ALL OTHER LOCATIONS: THE COLOR OF THE FINAL FINISH COAT FOR ALL INTERIOR STEEL SURFACES SHALL BE GRAY, MUNSELL NO 5B 7/1. THE COLOR OF THE FINAL FINISH COAT FOR THE EXTERIOR AND BOTTOM FLANGE OF THE FASCIA BEAMS SHALL BE REDDISH BROWN, MUNSELL NO 2.5YR 3/4.

ALL ITEMS (SUCH AS, BUT NOT LIMITED TO; CONDUITS, BRACKETS AND DECK DRAINS) ATTACHED TO THE OUTSIDE OF THE FASCIA BEAMS SHOULD BE CLEANED AND PAINTED.

LOCATIONS 2 (SN 056-0016), 3 (SN 056-0049), 4 (SN 049-0012), 5 (SN 049-0022,-0023), 6 (SN 022-0022), 9 (SN 016-0984), 11 (SN 099-0171) AND 12 (SN 099-0203)

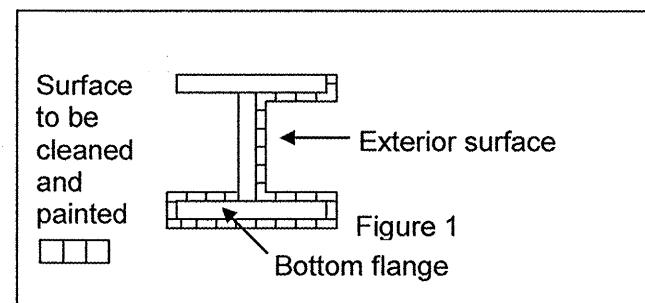
ALL BEAMS, BEARINGS AND OTHER STRUCTURAL STEEL WITHIN FIVE (5) FT., (MEASURED ALONG THE BEAM) OF EITHER SIDE OF THE DECK JOINTS, SHALL BE CLEANED PER NEAR WHITE BLAST CLEANING SSPC-SP10. THE EXTERIOR SURFACES AND TOP AND BOTTOM OF THE BOTTOM FLANGE OF THE FASCIA BEAMS (SEE FIGURE 1) SHALL BE CLEANED PER NEAR WHITE BLAST CLEANING SSPC-SP10.

LOCATION 7 (SN 022-0038)

ALL BEAMS, BEARINGS AND OTHER STRUCTURAL STEEL WITHIN FIVE (5) FT., (MEASURED ALONG THE BEAM) OF EITHER SIDE OF THE DECK JOINTS, SHALL BE CLEANED PER NEAR WHITE BLAST CLEANING SSPC-SP10. THE TOP AND BOTTOM OF THE BOTTOM FLANGE OF ALL BEAMS SHALL BE CLEANED PER NEAR WHITE BLAST CLEANING SSPC-SP10.

LOCATIONS 1 (SN 056-0015) AND 10 (SN 099-0091)

ALL BEARINGS AND OTHER STRUCTURAL STEEL WITHIN FIVE (5) FT., (MEASURED ALONG THE BEAM) OF EITHER SIDE OF THE DECK JOINTS, SHALL BE CLEANED PER NEAR WHITE BLAST CLEANING SSPC-SP10.



**FASCIA BEAM PAINTING DETAIL
FIGURE 1**

SHEET 1 OF 2

ILLINOIS DEPARTMENT OF TRANSPORTATION

GENERAL PAINT NOTES