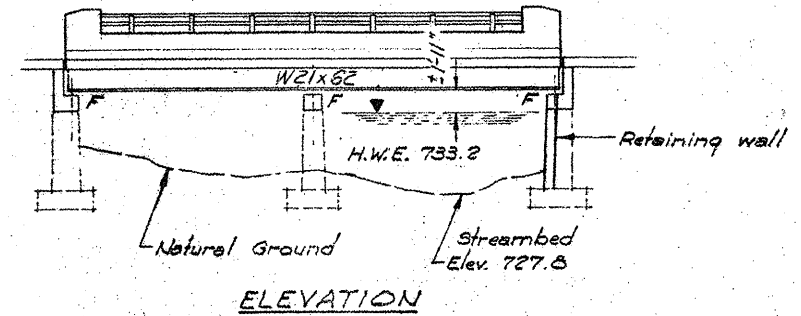


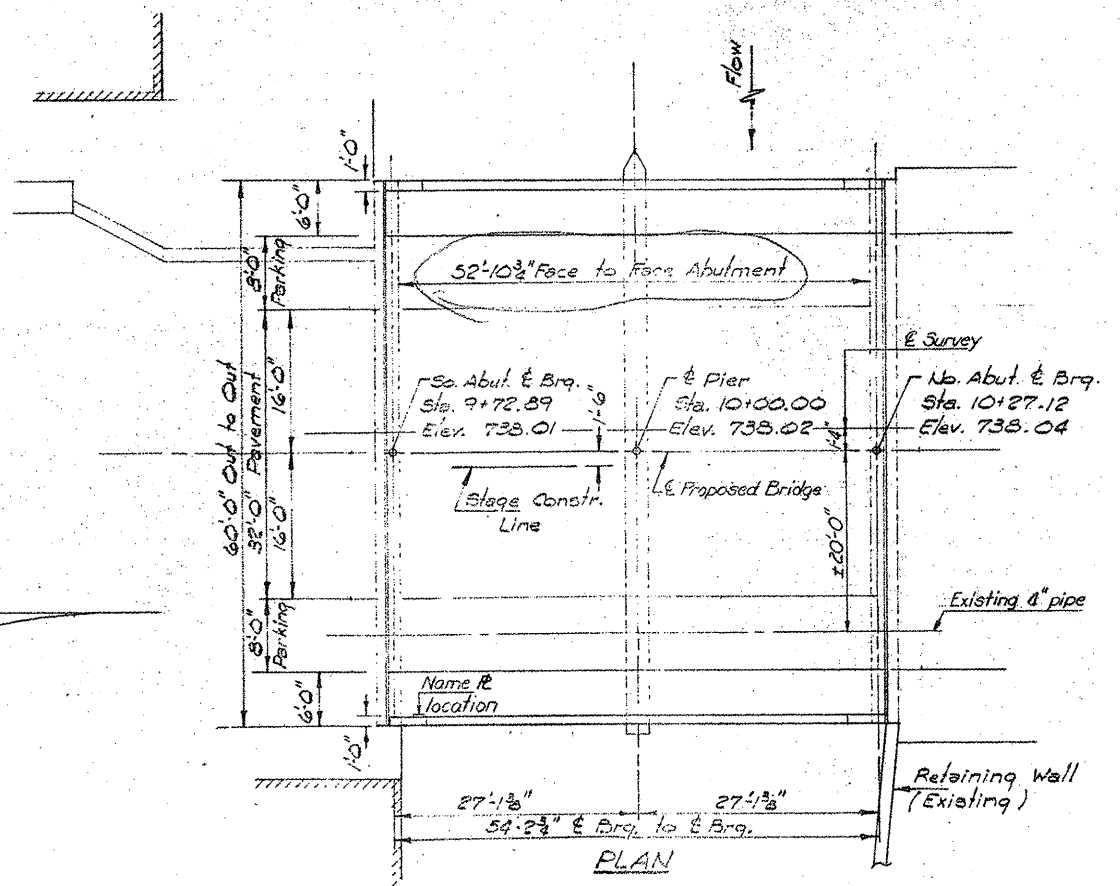
★ PAGE 18 WAS DELETED ★

ROUTE	SECTION	COUNTY	TOTAL SHEETS	SHEET NUMBER
VARIOUS	2008-053 BP	VARIOUS	54	19

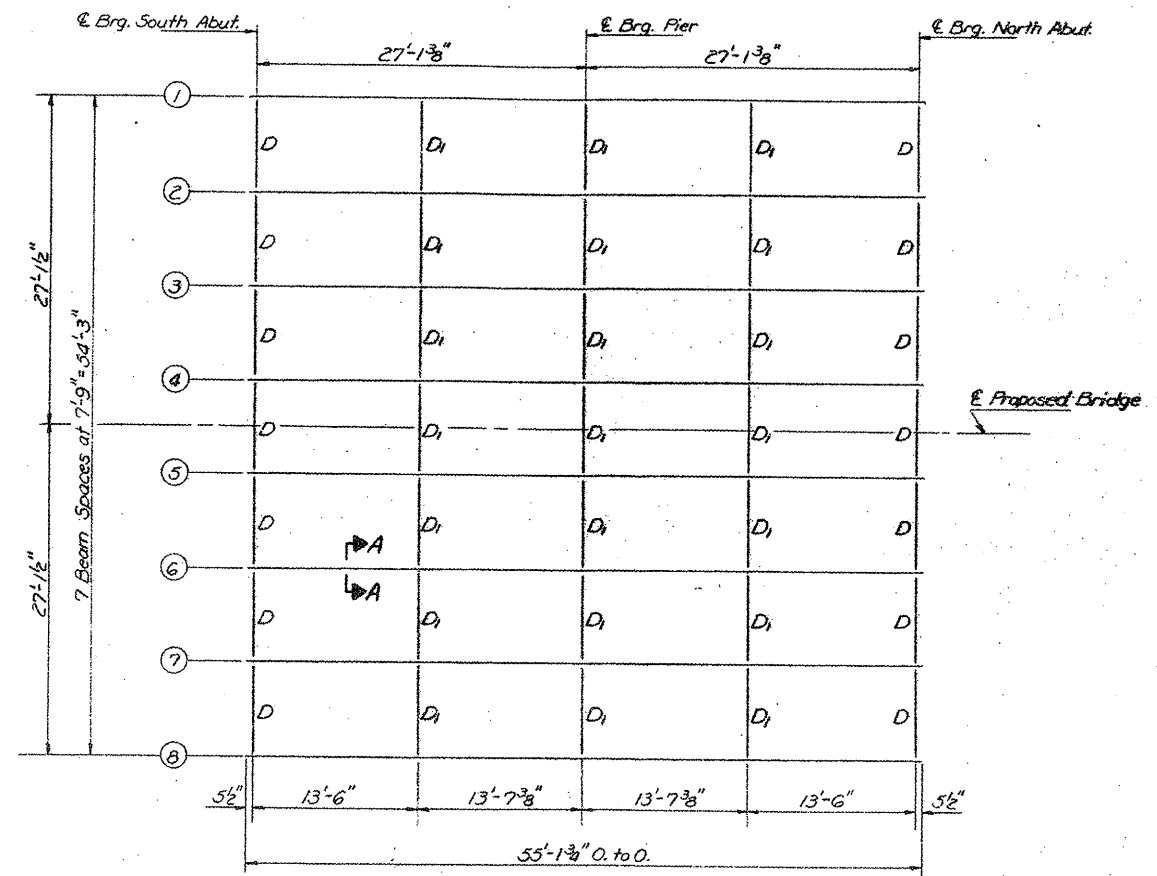
CONTRACT NO. 60F04



ELEVATION

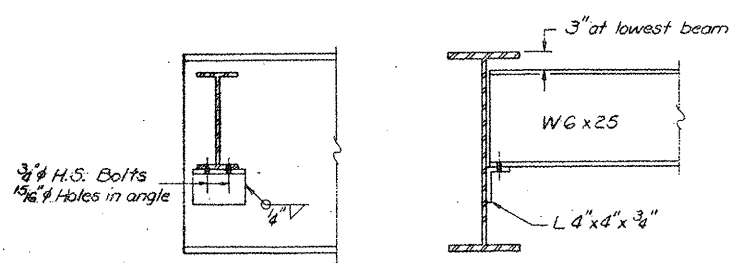


PLAN

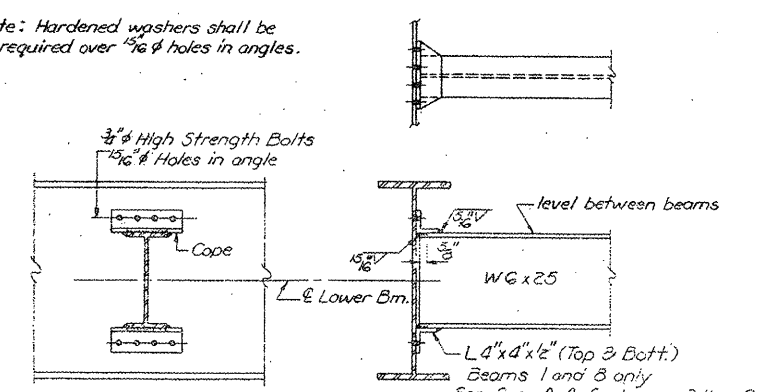


FRAMING PLAN  
All beams W21x62

Note: Hardened washers shall be required over 1/8" holes in angles.



DIAPHRAGM D  
14 Required



DIAPHRAGM D1  
21 Required

SHEET 1 OF 1

**LOCATION NO. 1**  
**EXIST. BRIDGE PLANS**  
**IL 31 OVER CRYSTAL LAKE**  
**OVERFLOW SN 056-0015**