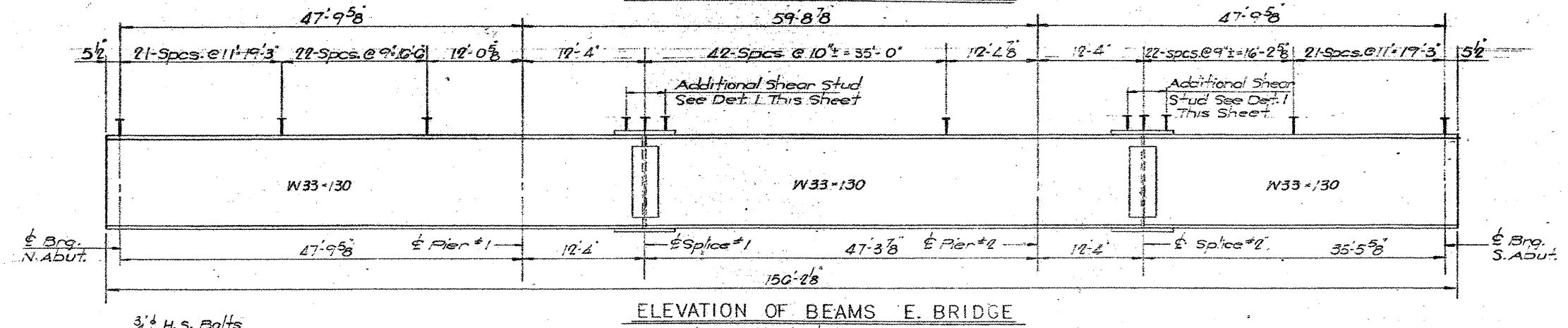
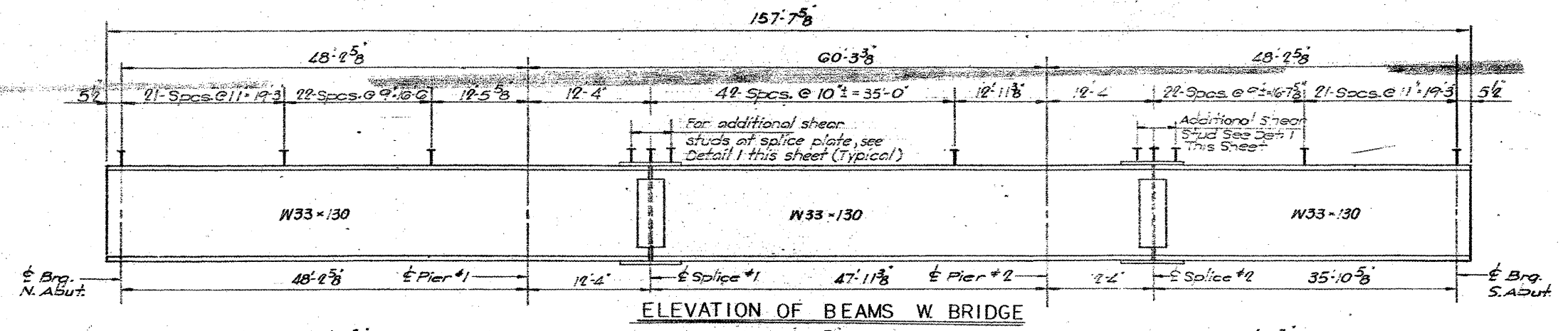
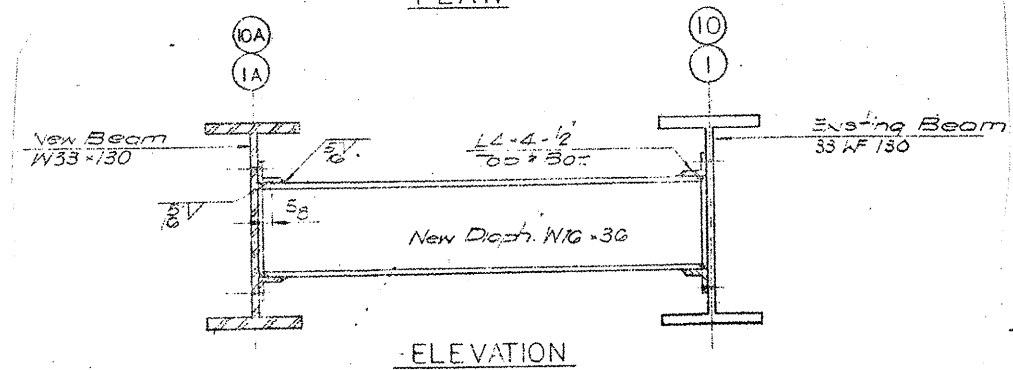
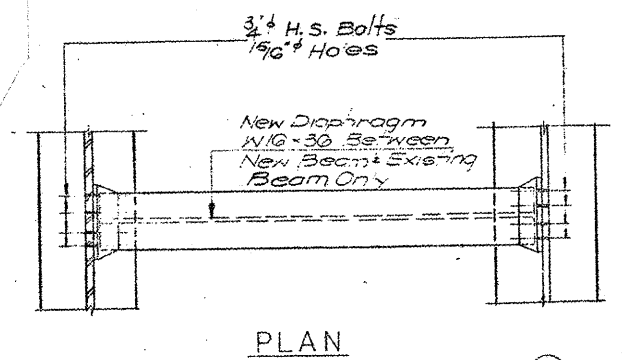


ROUTE	SECTION	COUNTY	TOTAL SHEETS	SHEET NUMBER
VARIOUS	2008-053 BP	VARIOUS	54	29

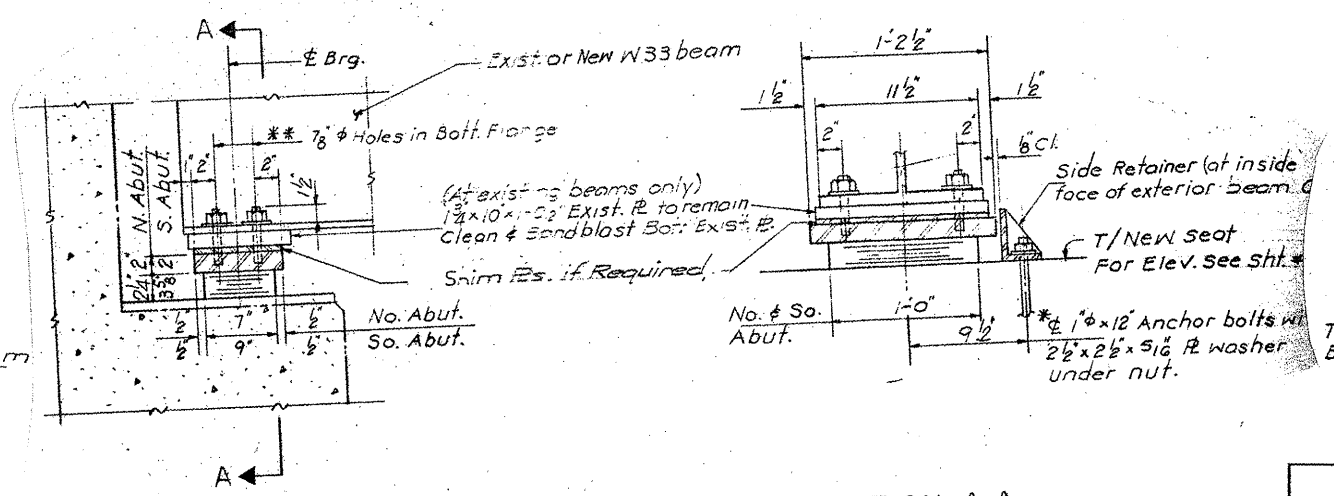
CONTRACT NO. 60F04



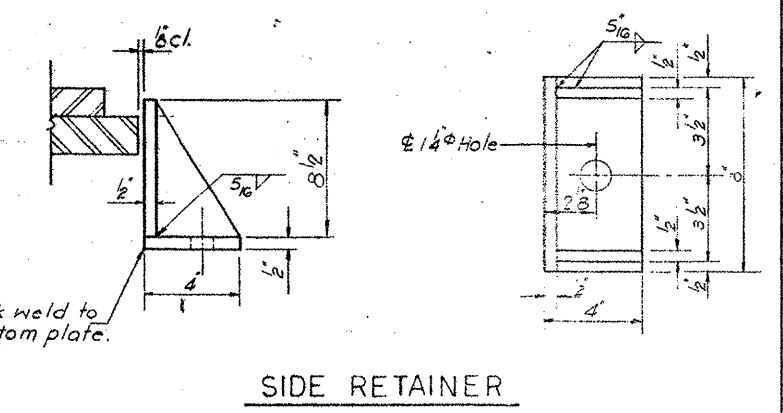
**ELEVATION OF BEAMS E BRIDGE**  
 Note: Shear Studs to be Provided on All New and Existing Girders



INTERIOR DIAPHRAGM DETAILS "DI"



SECTION AT ABUTMENTS  
 TYPE I ELASTOMERIC EXP. BRGS.  
 AT NC. ABUT. & SO. ABUT.



**LOCATION NO. 5**

**EXIST. BRIDGE PLANS**  
**US 12 NB & SB OVER IL 176**  
**SN'S 049-0022, 049-0023**