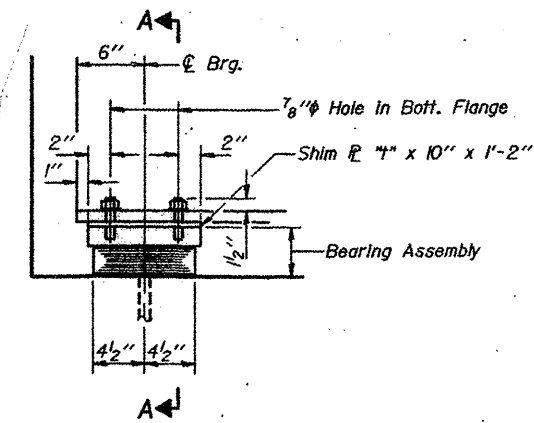
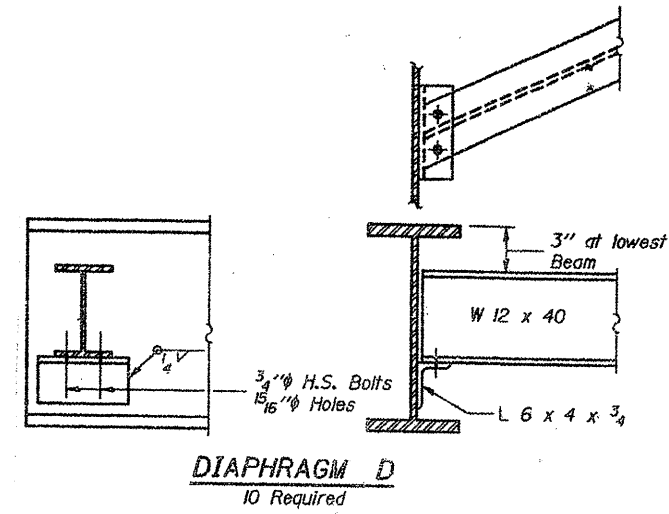
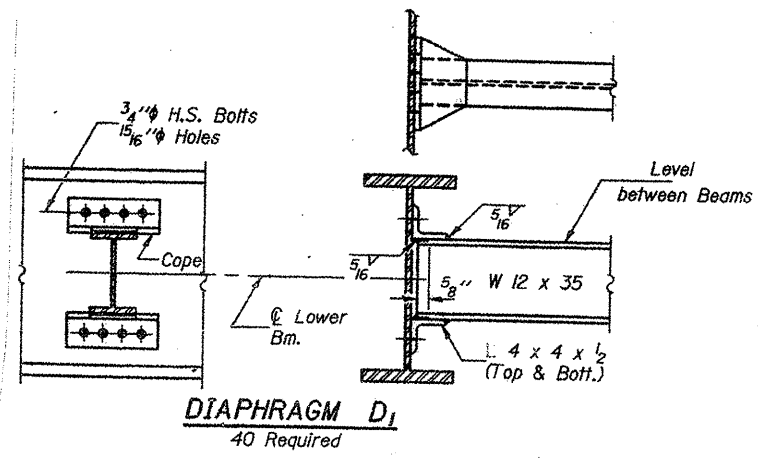
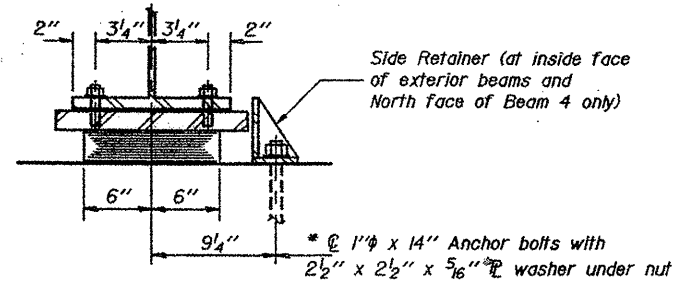


ROUTE	SECTION	COUNTY	TOTAL SHEETS	SHEET NUMBER
VARIOUS	2008-053 BP	VARIOUS	54	44

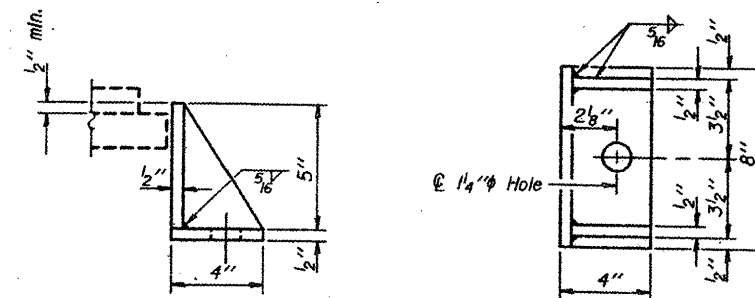
CONTRACT NO. 60F04



ELEVATION AT ABUTS.



SECTION A-A



SIDE RETAINER

Equivalent rolled angle with stiffeners will be allowed in lieu of welded plates.

TYPE I ELASTOMERIC EXP. BRG.

**LOCATION NO. 9**  
**EXIST. BRIDGE PLANS**  
**IL 19 OVER EJ&E RR**  
**SN 016-0948**