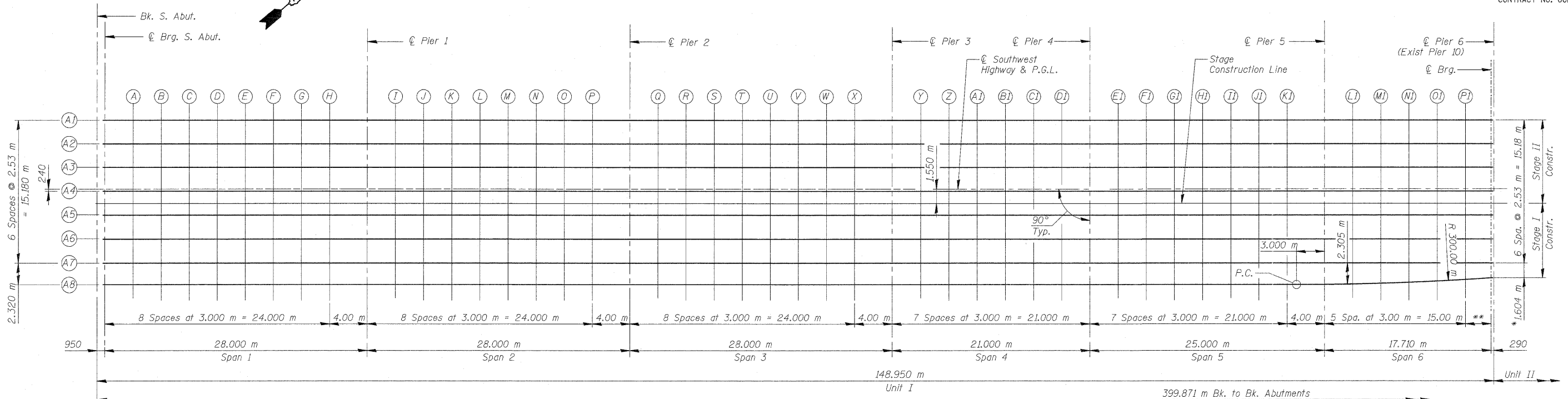
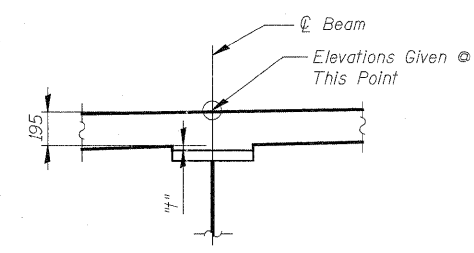
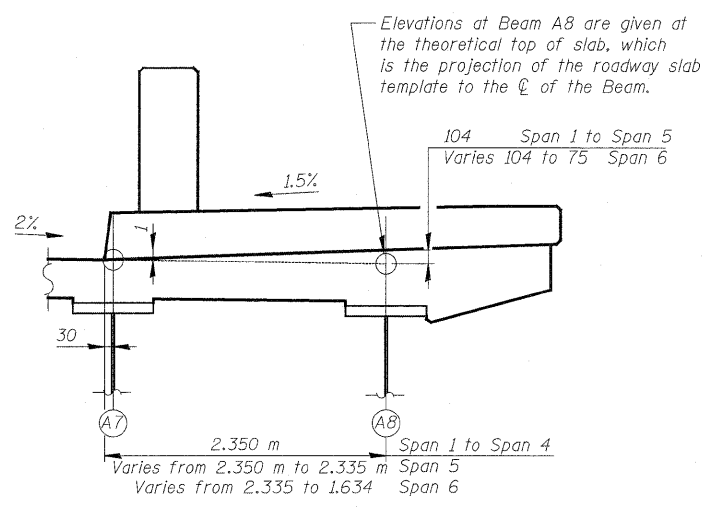
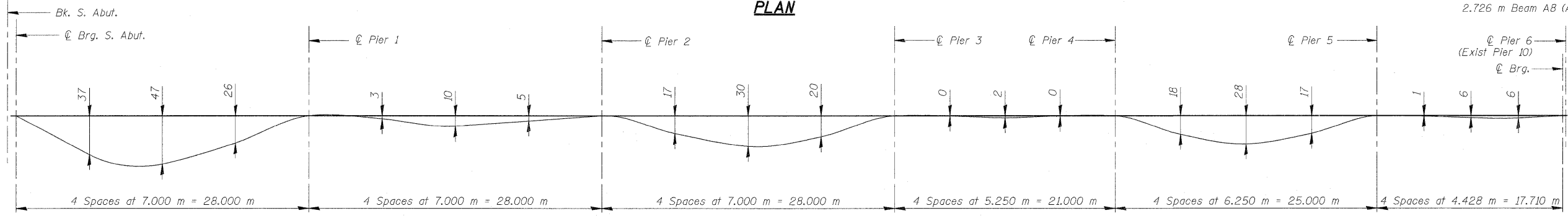


F.A.U. RTE.	SECTION	COUNTY	TOTAL SHEETS	SHEET NO.
3578	15 VB-1-F	COOK	62	7
STA.		TO STA.		
FED. ROAD DIST. NO.		ILLINOIS FED. AID PROJECT		
CONTRACT NO. 60H54				



\* Measured along  $\bar{C}$  Brg.  
 \*\* 2.710 m Beams A1 to A7 (Along Beam)  
 2.726 m Beam A8 (Along Beam)



REVISIONS	
NAME	DATE

**ILLINOIS DEPARTMENT OF TRANSPORTATION**  
**TOP OF SLAB ELEVATIONS - UNIT I - A**  
 SOUTHWEST HIGHWAY OVER  
 B&O RAILROAD AND STONY CREEK  
 FAU 3578 SECTION 15 VB-1-F  
 STRUCTURE NUMBER 016-2771  
 COOK COUNTY STATION 4+716.497

SCALE: NONE DRAWN BY: E. Mroozek  
 DATE: MAY 22, 2009 CHECKED BY: G. Hatstead

q:\dot\9556\_a0\drawings\structure\fabrification-plans\09\_FAB\_Top slab Elev UNIT I.dgn  
 +koeppen\fdwy\_Lisie) 5/22/2009 4:26:15 PM