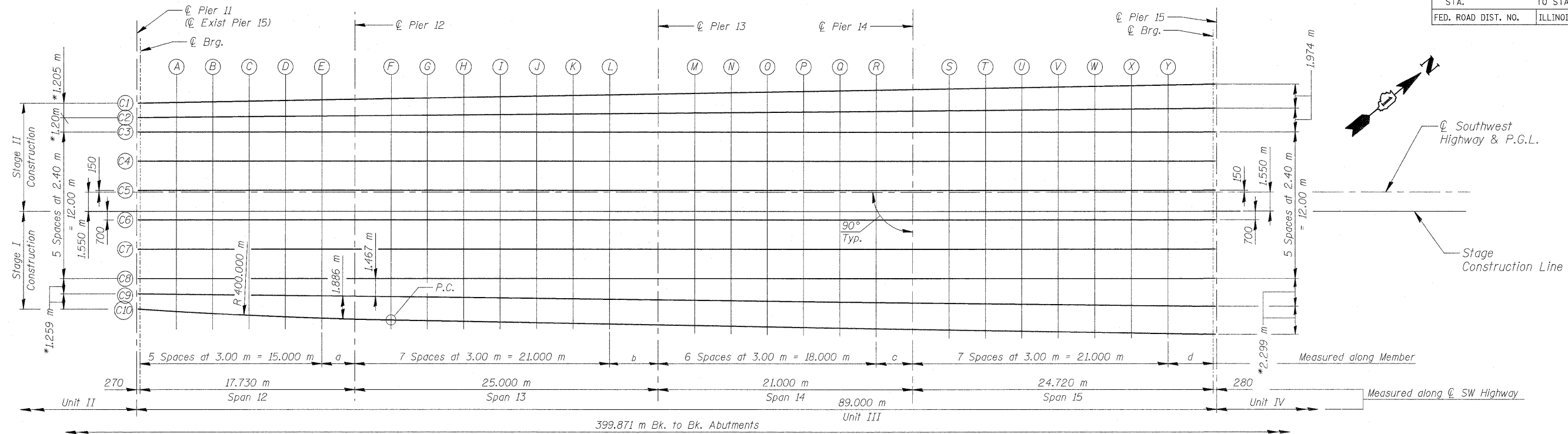


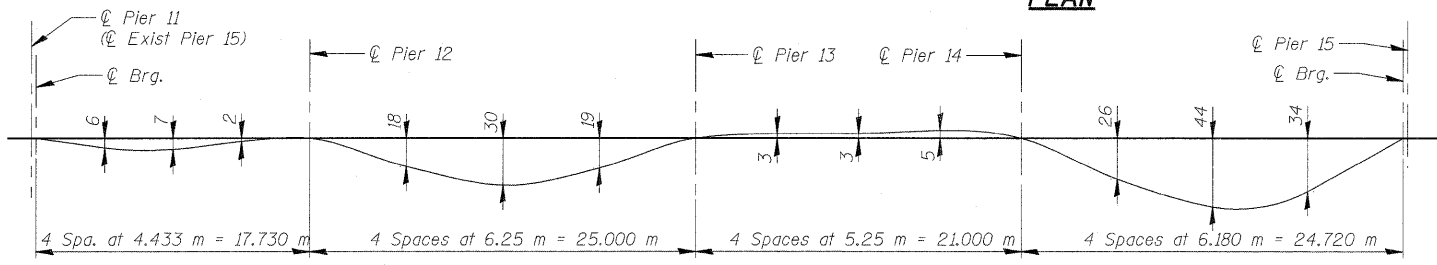
F.A.U. RTE.	SECTION	COUNTY	TOTAL SHEETS	SHEET NO.
3578	15 VB-1-F	COOK	62	11
STA.		TO STA.		
FED. ROAD DIST. NO.		ILLINOIS	FED. AID PROJECT	
		CONTRACT NO. 60H54		



399.871 m Bk. to Bk. Abutments

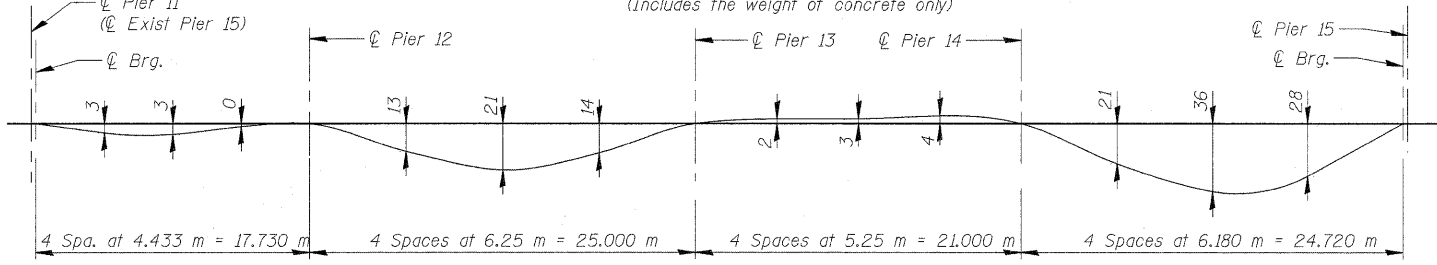
PLAN

Line	a (m)	b (m)	c (m)	d (m)
C1	2.733	4.004	3.003	3.724
C2	2.731	4.001	3.001	3.721
C3 TO C8	2.730	4.000	3.000	3.720
PGL	2.730	4.000	3.000	3.720
Stage Constr. Line	2.730	4.000	3.000	3.720
C9	2.731	4.002	3.001	3.722
C10	2.752	4.004	3.003	3.724



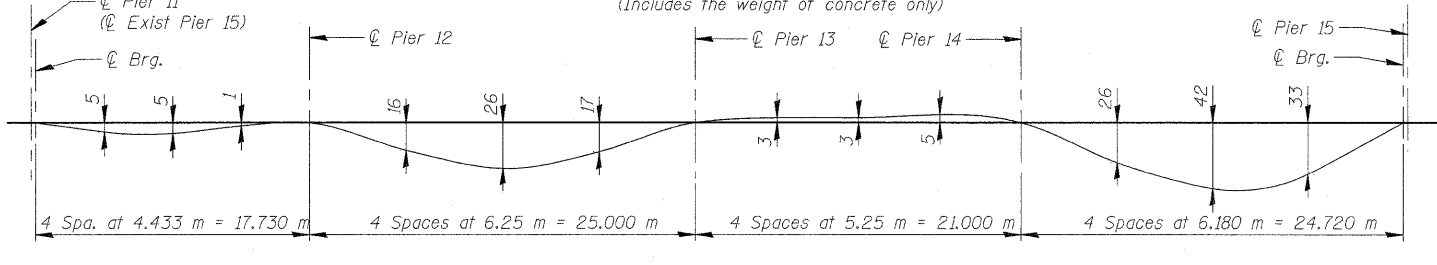
DEAD LOAD DEFLECTION DIAGRAM - BEAMS C4 to C7

(Includes the weight of concrete only)



DEAD LOAD DEFLECTION DIAGRAM - BEAMS C1, C2 & C10

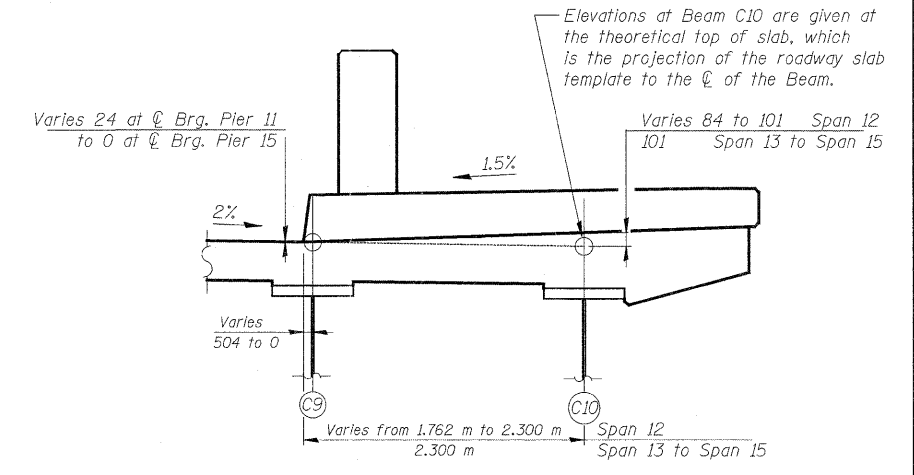
(Includes the weight of concrete only)



DEAD LOAD DEFLECTION DIAGRAM - BEAMS C3, C8 & C9

(Includes the weight of concrete only)

Note: The above deflections are not to be used in the field if the Engineer is working from the Theoretical Grade Elevations Adjusted for Dead Load Deflections as shown on sheets SA14 thru SA15.



LOCATION OF ELEVATIONS AT FASCIA BEAM

NOTES

- See Sheet SA9 for fillet height detail
- All dimensions are in millimeters (mm) except as noted.

REVISIONS	
NAME	DATE

ILLINOIS DEPARTMENT OF TRANSPORTATION
TOP OF SLAB ELEVATIONS - UNIT III-A
 SOUTHWEST HIGHWAY OVER
 B&O RAILROAD AND STONY CREEK
 FAU 3578 SECTION 15 VB-1-F
 STRUCTURE NUMBER 016-2771
 COOK COUNTY STATION 4+716.497
 SCALE: NONE DRAWN BY: E. Mroozek
 DATE: MAY 22, 2009 CHECKED BY: G. Hatlestad

FOR INFORMATION ONLY

+koeppen(fdw)_L(isie) 5/22/2009 4:27:19 PM c:\dot\9556_a0\drawings\struct\fabr\fac\plans\15\FAB_Top_slab_ElevUnit_III.A.dgn

