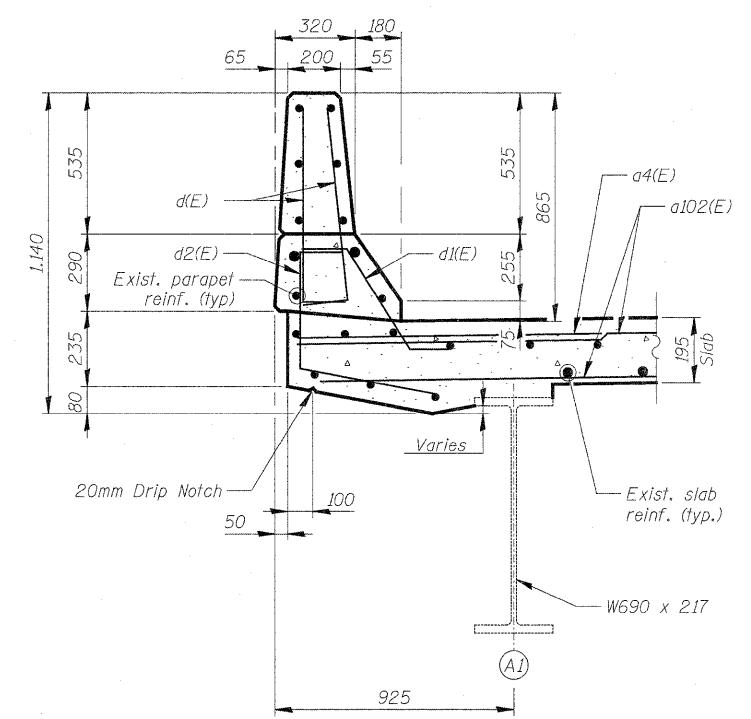
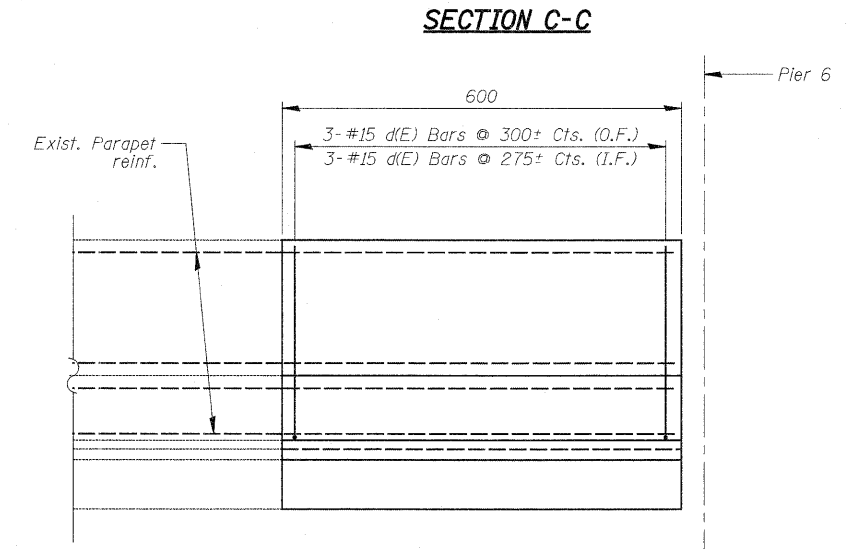
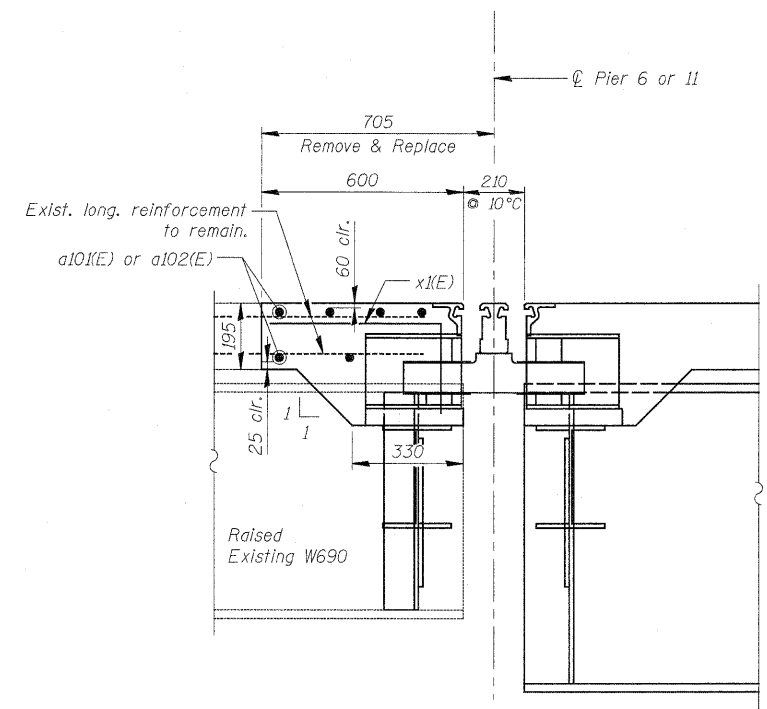
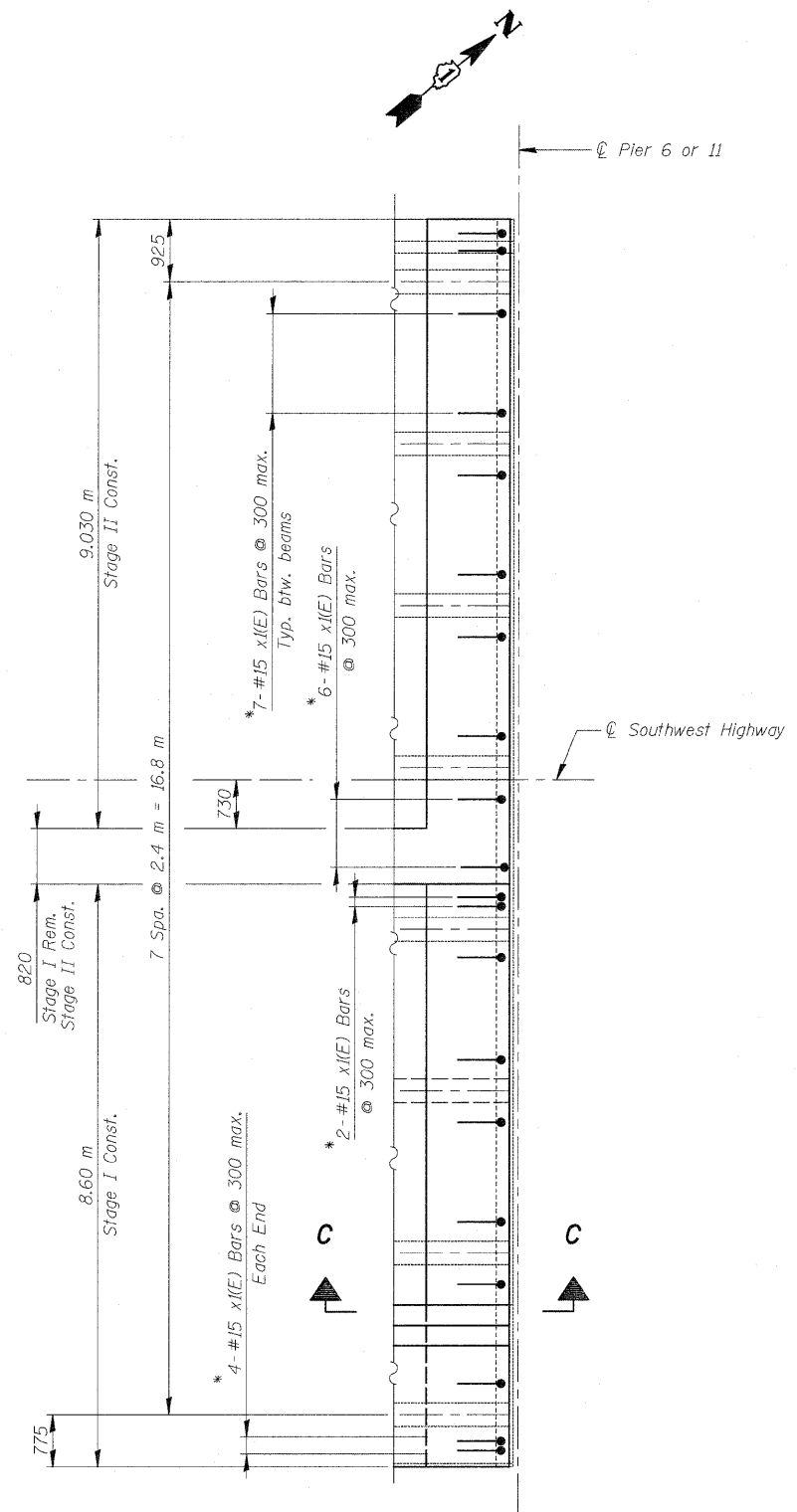


F.A.U. RTE.	SECTION	COUNTY	TOTAL SHEETS	SHEET NO.
3578	15 VB-1-F	COOK	62	22
STA.		TO STA.		
FED. ROAD DIST. NO.		ILLINOIS FED. AID PROJECT		
CONTRACT NO. 60H54				



**END DIAPHRAGM**

**NOTES**

1. All dimensions are in millimeters (mm) except as noted.

REVISIONS	
NAME	DATE

**ILLINOIS DEPARTMENT OF TRANSPORTATION**  
**SUPERSTRUCTURE DETAILS - UNIT II-A**  
**SOUTHWEST HIGHWAY OVER**  
**B&O RAILROAD AND STONY CREEK**  
 FAU 3578 SECTION 15 VB-1-F  
 STRUCTURE NUMBER 016-2771  
 COOK COUNTY STATION 4+716.497  
 SCALE: NONE DRAWN BY: A. Durbak  
 DATE: MAY 22, 2009 CHECKED BY: A. Yargiooglu

FOR INFORMATION ONLY

q:\dot\9556\_a0\drawings\struct\Fabrication\plans\23A\_FAB\_Deck\_Details\_UNIT II\_A.dgn  
 koeppen(Rdwy\_Lisle) 5/22/2009 4:30:01 PM

