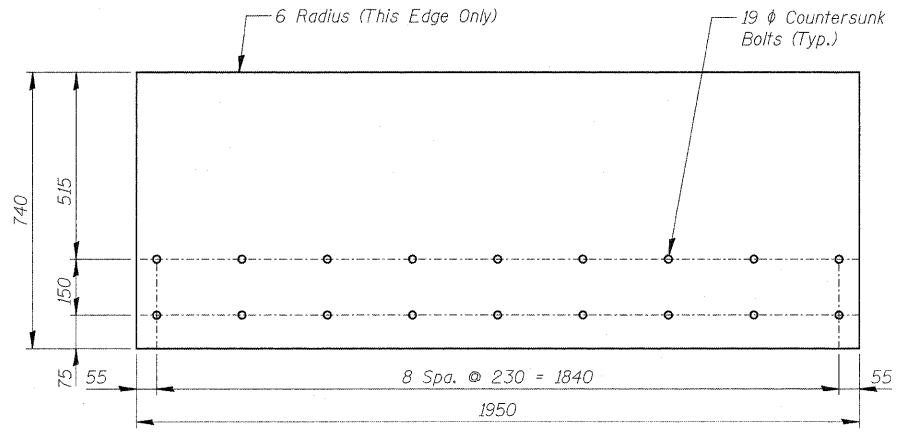
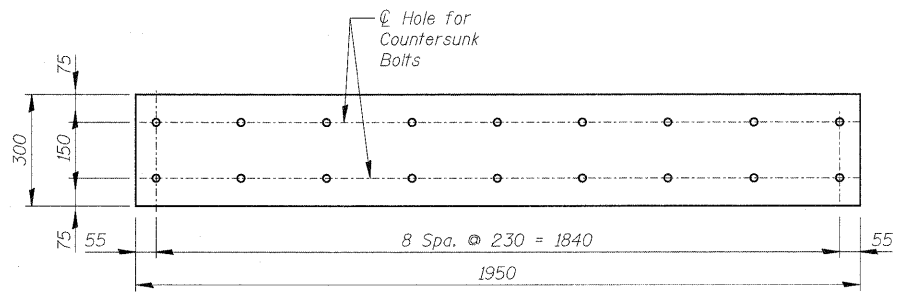


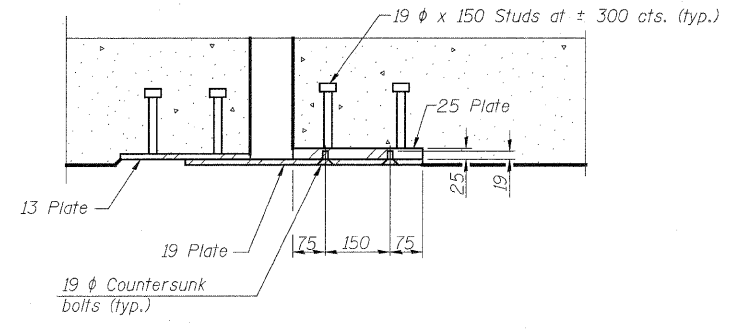
F.A.U. RTE.	SECTION	COUNTY	TOTAL SHEETS	SHEET NO.
3578	15 VB-1-F	COOK	62	31
STA.		TO STA.		
FED. ROAD DIST. NO.	ILLINOIS	FED. AID PROJECT		
CONTRACT NO. 60H54				



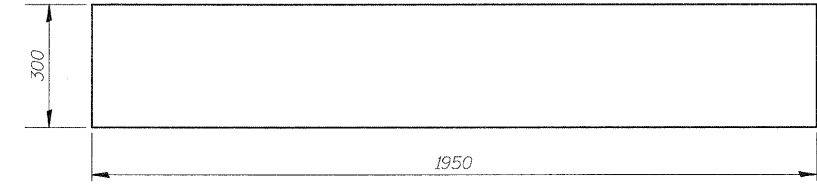
19 mm OUTER SIDEWALK SLIDING PL



25 mm INNER SIDEWALK SLIDING PL

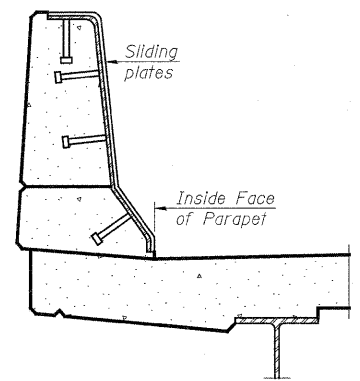


SECTION THRU SLIDING PLATES

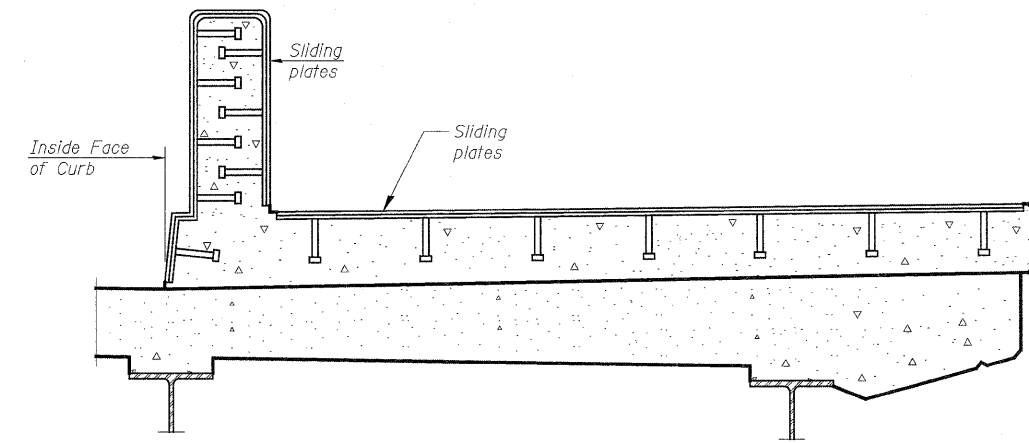


13 mm INNER SIDEWALK SLIDING PL

(Studs not shown)



SECTION THRU BARRIER



SECTION THRU SIDEWALK

REVISIONS	
NAME	DATE

ILLINOIS DEPARTMENT OF TRANSPORTATION
 MODULAR EXPANSION JOINT III
 SOUTHWEST HIGHWAY OVER
 B&O RAILROAD AND STONY CREEK
 FAU 3578 SECTION 15 VB-1-F
 STRUCTURE NUMBER 016-2771
 COOK COUNTY STATION 4+716.497
 SCALE: NONE DRAWN BY: R. DiGiulio
 DATE: MAY 22, 2009 CHECKED BY: A. Durbak

hkoepfen(rdw, Lisle) 5/22/2009 4:34:46 PM c:\dot\9556...a0\drawings\struct\fabrication_plans\30B_FAB_exp_joint.dgn



FOR INFORMATION ONLY