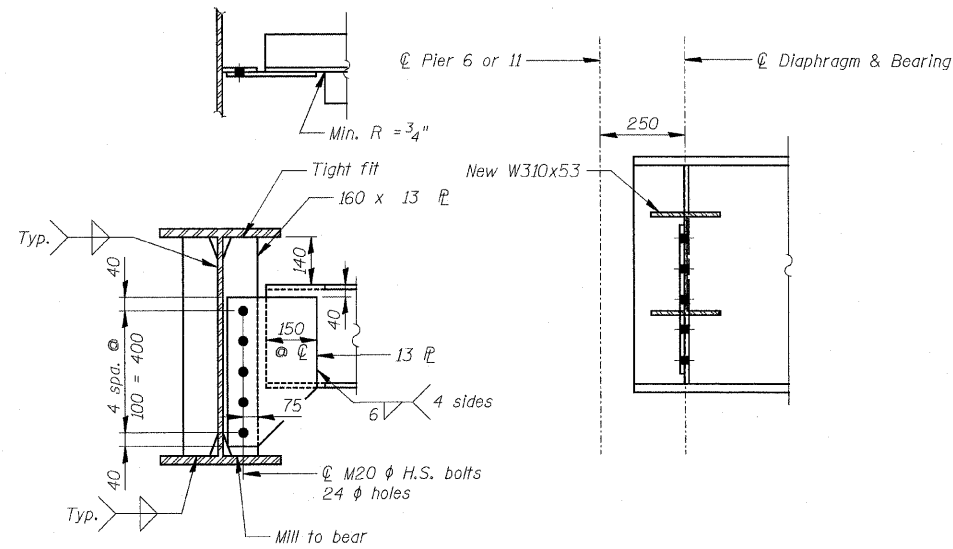
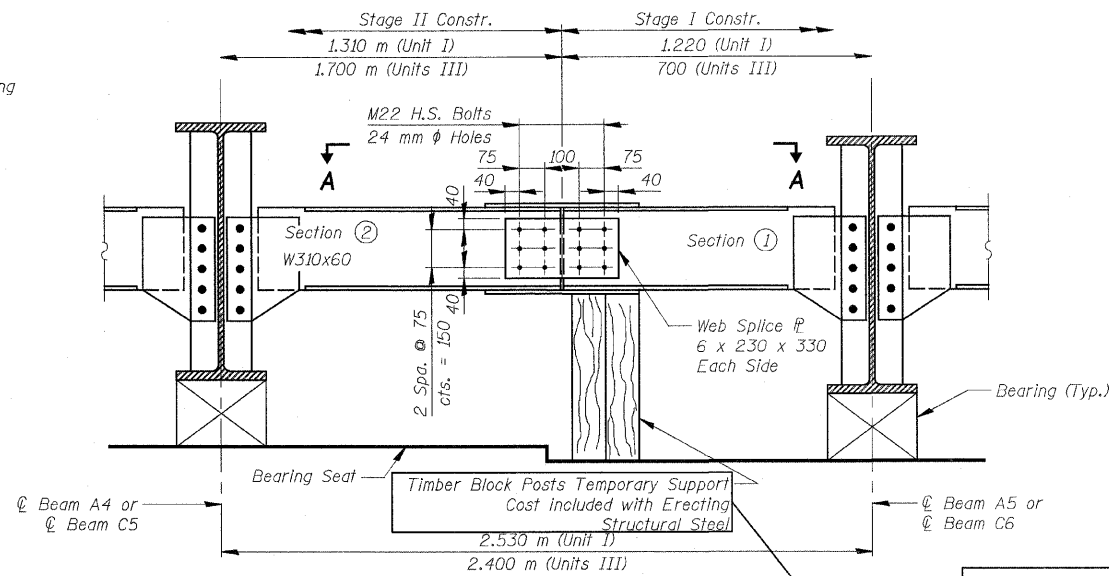


F.A.J. RTE.	SECTION	COUNTY	TOTAL SHEETS	SHEET NO.
3578	15 VB-1-F	COOK	62	35
STA.		TO STA.		
FED. ROAD DIST. NO.		ILLINOIS FED. AID PROJECT		
CONTRACT NO. 60H54				



END DIAPHRAGMS D1B, D5, D7B, D8 & D9

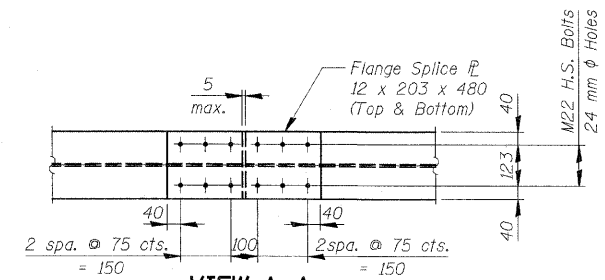
- D1A - 5 Required
- D5 - 1 Required
- D7B - 4 Required
- D8 - 2 Required
- D9 - 2 Required



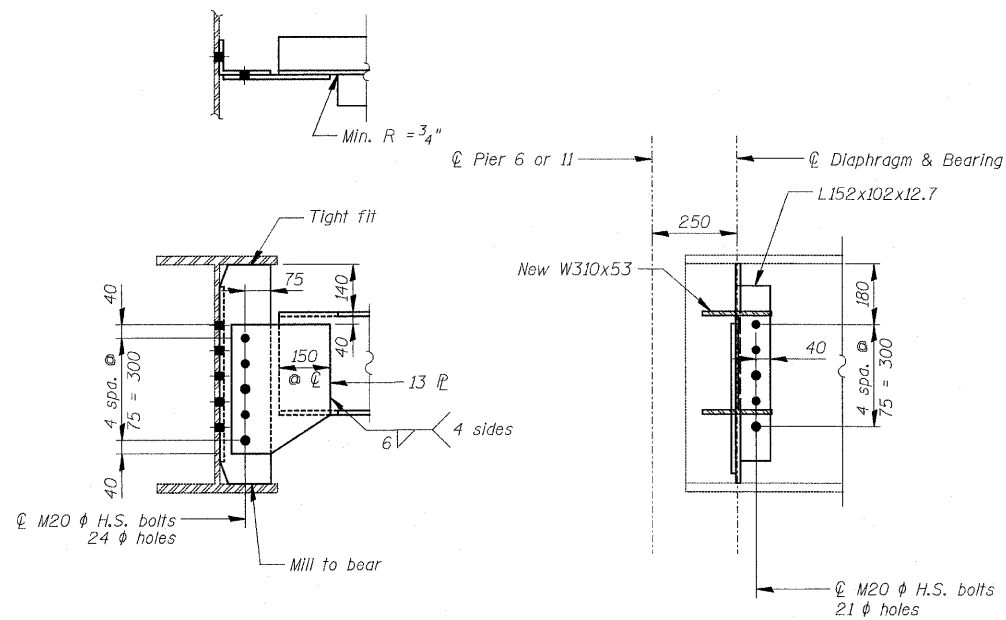
DIAPHRAGMS DIC & DTC

- 1 Required (Looking East)
- For details of connections to beams see Diaphragms D1B & D7B

NOT INCLUDED IN THIS CONTRACT

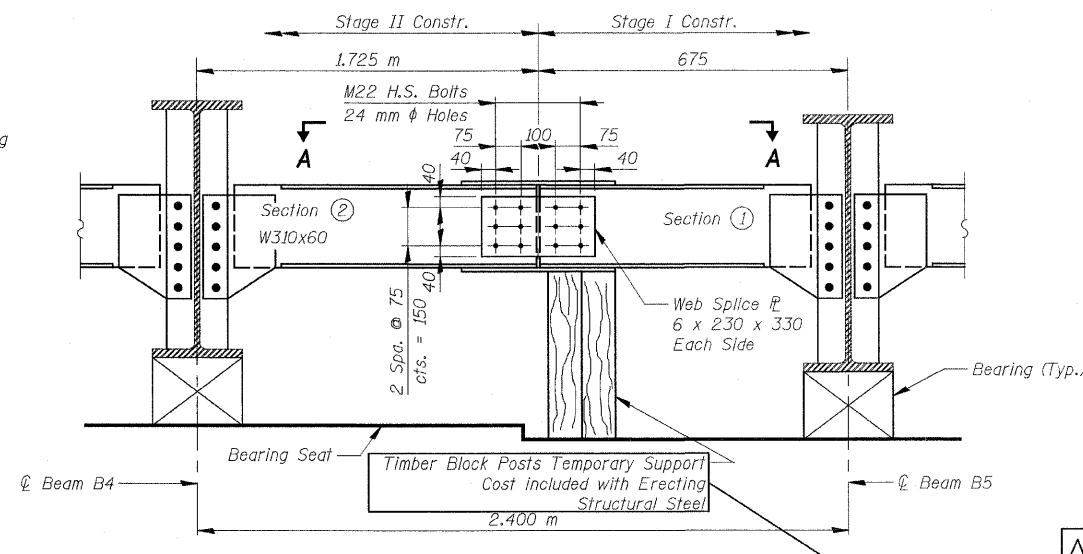


VIEW A-A



END DIAPHRAGMS - UNIT II

- 12 Required



DIAPHRAGMS - UNIT II BTW. GIRDERS B4 & B5

- 2 Required (Looking East)

NOT INCLUDED IN THIS CONTRACT

NOTES:

1. All dimensions are in millimeters (mm) except as noted.
2. For mounting new end diaphragms to existing structure, burrs, shavings, loose paint and scale and other non-adherent material in the contract areas shall be removed before field bolting.
3. Two hardened washers required over all oversized holes for diaphragms.

REVISIONS	
NAME	DATE

ILLINOIS DEPARTMENT OF TRANSPORTATION
END DIAPHRAGMS AT MODULAR JNTS.
 SOUTHWEST HIGHWAY OVER
 B&O RAILROAD AND STONY CREEK
 FAU 3578 SECTION 15 VB-1-F
 STRUCTURE NUMBER 016-2771
 COOK COUNTY STATION 4+716.497
 SCALE: NONE DRAWN BY: E. Mroozek
 DATE: MAY 22, 2009 CHECKED BY: G. Hattestad

q:\1dot\9556_a0\drawings\structure\fabrication\plans\35A_FAB_fr-aming_end-diaphragms.dgn
 jvermillion(rdw-Lisie) 5/29/2009 11:25 PM

