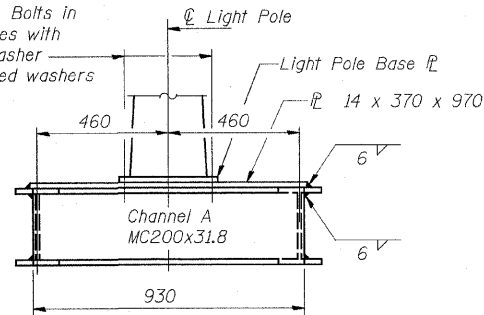
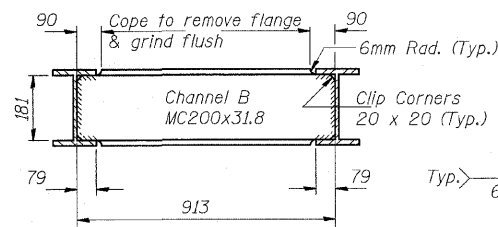


F.A.U. RTE.	SECTION	COUNTY	TOTAL SHEETS NO.
3578	15 VB-1-F	COOK	62
STA.		TO STA.	
FED. ROAD DIST. NO.		ILLINOIS FED. AID PROJECT	
CONTRACT NO. 60H54			

\*\* M24 H.S. Bolts in 30mm  $\phi$  Holes with 1 beveled washer & 2 hardened washers per bolt.



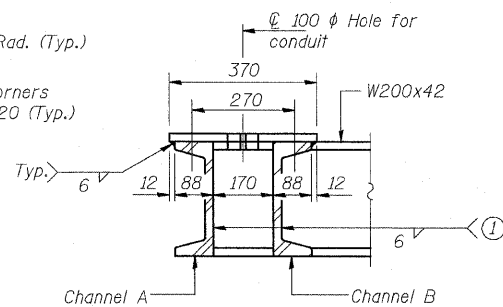
**VIEW A-A**



**VIEW B-B**

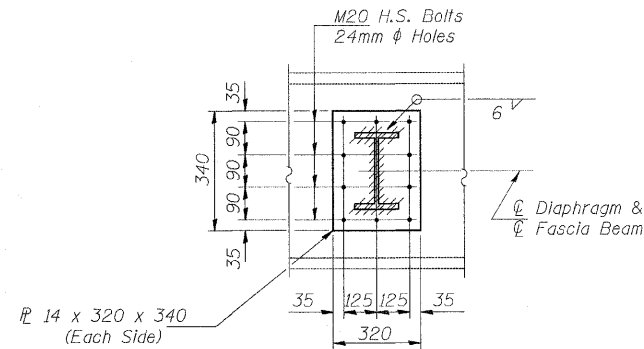
\*\* If pole base has larger holes, provide bushings and plate washers to cover.

① Weld Channels A & B to web and inside faces of flange of diaphragms one side only.

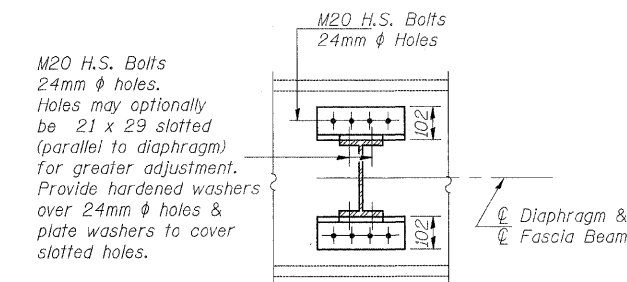


**SECTION D-D**

(Light Pole Base  $\phi$  Omitted)

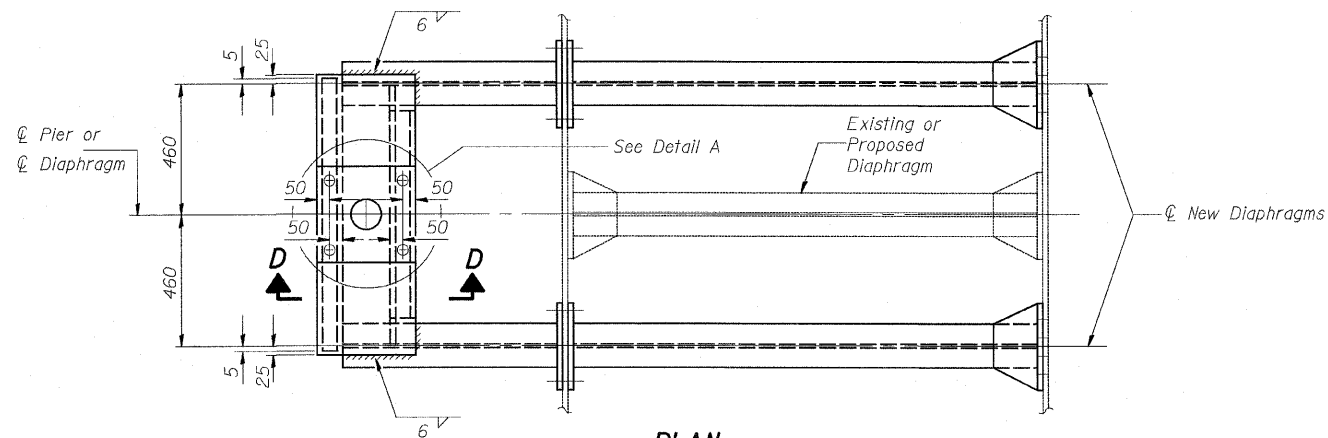


**VIEW C-C**

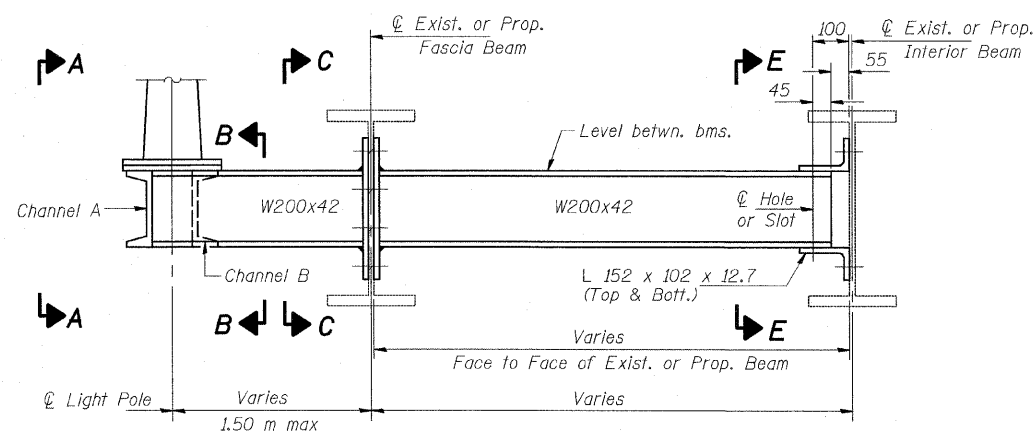


**VIEW E-E**

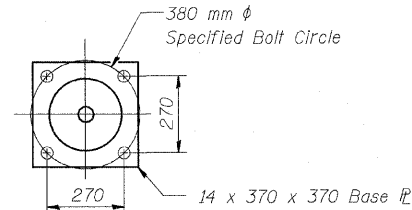
M20 H.S. Bolts 24mm  $\phi$  holes. Holes may optionally be 21 x 29 slotted (parallel to diaphragm) for greater adjustment. Provide hardened washers over 24mm  $\phi$  holes & plate washers to cover slotted holes.



**PLAN**



**ELEVATION**



**DETAIL A**

**NOTES**

1. All dimensions are in millimeters (mm) except as noted.
2. For mounting to existing structures, burrs, shavings, loose paint and scale and other non adherent material in the contract areas shall be removed before field bolting.
3. All new structural steel shall be hot dip galvanized per AASHTO M111 after fabrication. Bolts shall be hot dip galvanized per AASHTO M232.
4. Cost of erecting lighting support is included with Erecting Structural Steel.
5. Cost of furnishing lighting support is included with Furnishing Structural Steel.

NOT INCLUDED IN THIS CONTRACT

REVISIONS	
NAME	DATE

**ILLINOIS DEPARTMENT OF TRANSPORTATION**  
**LIGHTING SUPPORT BRACKET DETAILS**  
 SOUTHWEST HIGHWAY OVER  
 B&O RAILROAD AND STONY CREEK  
 FAU 3578 SECTION 15 VB-1-F  
 STRUCTURE NUMBER 016-2771  
 COOK COUNTY STATION 4+716.497  
 SCALE: NONE DRAWN BY: E. Mroozek  
 DATE: MAY 22, 2009 CHECKED BY: A. Yargiooglu