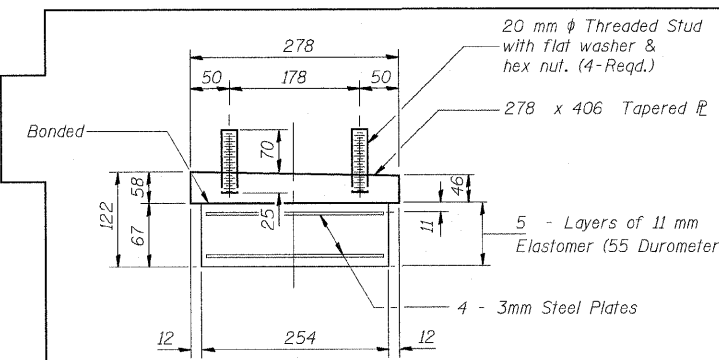
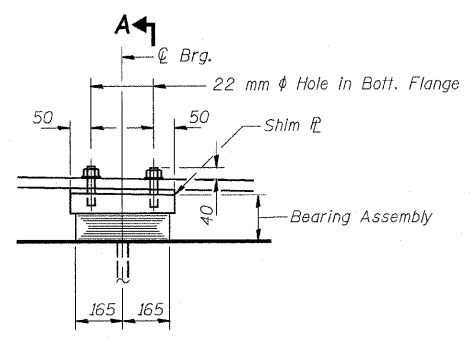


F.A.U. RTE.	SECTION	COUNTY	TOTAL SHEETS	SHEET NO.
3578	15 VB-1-F	COOK	62	45
STA.	TO STA.			
FED. ROAD DIST. NO.	ILLINOIS	FED. AID PROJECT		
		CONTRACT NO. 60H54		

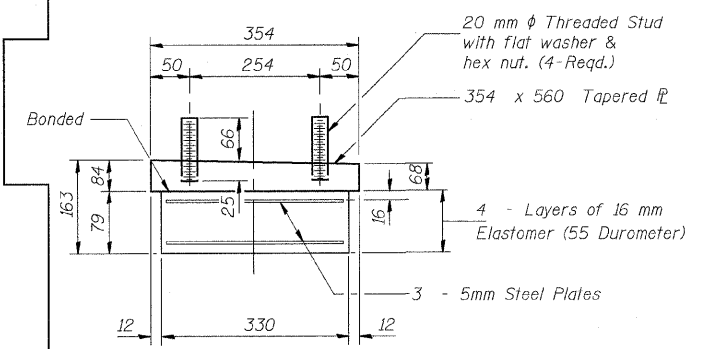


BEARING ASSEMBLY AT PIER 15
(UNIT IV)

Notes: Shim plates shall not be placed under Bearing Assembly.
See Sheet SA44 for Elevation at Pier 15.



ELEVATION AT PIER 17
TYPE I ELASTOMERIC EXP. BRG.

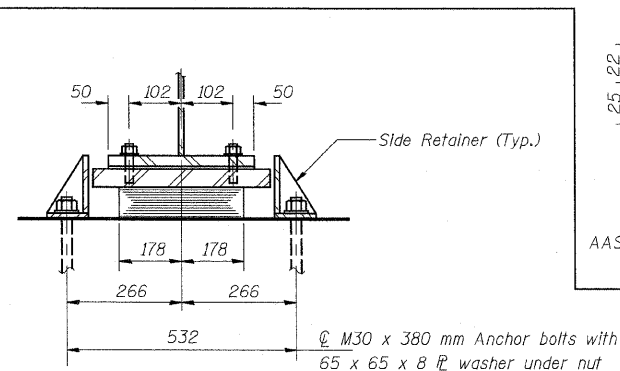


BEARING ASSEMBLY

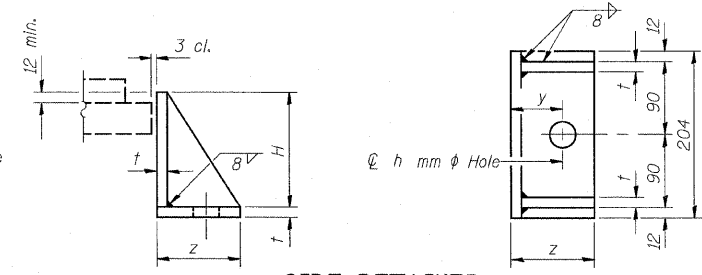
Note: Shim plates shall not be placed under Bearing Assembly.

Note: The 3 mm TFE sheet shall be bonded directly to the top steel plate with a two-component, medium viscosity epoxy resin, conforming to the requirements of the Federal Specification MMM-A-134, Type I. The bond agent shall be applied on the full area of the contact surfaces.

Bonding of 3 mm TFE sheet during vulcanizing process will be permitted provided the process and method of adjusting assembly height is approved by the Engineer.



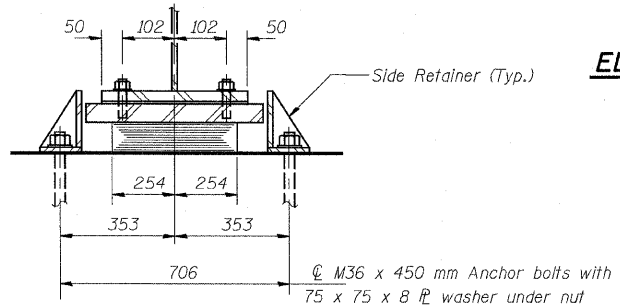
SECTION C-C
PIER 15 (UNIT IV)



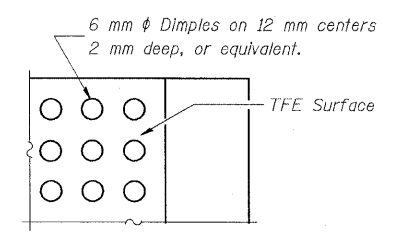
SIDE RETAINER

Equivalent rolled angle with stiffeners will be allowed in lieu of welded plates.

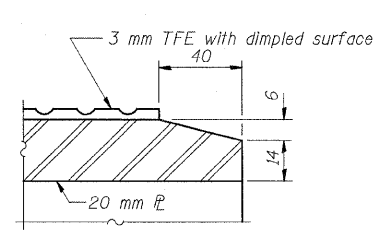
	PIER 15	PIER 17	N.ABUT.
y	60	70	54
z	120	140	100
t	14	16	14
h	38	44	30
H	125	155	140



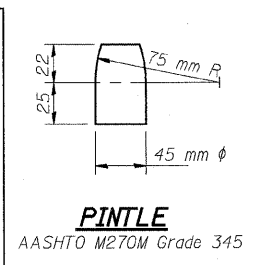
SECTION A-A



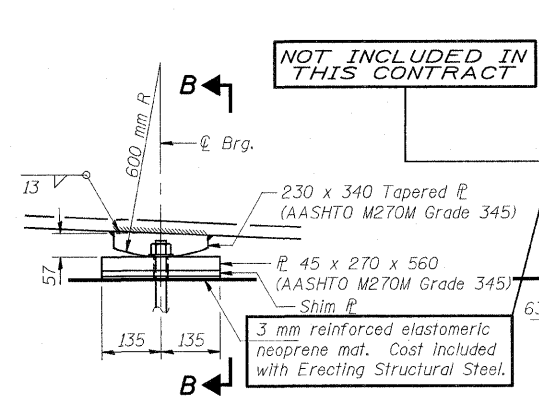
PLAN-TFE SURFACE



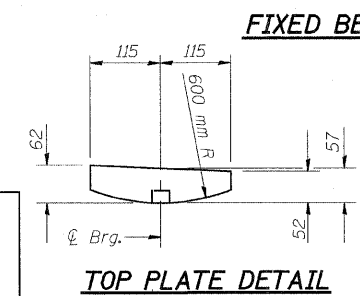
SECTION THRU TFE



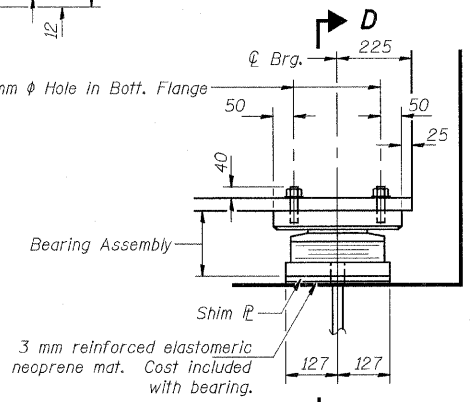
PINTLE
AASHTO M270M Grade 345



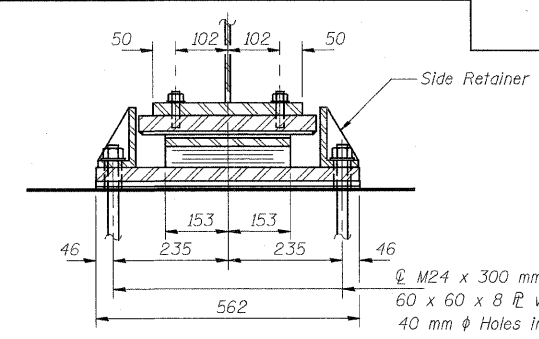
ELEVATION AT PIER 16
FIXED BEARING



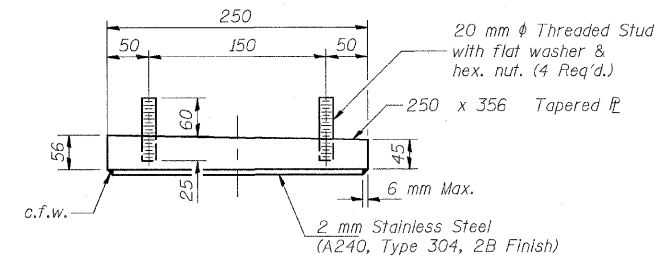
TOP PLATE DETAIL



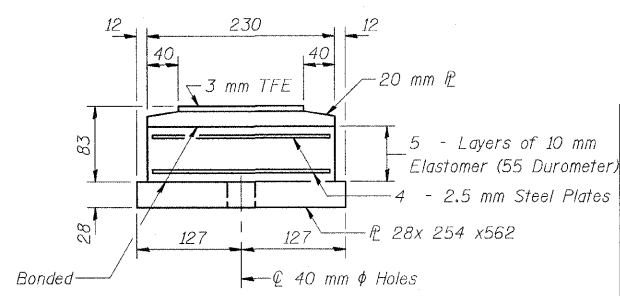
ELEVATION AT NORTH ABUT.
TYPE II ELASTOMERIC EXP. BRG.



SECTION D-D



TOP BEARING ASSEMBLY



BOTTOM BEARING ASSEMBLY

BILL OF MATERIAL

Item	Unit	Total
Elastomeric Bearing Assembly Type I	Each	20
Elastomeric Bearing Assembly Type II	Each	10
Anchor Bolts, M24	Each	20
Anchor Bolts, M30	Each	20
Anchor Bolts, M36	Each	40

FOR INFORMATION ONLY

NOTES

- Anchor bolts at fixed bearings may be built into the masonry.
- See sheet SA46 for Anchor Bolt installation.
- See sheet SA40 for Setting Anchor Bolts at Expansion Bearing.
- All dimensions are in millimeters (mm) except as noted.
- Side retainers and other steel members required for the bearing assembly shall be included in the cost of Elastomeric Bearing Assembly, Type I or II.

REVISIONS	NAME	DATE

ILLINOIS DEPARTMENT OF TRANSPORTATION
BEARING DETAILS - UNIT IV
PIERS 15, 16, 17 AND NORTH ABUTMENT
SOUTHWEST HIGHWAY OVER
B&O RAILROAD AND STONY CREEK
FAU 3578 SECTION 15 VB-1-F
STRUCTURE NUMBER 016-2771
COOK COUNTY STATION 4+716.497
SCALE: NONE DRAWN BY: E. Mroozek
DATE: MAY 22, 2009 CHECKED BY: A. Yargloogu

jvermillion(Rdwy_Lisle) 10:38:18 PM
 c:\pilot\95566_a0\drawings\struct\Fabrication\plans\45_FAB_brgs_Unit IV.dgn