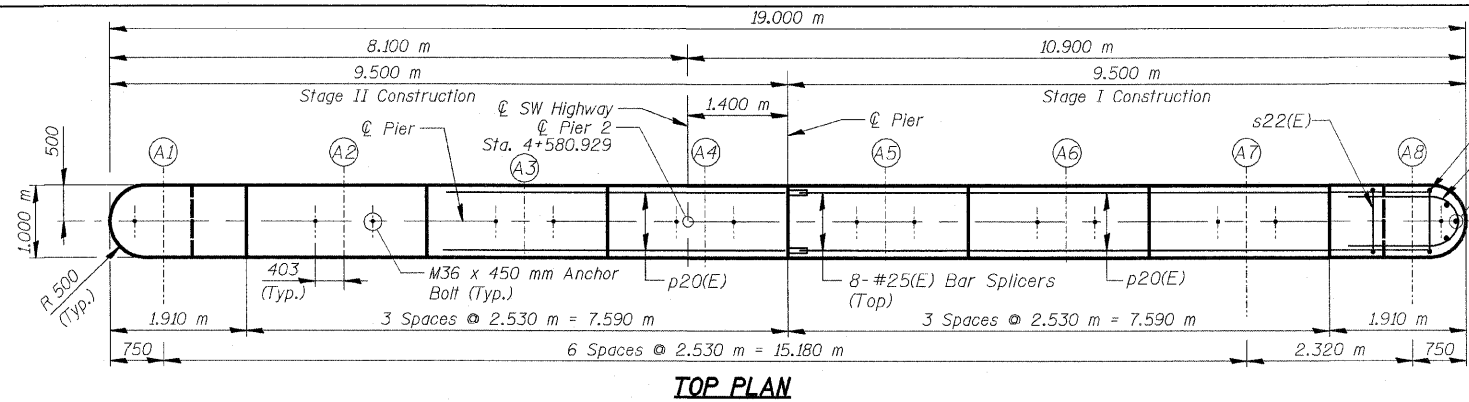
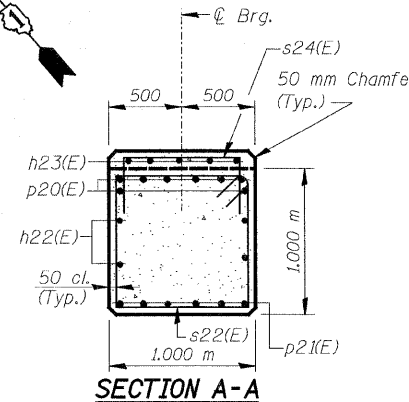


NOTES:
 Space Reinforcement in cap to miss anchor bolts.
 All edges shall have standard 20 mm chamfer except as noted.
 Four steps monolithically with cap.

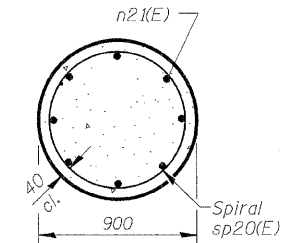
TYP. LAP SPLICE	
BAR SIZE	MIN. LAP
#15	890 mm
#20	1,110 m
#25	1,850 m



TOP PLAN

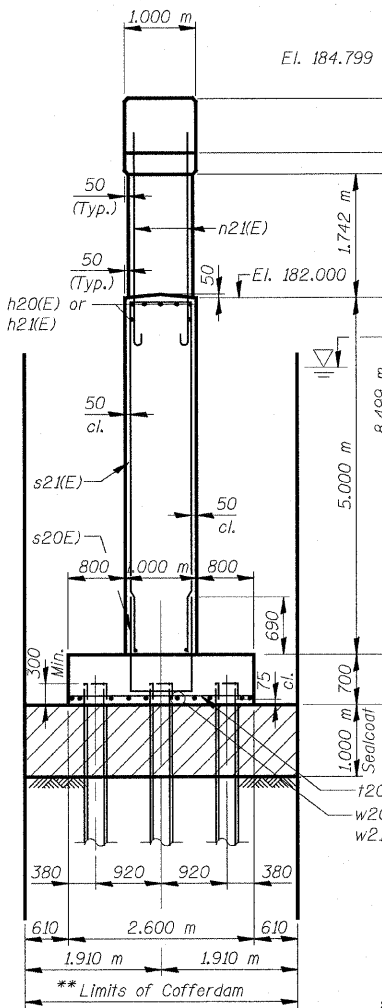


SECTION A-A



SECTION B-B

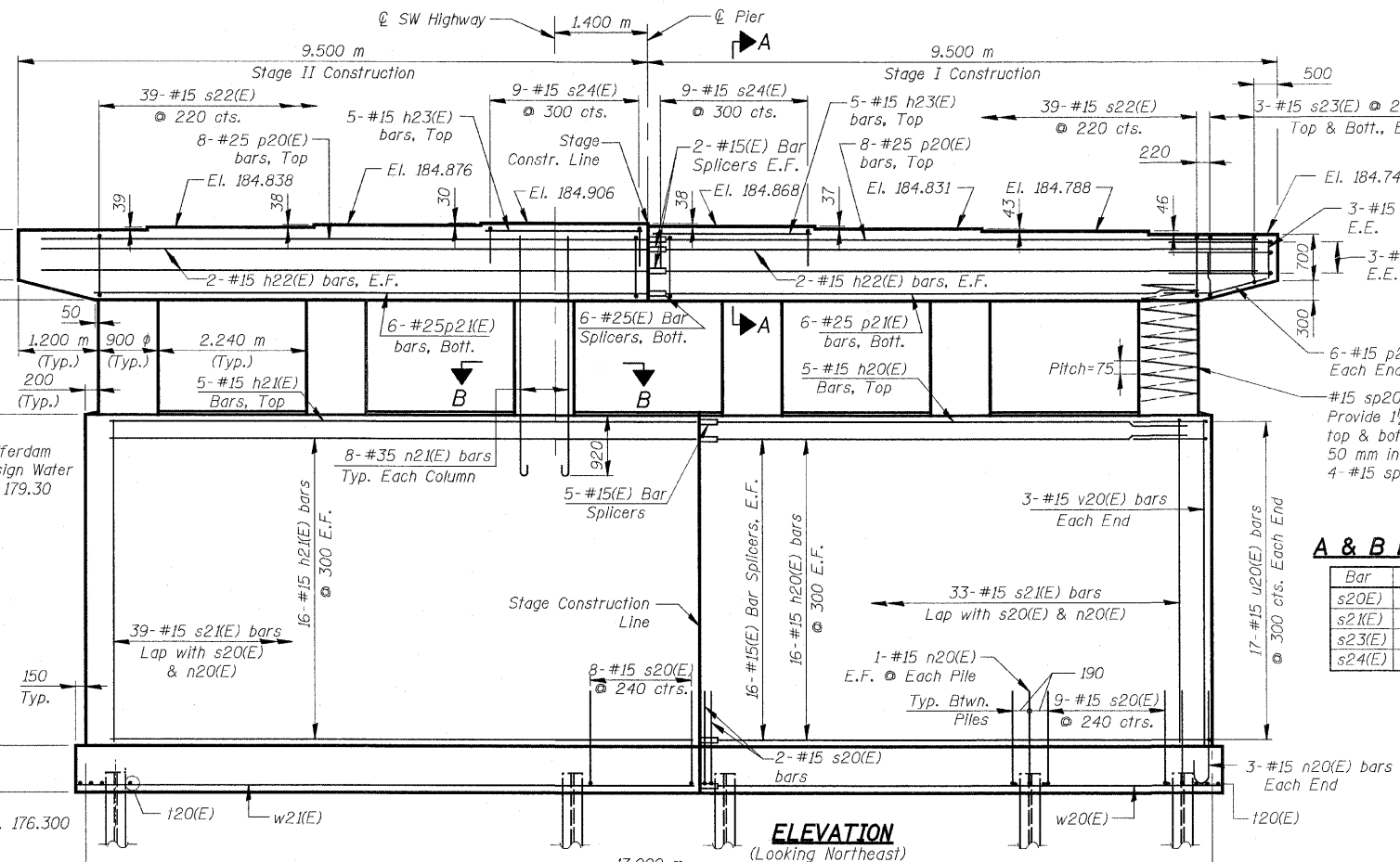
** The bottom of the cofferdam shall be at EL. 172.19 or lower. The cofferdam shall have a minimum section modulus of 492,000 mm³/m.



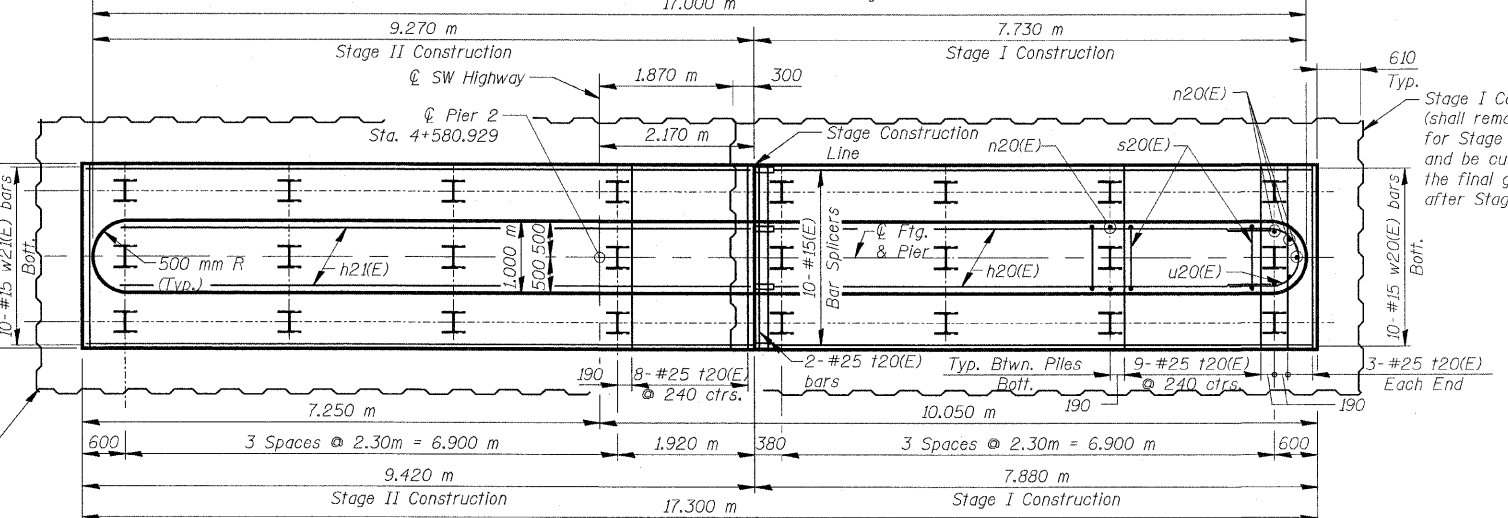
END VIEW

PILE DATA

Type: Steel HP 12x53 with pile shoes
 Nominal Required Bearing: 1860 kN
 Allowable Resistance Available: 573 kN
 Est. Length: 9.5 m
 No. Production Piles: 24
 No. Test Piles: None



ELEVATION (Looking Northeast)



FOOTING PLAN

F.A.U. RTE.	SECTION	COUNTY	TOTAL SHEETS	SHEET NO.
3578	15 VB-1-F	COOK	62	51
STA. TO STA.		FED. AID PROJECT		
FED. ROAD DIST. NO.		ILLINOIS		
CONTRACT NO. 60H54				

BILL OF MATERIAL

Bar	No.	Size	Length (m)	Shape
h20(E)	37	# 15	7.180	—
h21(E)	37	# 15	8.720	—
h22(E)	8	# 15	8.950	—
h23(E)	10	# 15	2.430	—
n20(E)	22	# 15	1.480	—
n21(E)	48	# 35	3.920	—
p20(E)	16	# 25	8.950	—
p21(E)	12	# 25	8.300	—
p22(E)	12	# 15	1.830	—
s20(E)	64	# 15	3.500	—
s21(E)	72	# 15	10.800	—
s22(E)	78	# 15	3.880	—
s23(E)	12	# 15	2.400	—
s24(E)	18	# 15	1.800	—
sp20(E)	6	# 15	*1.790	—
t20(E)	70	# 25	2.500	—
u20(E)	34	# 15	3.150	—
u21(E)	6	# 20	3.590	—
v20(E)	6	# 15	4.950	—
v21(E)	6	# 15	0.600	—
w20(E)	10	# 15	7.780	—
w21(E)	10	# 15	9.320	—
Cofferdam Excavation		m ³	204	
Cofferdam (Location-1)		Each	1	
Concrete Structures		m ³	143.4	
Seal Coat Concrete		m ³	70.7	
Reinforcement Bars, Epoxy Coated		kg	7,680	
Bar Splicers		Each	65	
Furnishing Steel Piles		m	228.0	
HP310x79		m	228.0	
Driving Piles		m	228.0	
Pile Shoes		Each	24	

* Height of spiral

A & B DIMENSIONS

Bar	A	B
s20(E)	900	1.30 m
s21(E)	900	4.950 m
s23(E)	900	750
s24(E)	900	450

BARS n20(E) & n21(E)

BAR p22(E)

BARS s20(E), s21(E), s23(E) & s24(E)

BAR s22(E)

BARS u20(E) & u21(E)

NOTES:

1. Reinforcement bars designated (E) shall be Epoxy Coated.
2. Bars indicated thus 20 x 3 - #15 etc. indicates 20 lines of bars with 3 lengths per line.
3. All dimensions are in millimeters (mm) except as noted.
4. Minimum lap for spirals 770 mm.

REVISIONS	
NAME	DATE

ILLINOIS DEPARTMENT OF TRANSPORTATION
PIER 2
SOUTHWEST HIGHWAY OVER
B&O RAILROAD AND STONY CREEK
 FAU 3578 SECTION 15 VB-1-F
 STRUCTURE NUMBER 016-2171
 COOK COUNTY STATION 4+716.497
 SCALE: NONE DRAWN BY: E. Mroozek
 DATE: MAY 22, 2009 CHECKED BY: G. Hattestad

FOR INFORMATION ONLY