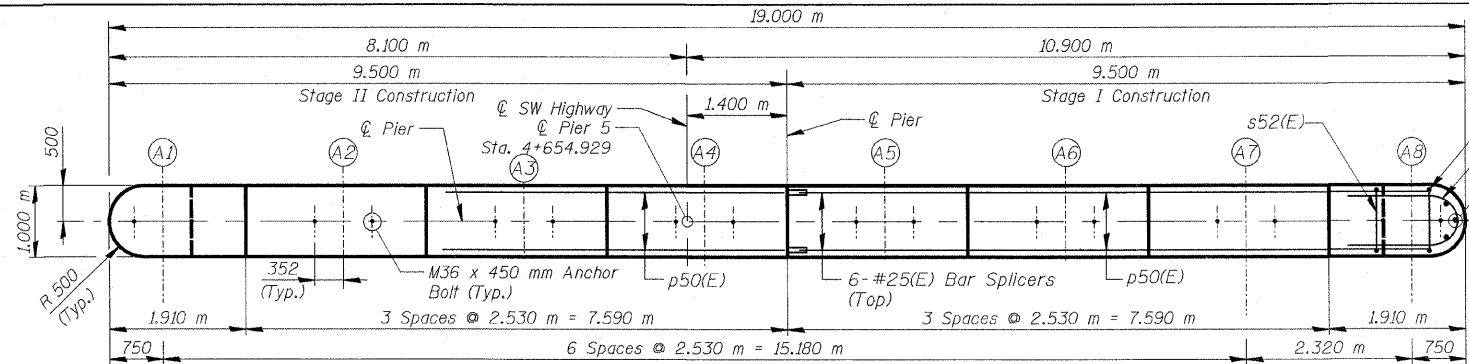


NOTES:
 Space Reinforcement in cap to miss anchor bolts.
 All edges shall have standard 20 mm chamfer except as noted.
 Four steps monolithically with cap.

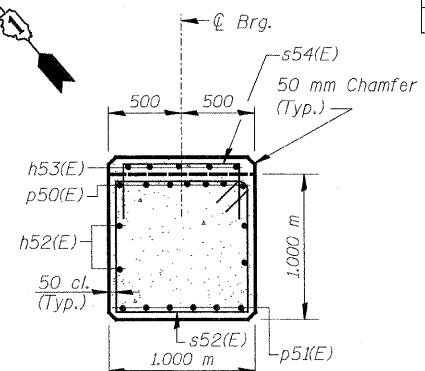
TYP. LAP SPLICE	
BAR SIZE	MIN. LAP
#15	890 mm
#20	1.110 m
#25	1.850 m

NOTE: Use a min. lap splice of 640 for w50(E) & w51(E) bars

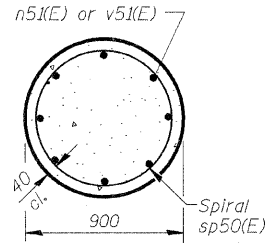
F.A.J. RTE.	SECTION	COUNTY	TOTAL SHEETS	SHEET NO.
3578	15 VB-1-F	COOK	62	54
STA.	TO STA.			
FED. ROAD DIST. NO.	ILLINOIS	FED. AID PROJECT		
		CONTRACT NO. 60H54		



TOP PLAN



SECTION A-A

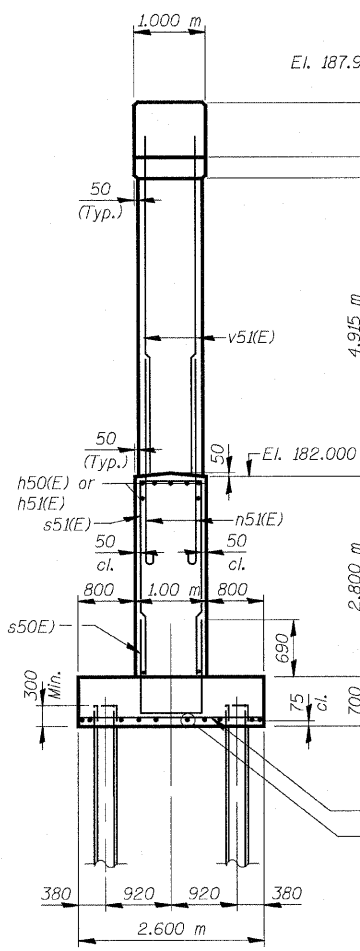


SECTION B-B

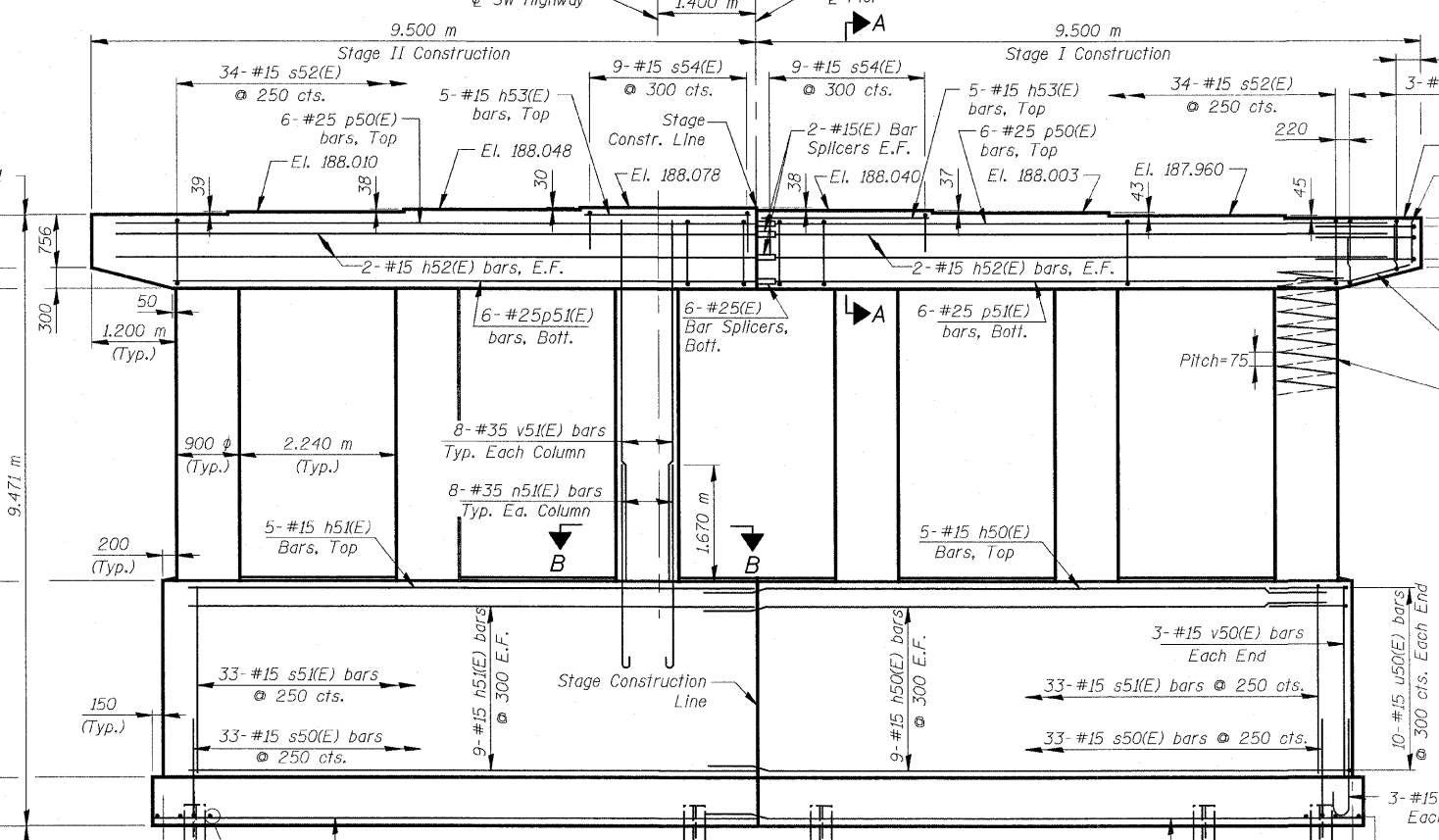
BILL OF MATERIAL

Bar	No.	Size	Length (m)	Shape
h50(E)	23	#15	8,940	—
h51(E)	23	#15	7,950	—
h52(E)	8	#15	8,950	—
h53(E)	10	#15	2,430	—
n50(E)	6	#15	1,480	—
n51(E)	48	#35	3,050	—
p50(E)	12	#25	8,950	—
p51(E)	12	#25	8,300	—
p52(E)	12	#15	1,830	—
s50(E)	66	#15	3,500	—
s51(E)	66	#15	6,400	—
s52(E)	68	#15	3,880	—
s53(E)	12	#15	2,400	—
s54(E)	18	#15	1,800	—
sp50(E)	6	#15	* 4,970	—
150(E)	68	#25	2,500	—
u50(E)	20	#15	3,150	—
u51(E)	6	#20	3,590	—
v50(E)	6	#15	2,750	—
v51(E)	48	#35	5,720	—
v52(E)	6	#15	0,600	—
w50(E)	10	#15	9,290	—
w51(E)	10	#15	8,550	—
Structure Excavation		m ³	95	
Concrete Structures		m ³	118.1	
Reinforcement Bars, Epoxy Coated		kg	9,420	
Bar Splicers		Each	16	
Furnishing Steel Piles HP310x79		m	209.0	
Driving Piles		m	209.0	
Test Pile Steel HP310x79		Each	1	
Pile Shoes		Each	20	

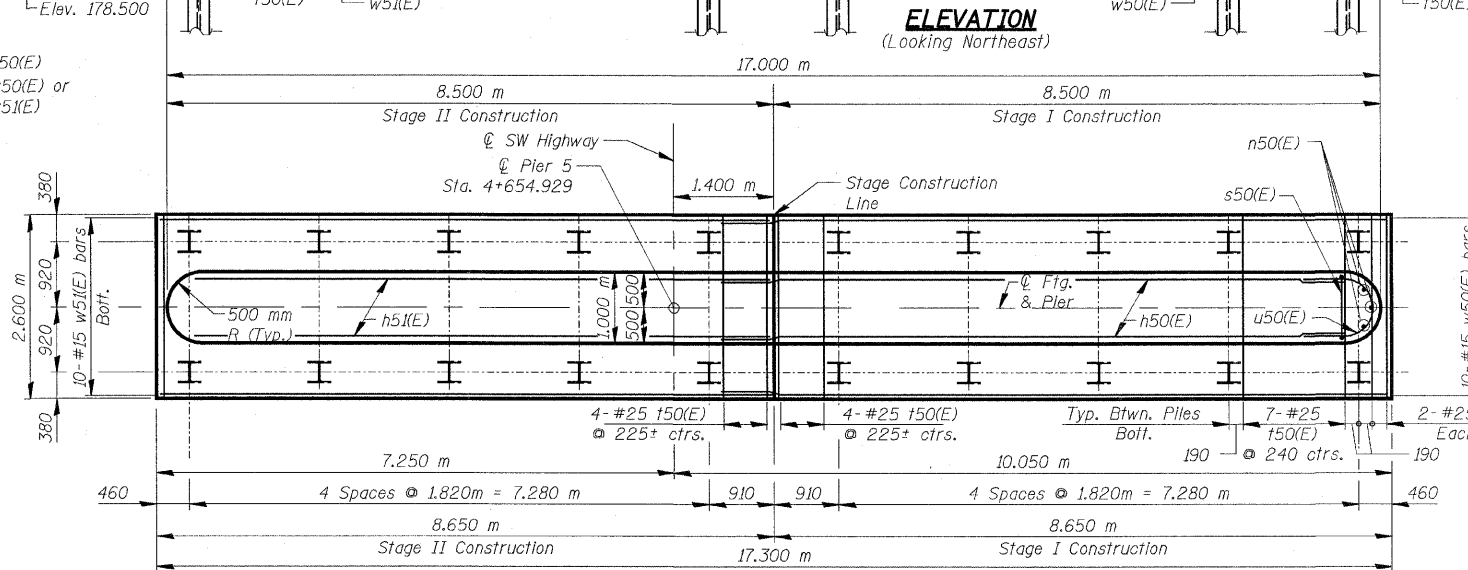
* Height of spiral



END VIEW



ELEVATION (Looking Northeast)



FOOTING PLAN

A & B DIMENSIONS

Bar	A	B
s50(E)	900	1,300 m
s51(E)	900	2,750 m
s53(E)	900	750
s54(E)	900	450

BARS n50(E) & n51(E)

BAR p52(E)

BARS s50(E), s51(E), s53(E) & s54(E)

BAR s52(E)

BARS u50(E) & u51(E)

PILE DATA
 Type: Steel HP 12x53 with pile shoes
 Nominal Required Bearing: 1860 kN
 Allowable Resistance Available: 620 kN
 Est. Length: 11.0 m
 No. Production Piles: 19
 No. Test Piles: 1



REVISIONS	
NAME	DATE

ILLINOIS DEPARTMENT OF TRANSPORTATION
PIER 5
SOUTHWEST HIGHWAY OVER
B&O RAILROAD AND STONY CREEK
 FAU 3578 SECTION 15 VB-1-F
 STRUCTURE NUMBER 016-2771
 COOK COUNTY STATION 4+716.497
 SCALE: NONE DRAWN BY: E. Mroozek
 DATE: MAY 22, 2009 CHECKED BY: G. Hatstead

FOR INFORMATION ONLY