

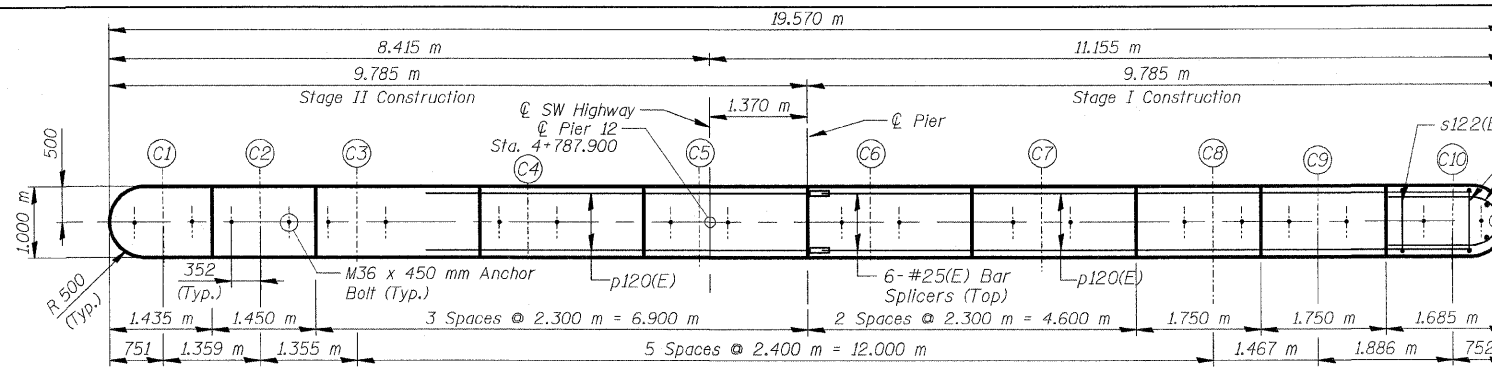
F.A.U. RTE.	SECTION	COUNTY	TOTAL SHEETS	SHEET NO.
3578	15 VB-1-F	COOK	62	57
STA.		TO STA.		
FED. ROAD DIST. NO.		ILLINOIS FED. AID PROJECT		
		CONTRACT NO. 60H54		

NOTES:

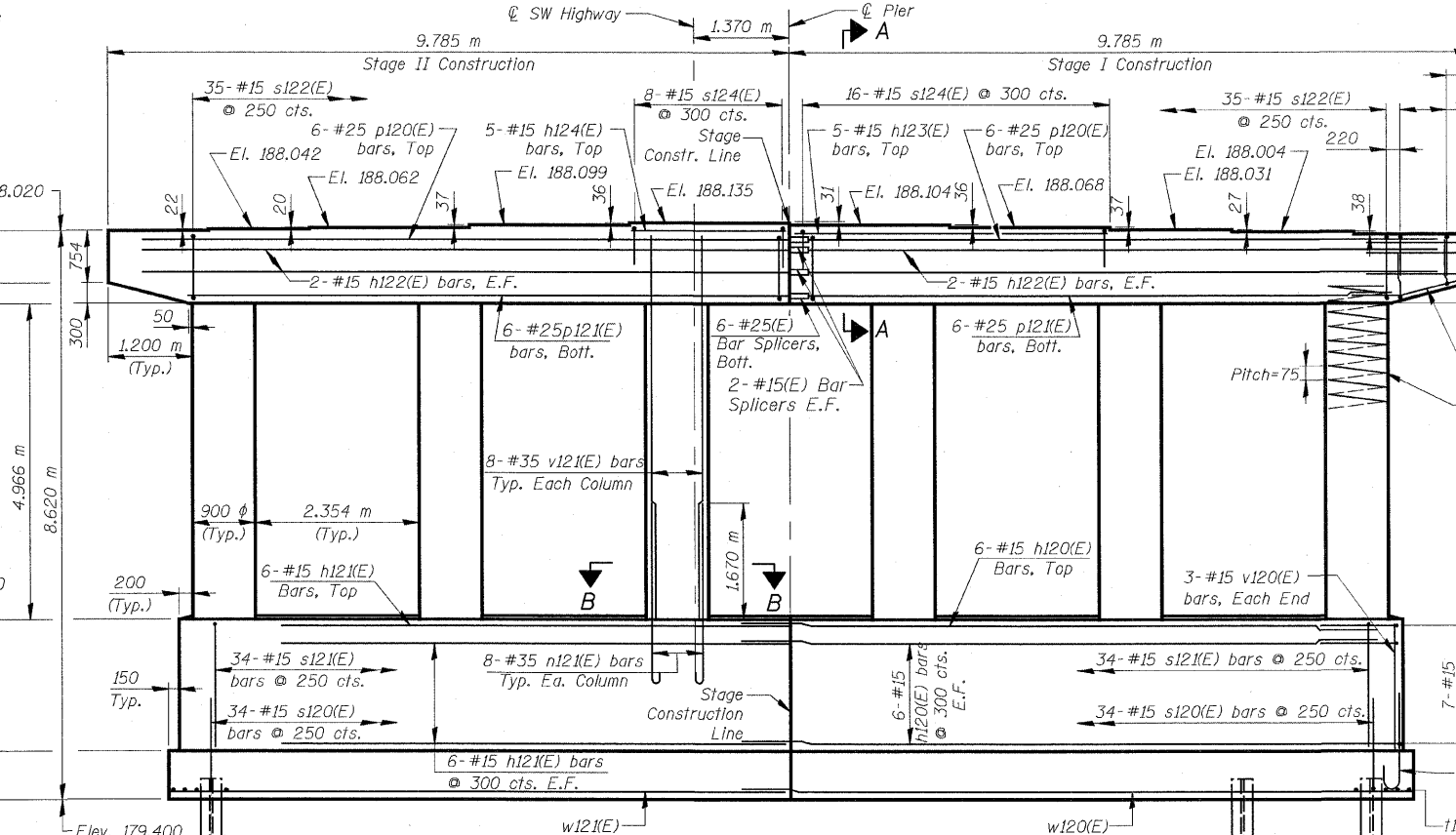
Space Reinforcement in cap to miss anchor bolts.
All edges shall have standard 20 mm chamfer except as noted.
Four steps monolithically with cap.

TYP. LAP SPLICE	
BAR SIZE	MIN. LAP
#15	890 mm
#20	1,110 m
#25	1,850 m

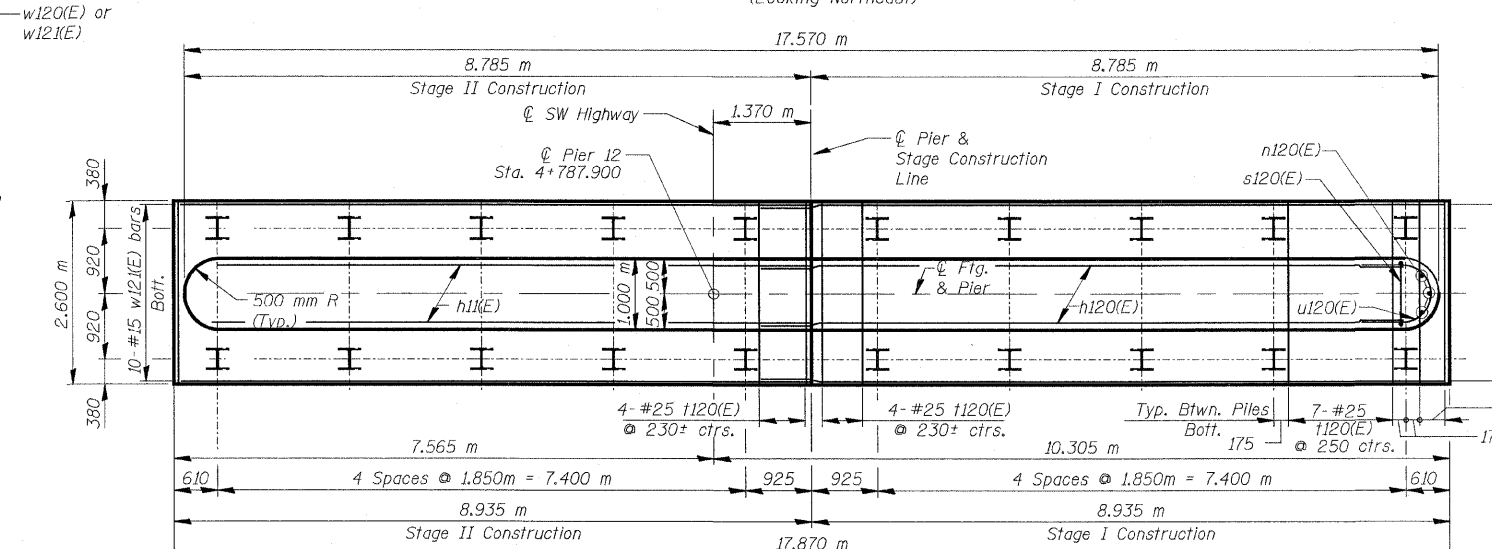
NOTE: Use a min. lap splice of 640 for w120(E) & w121(E) bars



TOP PLAN



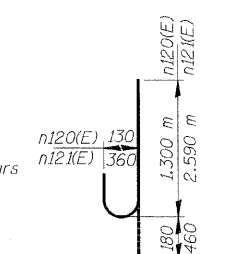
ELEVATION (Looking Northeast)



FOOTING PLAN

SHEET SA58 of SA110

SECTION A-A



SECTION B-B

BILL OF MATERIAL

Bar	No.	Size	Length (m)	Shape
h120(E)	18	#15	9,230	—
h121(E)	18	#15	8,240	—
h122(E)	8	#15	9,240	—
h123(E)	5	#15	4,500	—
h124(E)	5	#15	2,200	—
n120(E)	6	#15	1,480	—
n121(E)	48	#35	3,050	—
p120(E)	12	#25	9,240	—
p121(E)	12	#25	8,590	—
p122(E)	12	#15	1,830	—
s120(E)	68	#15	3,500	□
s121(E)	68	#15	4,600	□
s122(E)	70	#15	3,880	□
s123(E)	12	#15	2,400	□
s124(E)	24	#15	1,800	□
sp120(E)	6	#15	* 5,020	⋈
t120(E)	70	#25	2,500	—
u120(E)	14	#15	3,150	—
u121(E)	6	#20	3,590	—
v120(E)	6	#15	1,850	—
v121(E)	48	#35	5,770	—
v122(E)	6	#15	0,600	—
w120(E)	10	#15	9,580	—
w121(E)	10	#15	8,840	—
Structure Excavation			m ³	110
Concrete Structures			m ³	105.5
Reinforcement Bars, Epoxy Coated			kg	9,240
Bar Splicers			Each	16
Furnishing Steel Piles HP310x79			m	123.5
Driving Piles			m	123.5
Test Pile Steel HP310x79			Each	1
Pile Shoes			Each	20

* Height of spiral

BARS n120(E) & n121(E)

BAR p122(E)

BARS s120(E), s121(E), s123(E) & s124(E)

A & B DIMENSIONS

Bar	A	B
s120(E)	900	1,300 m
s121(E)	900	1,850 m
s123(E)	900	750
s124(E)	900	450

BAR s122(E)

BAR u120(E) & u121(E)

NOTES:

- Reinforcement bars designated (E) shall be Epoxy Coated.
- Bars indicated thus 20 x 3 - #15 etc. indicates 20 lines of bars with 3 lengths per line.
- All dimensions are in millimeters (mm) except as noted.
- Minimum lap for spirals 770 mm.

REVISIONS	
NAME	DATE

ILLINOIS DEPARTMENT OF TRANSPORTATION
PIER 12
SOUTHWEST HIGHWAY OVER
B&O RAILROAD AND STONY CREEK
FAU 3578 SECTION 15 VB-1-F
STRUCTURE NUMBER 016-2771
COOK COUNTY STATION 4+716.497
SCALE: NONE DRAWN BY: E. Mroozek
DATE: MAY 22, 2009 CHECKED BY: G. Hattestad

FOR INFORMATION ONLY

J:\vermillion\rawy.L\islie\5/29/2009 10:40 PM
 c:\dot\9556_c0\drawings\structure\fabrication_plans\58_FAB_Pier_12.dgn

