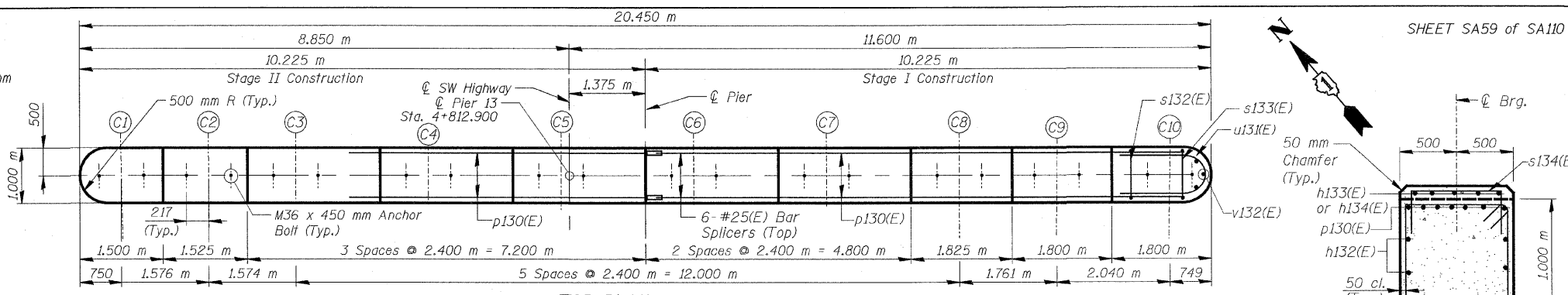


F.A.U. RTE.	SECTION	COUNTY	TOTAL SHEETS NO.	SHEET
3578	15 VB-1-F	COOK	62	58
STA.	TO STA.		FED. AID PROJECT	
			CONTRACT NO. 60H54	

**NOTES:**  
 Space Reinforcement in cap to miss anchor bolts.  
 All edges shall have standard 20 mm chamfer except as noted.  
 Four steps monolithically with cap.

BAR SIZE	MIN. LAP
#15	890 mm
#20	1.110 m
#25	1.850 m



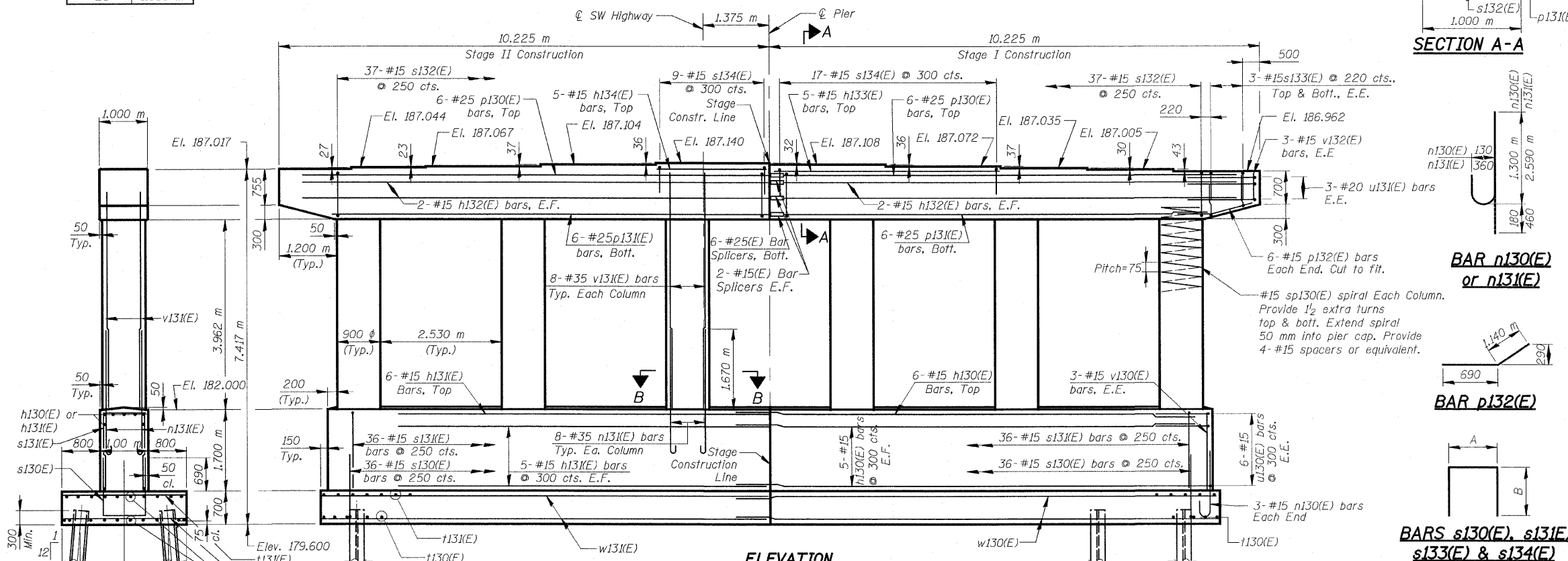
**TOP PLAN**

**SECTION A-A**

**SECTION B-B**

**BILL OF MATERIAL**

Bar	No.	Size	Length (m)	Shape
n130(E)	16	#15	9.670	—
h131(E)	16	#15	8.680	—
h132(E)	8	#15	9.680	—
h133(E)	5	#15	4.700	—
h134(E)	5	#15	2.300	—
n130(E)	6	#15	1.480	—
n131(E)	48	#35	3.050	—
p130(E)	12	#25	9.680	—
p131(E)	12	#25	9.030	—
p132(E)	12	#15	1.830	—
s130(E)	72	#15	3.500	—
s131(E)	72	#15	4.200	—
s132(E)	74	#15	3.880	—
s133(E)	12	#15	2.400	—
s134(E)	26	#15	1.800	—
sp130(E)	6	#15	* 4.010	—
h130(E)	78	#25	2.500	—
h131(E)	76	#15	2.500	—
u130(E)	12	#15	3.150	—
u131(E)	6	#20	3.590	—
v130(E)	6	#15	1.650	—
v131(E)	48	#35	4.760	—
v132(E)	6	#15	0.600	—
w130(E)	20	#15	10.270	—
w131(E)	20	#15	9.280	—
Structure Excavation			m <sup>3</sup>	118
Concrete Structures			m <sup>3</sup>	102.6
Reinforcement Bars, Epoxy Coated			kg	8,950
Bar Splicers			Each	16
Furnishing Steel Piles HP310x79			m	247.0
Driving Piles			m	247.0
Pile Shoes			Each	20
Test Pile Steel HP310x79			Each	1



**ELEVATION (Looking Northeast)**

**BAR n130(E) or n131(E)**

**BAR p132(E)**

**BARS s130(E), s131(E), s133(E) & s134(E)**

**A & B DIMENSIONS**

Bar	A	B
s130(E)	900	1,300 m
s131(E)	900	1,650 m
s133(E)	900	750
s134(E)	900	450

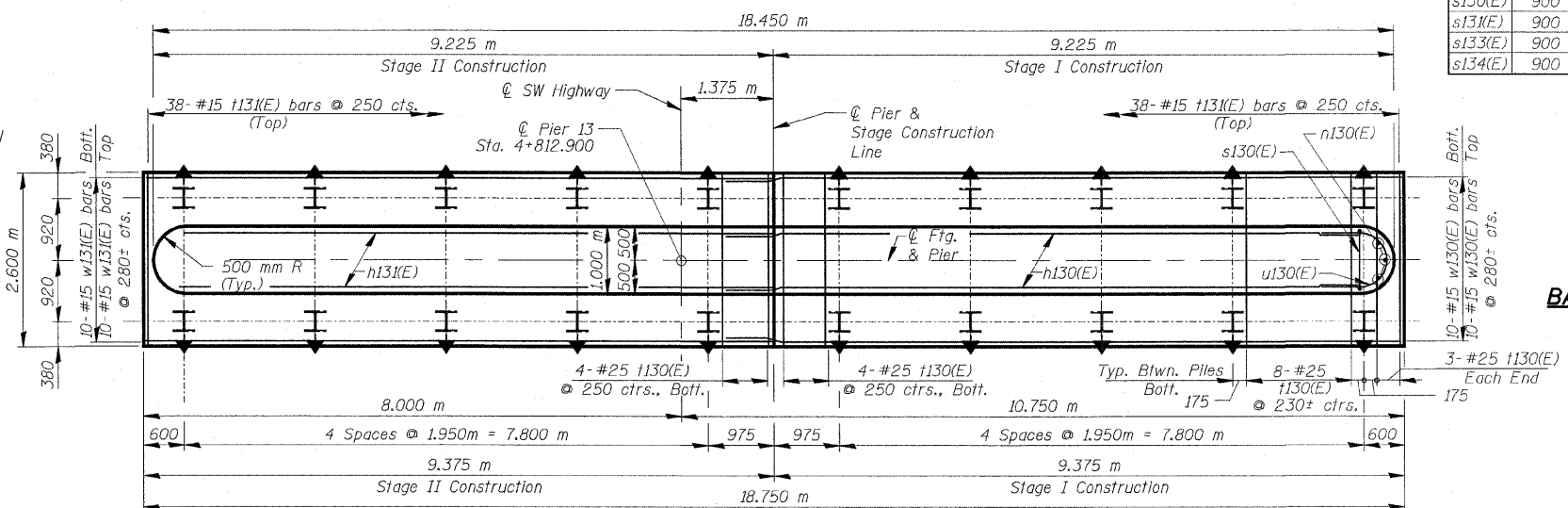
**BAR s132(E)**

**BAR u130(E) & u131(E)**

**END VIEW**

**PILE DATA**

Type: Steel HP 12x53 with pile shoes  
 Nominal Required Bearing: 1860 kN  
 Allowable Resistance Available: 620 kN  
 Est. Length: 13.0 m  
 No. Production Piles: 19  
 No. Test Piles: 1



**FOOTING PLAN**

**REVISIONS**

NAME	DATE

**ILLINOIS DEPARTMENT OF TRANSPORTATION**  
**PIER 13**  
**SOUTHWEST HIGHWAY OVER**  
**B&O RAILROAD AND STONY CREEK**  
 FAU 3578 SECTION 15 VB-1-F  
 STRUCTURE NUMBER 016-2771  
 COOK COUNTY STATION 4+716.497  
 SCALE: NONE DRAWN BY: E. Mroozek  
 DATE: MAY 22, 2009 CHECKED BY: G. Hotteled

FOR INFORMATION ONLY

Ver:millions(Rawy\_Lisle) 5/29/2009  
 q:\1dof\9556-ad\drawings\struct\fabr\constr\p13\p13.dgn  
 PATRICK ENGINEERING INC. LISLE, ILLINOIS