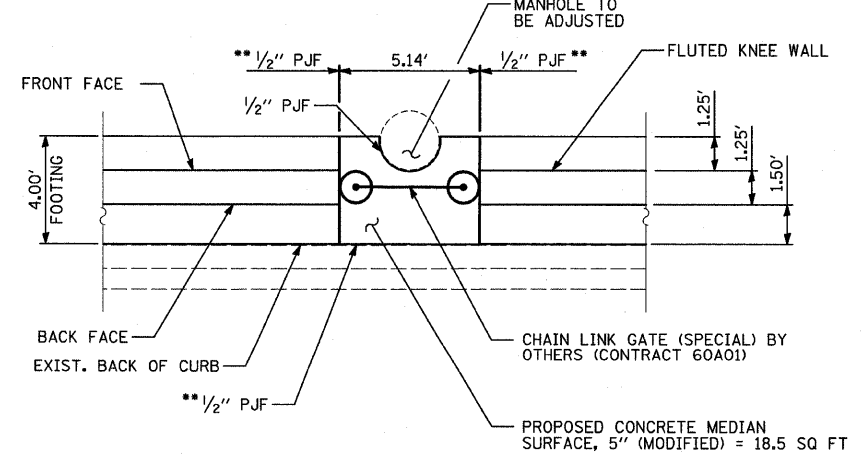
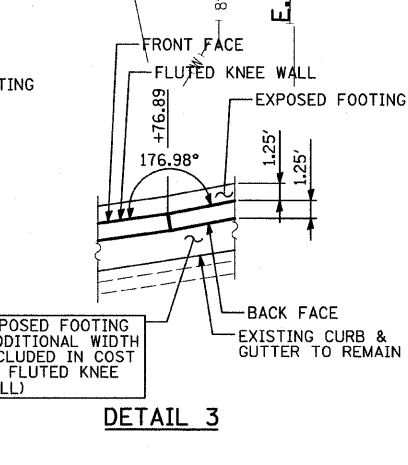
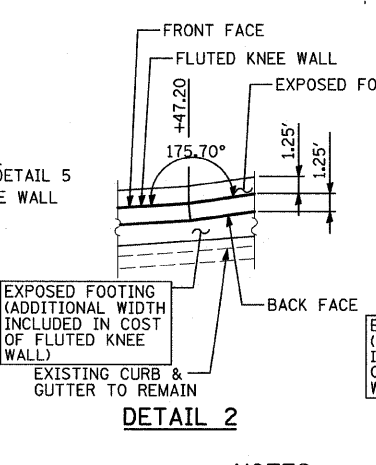
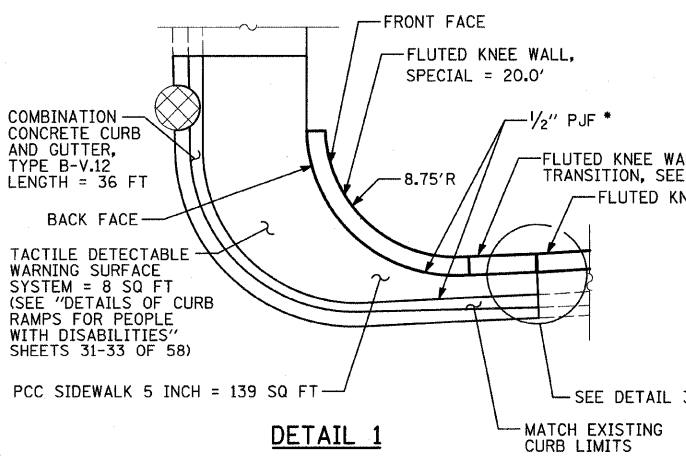
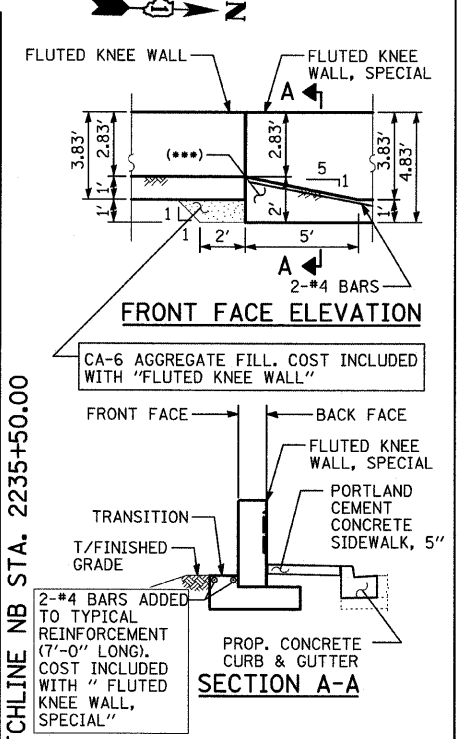
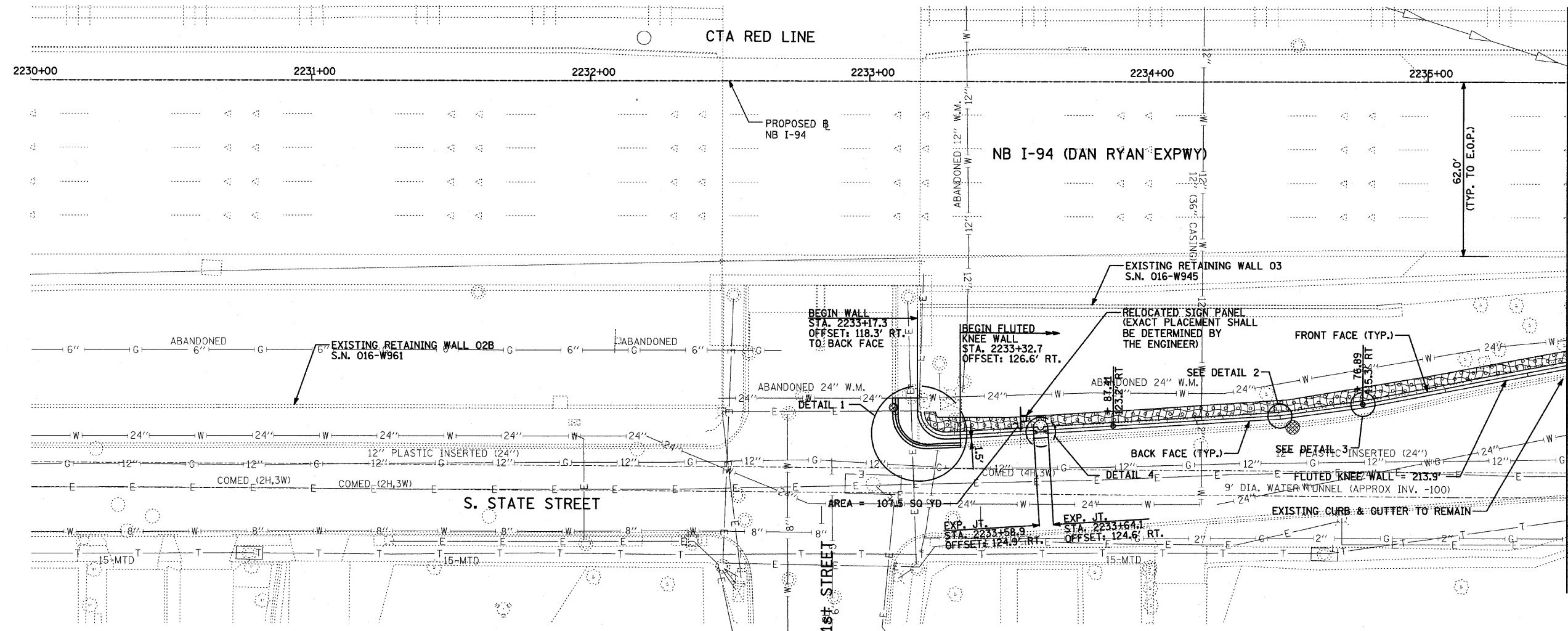


F.A.I. RTE.	SECTION	COUNTY	TOTAL SHEETS	SHEET NO.
94	1516.1 I-7	COOK	58	23
STA. 2212+06.20		TO STA. 2243+03.23		
FED. ROAD DIST. NO.	ILLINOIS FED. AID PROJECT		62971	

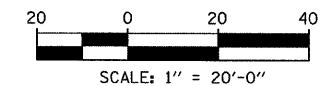
\*\*\*ADDITIONAL CONCRETE AT FOOTING TRANSITION. COST INCLUDED WITH "FLUTED KNEE WALL, SPECIAL"



**LEGEND:**

- EROSION CONTROL BLANKET, SEEDING, CLASS 2A, NITROGEN, PHOSPHORUS, AND POTASSIUM FERTILIZER NUTRIENTS, TOPSOIL FURNISH AND PLACE, 4"
- EROSION CONTROL BLANKET, SEEDING, CLASS 2A, NITROGEN, PHOSPHORUS, AND POTASSIUM FERTILIZER NUTRIENTS, TOPSOIL FURNISH AND PLACE, 12" COMPOST FURNISH AND PLACE, 6"
- INLET FILTER, TO BE INSTALLED IN OFF PROJECT DRAINAGE STRUCTURES ACCEPTING STORMWATER RUNOFF

**LOCATION MAP:** Shows the project location on Dan Ryan Expressway between 63rd and 95th streets.



- NOTES:**
- STATION AND OFFSET CALLOUTS ALONG THE LENGTH OF EITHER FLUTED KNEE WALL OR FLUTED KNEE WALL, SPECIAL ARE TAKEN FROM THE FRONT FACE SIDE AT PROPOSED EXPANSION JOINT LOCATIONS.
  - THE CONTRACTOR SHALL PROTECT AND USE CAUTION DURING CONSTRUCTION OPERATIONS AROUND ALL EXISTING PUBLIC OR PRIVATE UTILITY FACILITIES.

\* COST INCLUDED WITH "PCC SIDEWALK, 5 INCH"

\*\* COST INCLUDED WITH "CONCRETE MEDIAN SURFACE, 5\"/>

REVISIONS	
NAME	DATE

ILLINOIS DEPARTMENT OF TRANSPORTATION  
**F.A.I. 94 (DAN RYAN EXPRESSWAY)**  
**PROPOSED PLAN**  
**NB I-94 (DAN RYAN EXPRESSWAY)**  
**STA. 2230+00.00 TO 2235+50.00**  
 SCALE: 1"=20'  
 DATE: OCTOBER 17, 2008  
 DRAWN BY: AMB, MAF  
 CHECKED BY: TGB, MI

**TYLIN INTERNATIONAL**