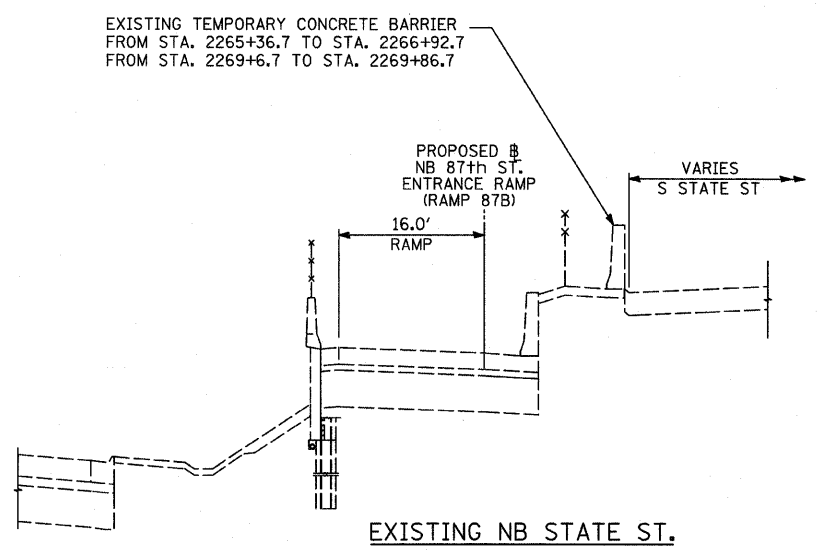


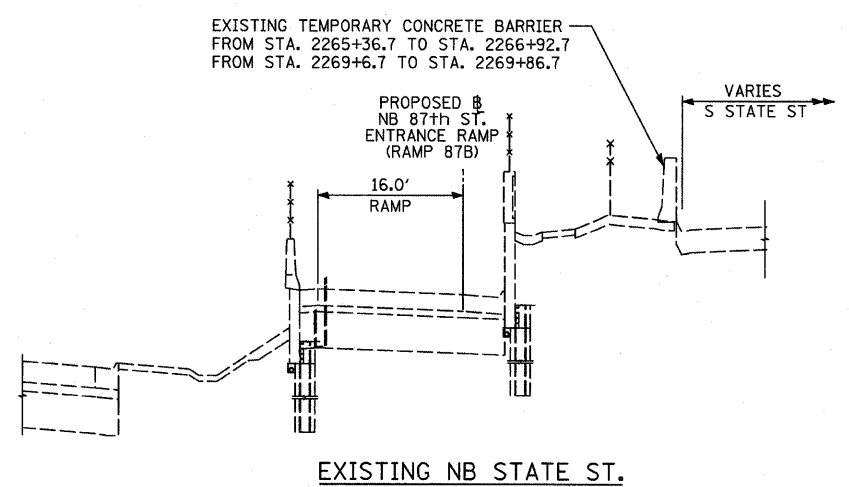
F.A.I. RTE.	SECTION	COUNTY	TOTAL SHEETS	SHEET NO.
94	1717 I-6	COOK	60	4
STA. 2265+32.63 TO STA. 2287+21.27		ILLINOIS FED. AID PROJECT		

62973

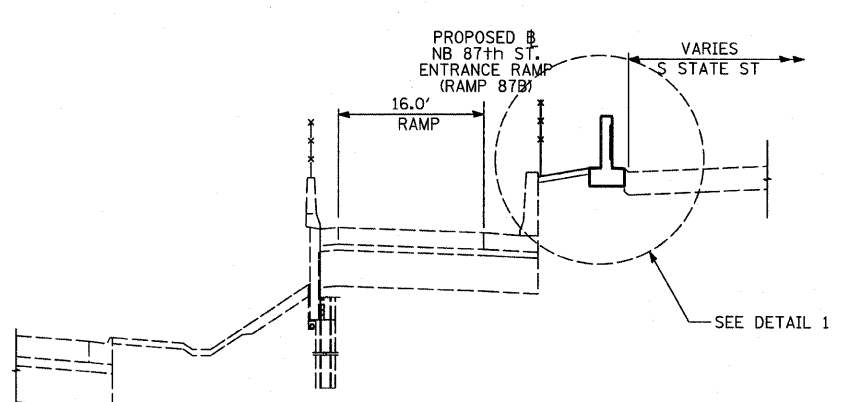
P:\0237\37road\2265+32.63\2287+21.27\3d.dgn 10/17/2008 10:28:24 AM



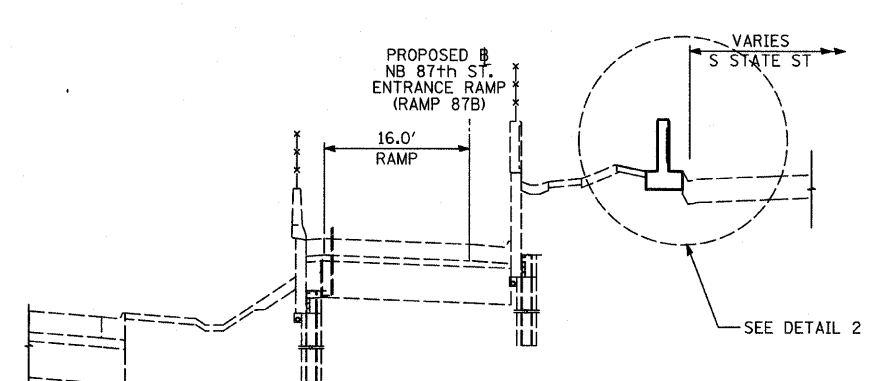
EXISTING NB STATE ST.



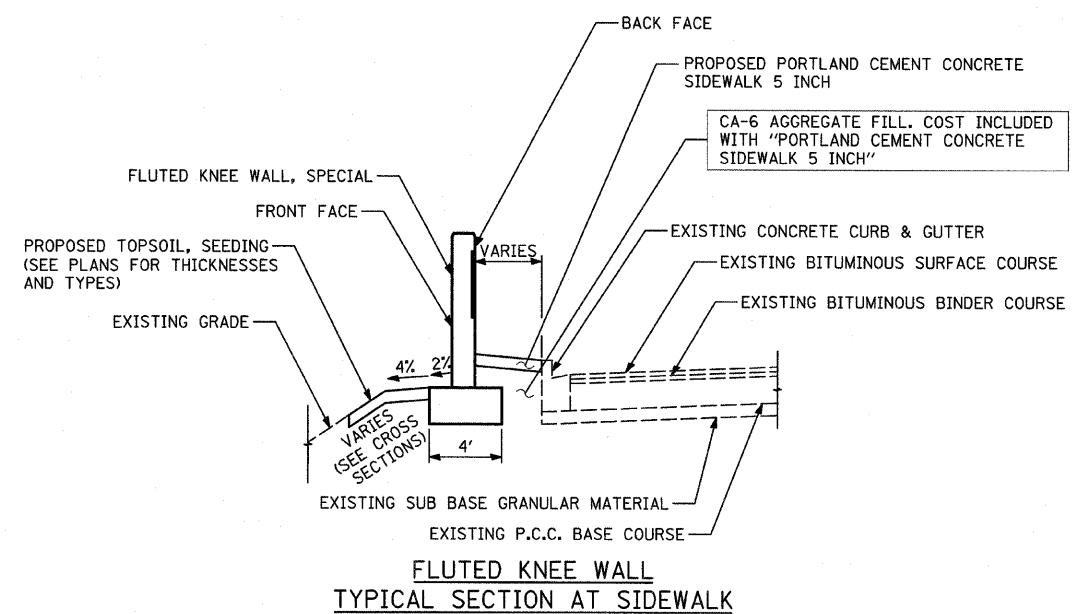
EXISTING NB STATE ST.



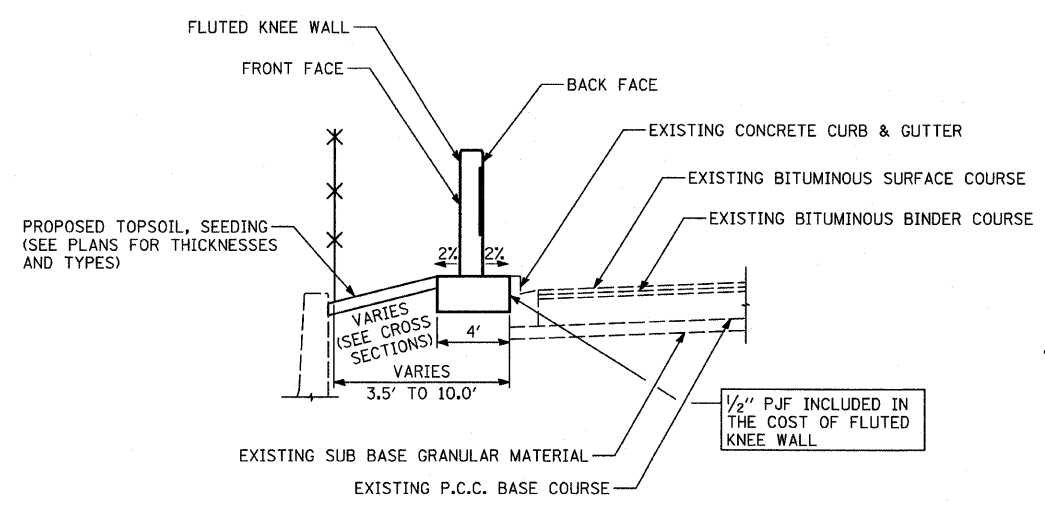
PROPOSED NB STATE ST.  
STA. 2265+36.7 TO STA. 2266+22.8



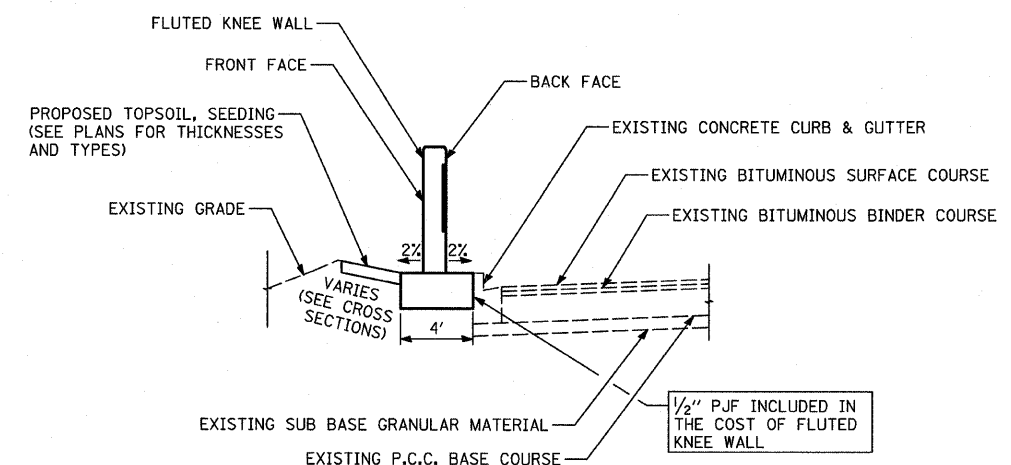
PROPOSED NB STATE ST.  
STA. 2266+22.8 TO STA. 2270+12.2



FLUTED KNEE WALL  
TYPICAL SECTION AT SIDEWALK



KNEE WALL DETAIL 1



KNEE WALL DETAIL 2

TYLIN INTERNATIONAL

REVISIONS	
NAME	DATE

ILLINOIS DEPARTMENT OF TRANSPORTATION  
F.A.I. 94 (DAN RYAN EXPRESSWAY)  
PROPOSED TYPICAL SECTIONS  
NB STATE ST.  
SCALE: NONE  
DATE: OCTOBER 17, 2008  
DRAWN BY: TB  
CHECKED BY: TGB, MI