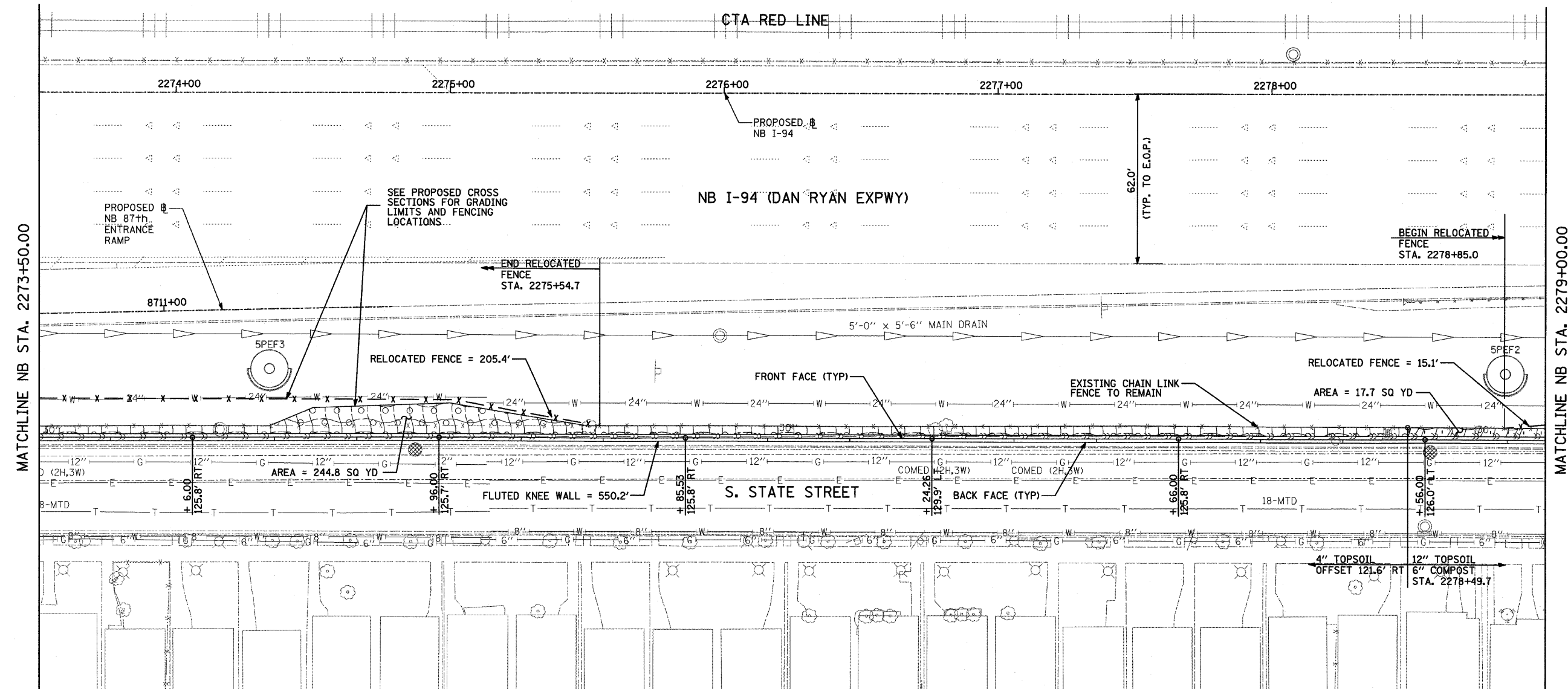
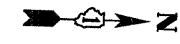


F.A.I. RTE.	SECTION	COUNTY	TOTAL SHEETS	SHEET NO.
94	1717 I-6	COOK	60	22
STA. 2265+32.63 TO STA. 2287+21.27				
FED. ROAD DIST. NO.		ILLINOIS FED. AID PROJECT		

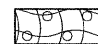

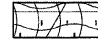

62973



MATCHLINE NB STA. 2273+50.00

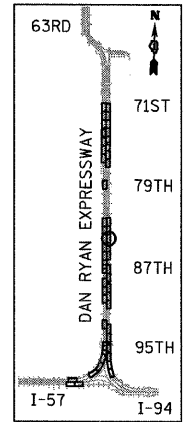
MATCHLINE NB STA. 2279+00.00

LEGEND:

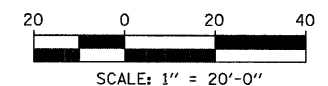
-  EROSION CONTROL BLANKET, SEEDING, CLASS 2A, NITROGEN, PHOSPHORUS, AND POTASSIUM FERTILIZER NUTRIENTS, TOPSOIL FURNISH AND PLACE, 4"
-  EROSION CONTROL BLANKET, SEEDING, CLASS 2A, NITROGEN, PHOSPHORUS, AND POTASSIUM FERTILIZER NUTRIENTS, TOPSOIL FURNISH AND PLACE, 12"
-  EROSION CONTROL BLANKET, SEEDING, CLASS 4 (MODIFIED), SEEDING, CLASS 5A (MODIFIED), TOPSOIL FURNISH AND PLACE, 12"
-  INLET FILTER

NOTES:

1. STATION AND OFFSET CALLOUTS ALONG THE LENGTH OF EITHER FLUTED KNEE WALL OR FLUTED KNEE WALL, SPECIAL ARE TAKEN FROM THE FRONT FACE SIDE AT PROPOSED EXPANSION JOINT LOCATIONS.
2. THE CONTRACTOR SHALL PROTECT AND USE CAUTION DURING CONSTRUCTION OPERATIONS AROUND ALL EXISTING PUBLIC AND PRIVATE UTILITY FACILITIES.



LOCATION MAP



SCALE: 1" = 20'-0"

REVISIONS	
NAME	DATE

ILLINOIS DEPARTMENT OF TRANSPORTATION
 F.A.I. 94 (DAN RYAN EXPRESSWAY)
PROPOSED PLAN
 NB I-94 (DAN RYAN EXPRESSWAY)
 STA. 2273+50.00 TO STA. 2279+00.00
 SCALE: 1"=20'
 DATE: OCTOBER 17, 2008
 DRAWN BY: AMB, MAF, TB
 CHECKED BY: TGB, MI

TYLIN INTERNATIONAL

10/17/2008 11:29:22 AM