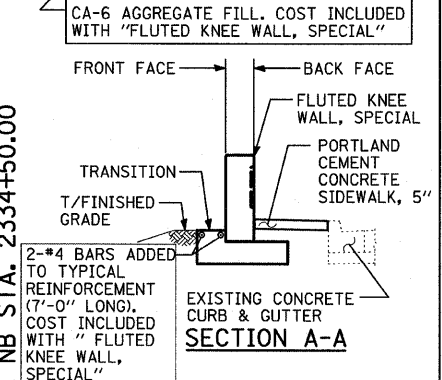
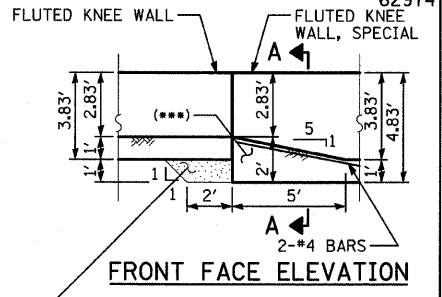
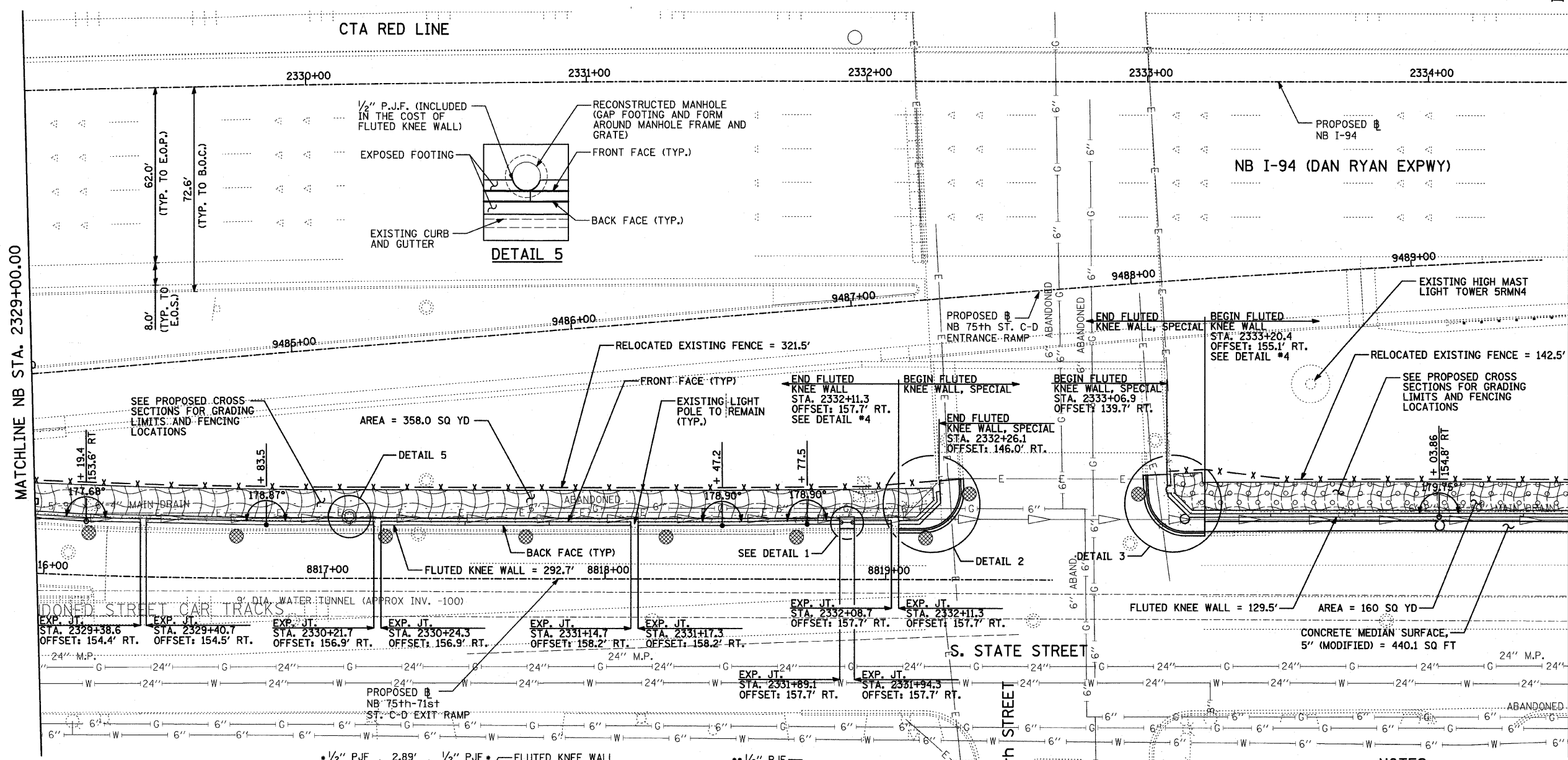
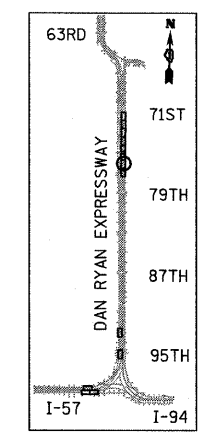


F.A.I. RTE.	SECTION	COUNTY	TOTAL SHEETS	SHEET NO.
94	1818 I-6	COOK	42	19
STA. 2327+79.39		TO STA. 2338+67.22		
FED. ROAD DIST. NO.	ILLINOIS FED. AID PROJECT		62974	

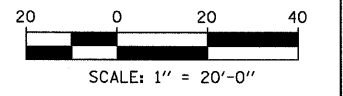
*** ADDITIONAL CONCRETE AT FOOTING TRANSITION, COST INCLUDED WITH "FLUTED KNEE WALL, SPECIAL"



SECTION A-A



LOCATION MAP



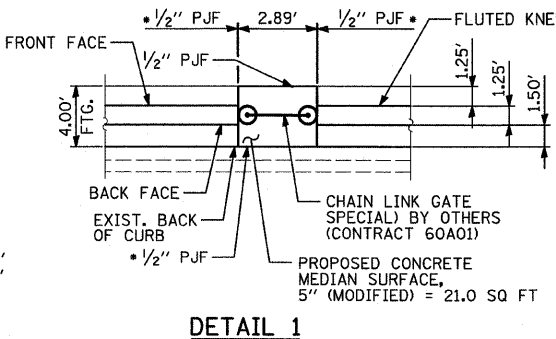
NOTES:

1. STATION AND OFFSET CALLOUTS ALONG THE LENGTH OF EITHER FLUTED KNEE WALL OR FLUTED KNEE WALL, SPECIAL ARE TAKEN FROM THE BACK FACE SIDE AT PROPOSED EXPANSION JOINT LOCATIONS.
2. THE CONTRACTOR SHALL PROTECT AND USE CAUTION DURING CONSTRUCTION OPERATIONS AROUND ALL EXISTING PUBLIC OR PRIVATE UTILITY FACILITIES.
3. ANY ADDITIONAL CONCRETE REQUIRED TO ADJUST THE STRUCTURE SHALL BE INCLUDED IN THE COST OF "CATCH BASINS TO BE ADJUSTED".

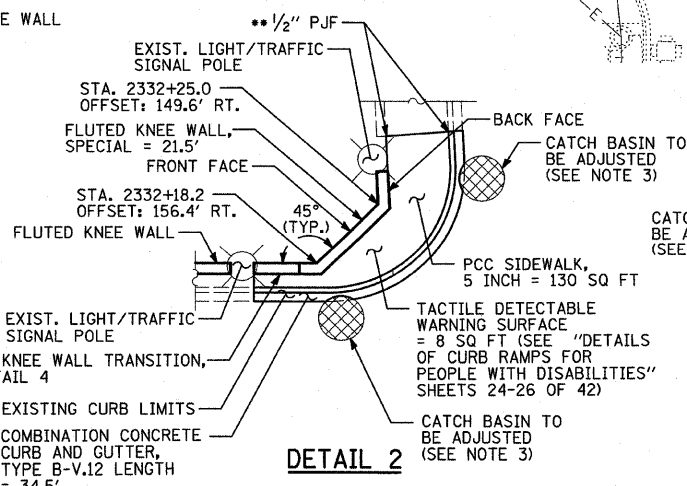
REVISIONS	
NAME	DATE

ILLINOIS DEPARTMENT OF TRANSPORTATION
 F.A.I. 94 (DAN RYAN EXPRESSWAY)
PROPOSED PLAN
 NB I-94 (DAN RYAN EXPRESSWAY)
 STA. 2329+00.00 TO 2334+50.00
 SCALE: 1"=20'
 DATE: FEBRUARY 13, 2009
 DRAWN BY: AMB, MAF, TB
 CHECKED BY: TGB, MI

- LEGEND:**
- EROSION CONTROL BLANKET, SEEDING, CLASS 2A, NITROGEN, PHOSPHORUS, AND POTASSIUM FERTILIZER NUTRIENTS, TOPSOIL FURNISH AND PLACE, 4"
 - EROSION CONTROL BLANKET, SEEDING, CLASS 2A, NITROGEN, PHOSPHORUS, AND POTASSIUM FERTILIZER NUTRIENTS, TOPSOIL FURNISH AND PLACE, 12"
 - INLET FILTER
 - CONSTRUCTION JOINT AT FLUTED KNEE WALL BEND
 - EXPANSION JOINT

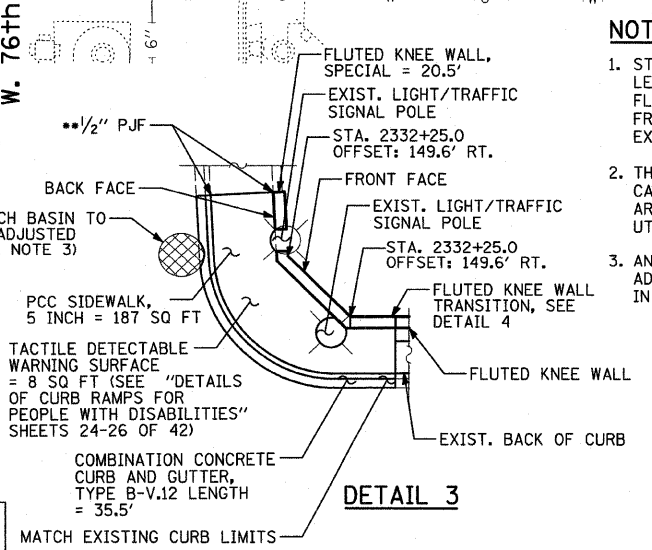


COST INCLUDED WITH "CONCRETE MEDIAN SURFACE, 5" (MODIFIED)"



DETAIL 2

COST INCLUDED WITH "PCC SIDEWALK, 5 INCH"



DETAIL 3

TYLIN INTERNATIONAL